



SERVING THE FOOD INDUSTRY SINCE 1951

BREAD SLICER WITH 1/2 HP MOTOR

Item: 21122 | Model: SB-TW-0016-S

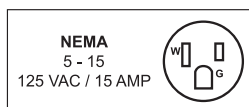


SLICE YOUR FRESH-BAKED BREAD EFFICIENTLY

Save time with Omcan's bread slicer. Perfect for bakeries, sandwich stores, and supermarkets. Powered and equipped with 1/2 HP motor, this machine is safety-protected by an interlocked safety loaf pusher system.



WARRANTY
PARTS AND LABOR



Authorized Dealer

FOOD EQUIPMENT

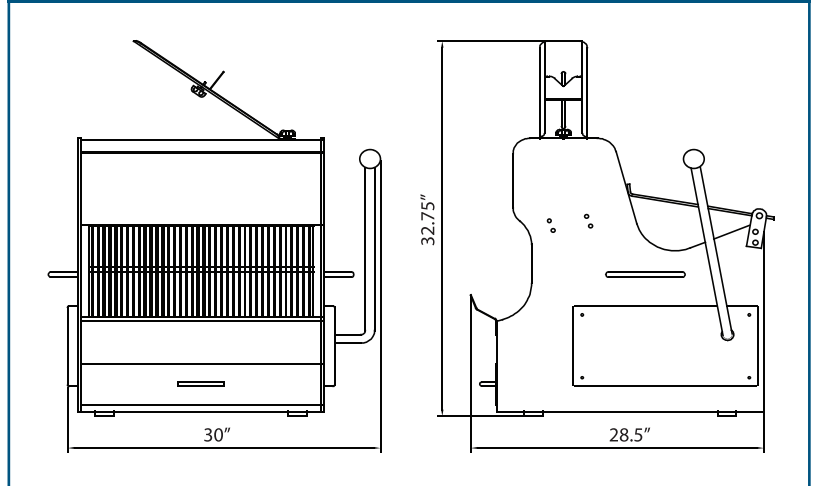
BREAD SLICER WITH 1/2 HP MOTOR SB-TW-0016 | 21122



Omcan's SB-TW-0016-S bread slicer is designed for shop counters. A safety guard device is designed especially for protecting the operator. A bread bagging shelf is provided for the operator to pack bread easily. Crumb drawer is fitted for collecting excess crumbs. Heavy duty construction blade frame makes evenly sliced bread.



TECHNICAL DRAWING AND DIMENSIONS

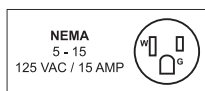


TECHNICAL SPECIFICATION

ITEM	21122
MODEL	SB-TW-0016-S
QUANTITY OF SLICING BLADES	26
SLICE THICKNESS (MM/IN)	16 mm / 5/8"
MAXIMUM LOAF LENGTH	15"
MOTOR	1/2 HP / 0.375 Kw
ELECTRICAL	120V/60Hz/1Ph
AMPS	8A
WEIGHT	115 kgs. / 253.5 lbs.
DIMENSIONS (DWH)	28.5" x 30" x 32.75" 724 x 762 x 832 mm
ADDITIONAL INFORMATION	In compliance with Province of Quebec safety standards



WARRANTY
PARTS AND LABOR



OMCAN INC.

Telephone: 1-800-465-0234

Fax: (905) 607-0234

Email: sales@omcan.com

Website: www.omcan.com



Follow us to keep up to date with the latest news and offers



2015.E.O.E