



Steamer Range

With the 22" Steampot on our 20" opening with extra supports, the Steamer range is insulated with high temperature fiber glass, for optimal water temperature retention. Add different adaptors for steaming, boiling, and blanching.



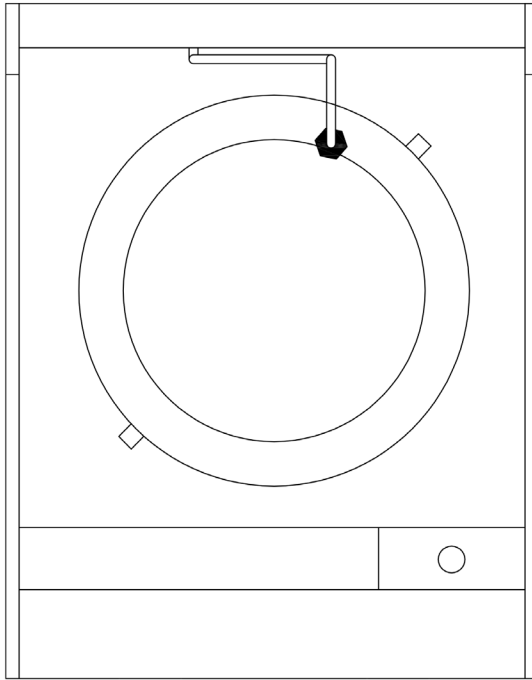
FEATURES

- Removable 22" steam pot with insulated fire chamber
- Can be used for boiling wonton, noodles, soups
- Add an adaptor for steaming dim sum
- Stainless steel front, top, backsplash and legs.
- Machine extruded wok opening neck for leak free top.
- Welded faucet connector for easy faucet change without hiring a professional plumber.
- Pull out garbage tray for easy cleaning. Easy removable front cover for servicing and maintenance.

MODEL

SPECIFICATIONS

SINGLE
STEAM
RANGE



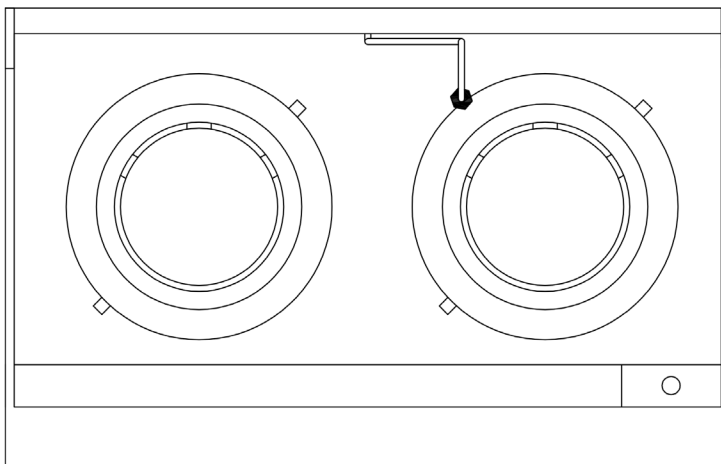
Standard size:
32" x 38" x 32" (H)

Cambo Faucet: 1

1x 22" Steam Pot,
20" Opening

Burner Type:
1 x 23 Jet

Total BTU:
140, 000 Nat. Gas



DOUBLE STEAM RANGE

Standard size:
60" x 38" x 32" (H)

Cambo Faucet: 1

2x 22" Steam Pot,
20" Opening

Burner Type:
2 x 23 Jet

Total BTU:
280, 000 Nat. Gas

**PROPANE AVAILABLE UPON REQUEST for all ranges appearing on this page*