

SERVER®

• E S S E N T I A L S •

Topping Warmer Food Server with Pump

SPECIFICATION SHEET

FAST FACTS

Precise temperature control, even heat and portioning ensure more warm dessert topping is served from each 3-qt jar, #10 topping can or 48-oz pouch with conversion kit.

APPLICATIONS

- Indulge your menu with heated dessert sauces like hot fudge, creamy caramel or white chocolate; served with consistent portions for the ideal presentation, every time
- Adaptable base converts to ladle-serve compotes and berry sauces or add your SignatureTouch™ with squeeze bottles

DETAILS

- The classic FSP stainless steel water-bath warmer and pump defines Server Essentials® in just 8-in of countertop
- Toppings and sauces are served at their peak flavor with a temperature-controlled thermostat to turn the wrap-around heating element on or off as needed
- Portion-control pump manages serving sizes of expensive ingredients; serve 1-oz max, adjustable in 1/8-oz increments
- Serve from a 3-qt Jar 94009 (recommended), #10 topping can or 48-oz topping pouch with Conversion Kit 81184
- Coordinate pump knob with store theme or contents within; specify color and text when ordering

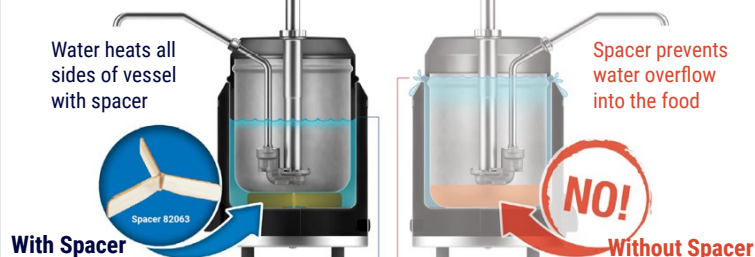


Thermostat Knob



Optional:
Squeeze
Bottle Inset
Kit 86819

Spacer 82063 (included)
Critical to Proper Operation



Optional: Stainless Steel Jar 94009
& Storage Lid 94008



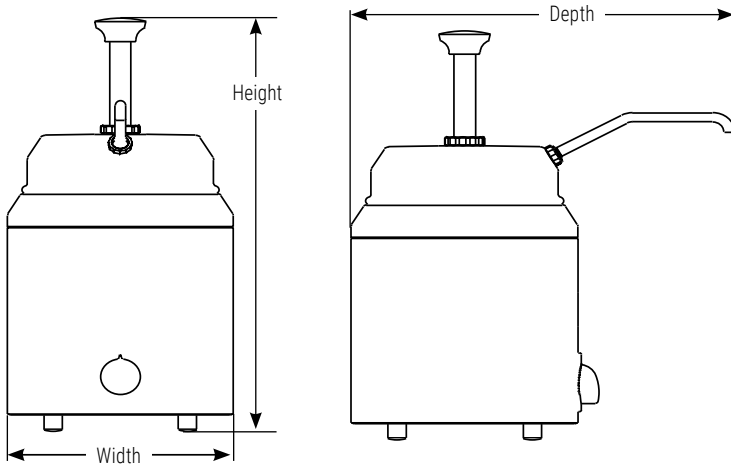
FSP 82060 Shown
with Can2Pouch™
Conversion Kit 81184



Even heating. Even better toppings.

TOPPING WARMER WITH PUMP MODEL: FSP

Server model FSP is a stainless steel, rethermalizing water-bath warmer with pump. An adjustable, temperature-sensing thermostat controls the 500-watt, wrap-around heating element, turning it off and on as needed. Temperature settings are marked on the thermostat knob and an ON/OFF rocker switch controls power. Unit dispenses from a #10 can, 3-qt stainless steel jar 94009 or can be converted to dispense from 48-oz pouches with Kit 81184 (jar and kit sold separately). Maximum portion yields 1-oz; reduces in 1/8-oz increments. 120V AC 4.2 A, 500-Watts, NEMA 5-15P plug with 72-in power cord. 2-Year warranty.



TOPPING WARMER WITH PUMP

order amt	model/item	description	capacity	dims (H x W x D)	plug	electrical	watts	weight
<input type="checkbox"/>	FSP 82060	topping warmer with pump	#10 can, 3-qt jar	15 3/4 x 7 3/4" x 13 1/16"		120 V AC 4.2 A	500	9 lb

ACCESSORY ITEMS

order amt	item	description
<input type="checkbox"/>	94009	stainless steel 3-qt jar
<input type="checkbox"/>	94008	abs plastic, jar storage lid
<input type="checkbox"/>	86819	squeeze bottle inset kit with (3) 16-oz, high-temp bottles
<input type="checkbox"/>	81184	Can2Pouch™ conversion kit

Convert for good.

Better for your budget and the environment – our simple pouch solutions keep up with today’s packaging evolution. You can still switch to the pouch with your current FSP warmer; no need to buy new.

- Purchase a reusable stainless steel jar (94009) and pour pouched toppings in
- If pouches have a fitment, purchase a pouch conversion kit (81184) to retrofit your pump – see how at [Can2Pouch.com](https://www.server-products.com/can2pouch).

82060 with 81184 kit

81184 kit

ADDING INDULGENCE TO YOUR MENU BEGINS WITH FSP
SERVER-PRODUCTS.COM | 1.800.558.8722