



FOOD-PROCESSOR - EMULSIFIER KE-8V

Bowl capacity: 8 lt. Variable speed.



- ✓ Appliance certified by NSF International (regulations on hygiene, cleaning and materials suitable for contact with foods).
- ✓ 100% tested.

INCLUDES

- ✓ Set of serrated blades.
- ✓ “Cut&mix” scraper.

OPTIONAL

- Smooth blades.
- Perforated blades.

ACCESSORIES

- Blades for CK / K / KE
- “Cut&mix” scrapers CK / K / KE

SPECIFICATIONS

Bowl capacity: 8 l
 Bowl dimensions: Ø240 mm x 199 mm
 Total loading: 1500 W
 Speed, min-max: 300 rpm - 3000 rpm

External dimensions (WxDxH)

- ✓ Width: 286 mm
 - ✓ Depth: 387 mm
 - ✓ Height: 517 mm
- Net weight: 18.9 Kg

Crated dimensions

440 x 355 x 570 mm
 Volume Packed: 0.09 m³
 Gross weight: 24.6 Kg

AVAILABLE MODELS

1050853 Cutter-Emulsifier KE-8V 230/50-60/1

1050855 Cutter-Emulsifier KE-8V 120/50-60/1

* Ask for special versions availability

SALES DESCRIPTION

To cut, grind, mix and knead any food in seconds.
 Brushless technology: maximum efficiency.

Equipped with “brushless” technology: powerful and efficient motors.

- ✓ Maximum efficiency: maintain the torque throughout the speed range.
- ✓ Exclusive “force control system”: guarantee of a uniform and high quality result.
- ✓ Lightweight and compact design: they weigh less, they occupy less space.
- ✓ Improved air/water-tightness since no ventilation is required.
- ✓ They generate less noise: improved workplace environment.

Efficiency and performance

- ✓ Possibility of programming by time and pulse button.
- ✓ Reverse function, ideal for mixing products instead of cutting.
- ✓ 8 litre stainless steel hopper.
- ✓ Polycarbonate lid with built-in “cut&mix” mixer.
- ✓ Depending on the purpose, the possibility of using optional smooth or perforated blades.
- ✓ Built-in programs and option to customize programs for recipe standardization.

Built to last

- ✓ Robust construction of stainless steel and food-grade materials of the highest quality: stainless steel motor block with aluminium lid. Stainless steel hopper with highly-resistant polycarbonate lid.

Maximum comfort for the user

- ✓ Advanced control panel that is very intuitive to use and offers all the information at a glance.

Maintenance, safety, hygiene

- ✓ Safety microswitches on the hopper and lid position.

DYNAMIC PREPARATION
CUTTER-MIXERS & EMULSIFIERS

product sheet
updated 16/02/2023



SAMMIC, S.L.
Bassate, 1 - 20729 Azzovita
www.sammic.com

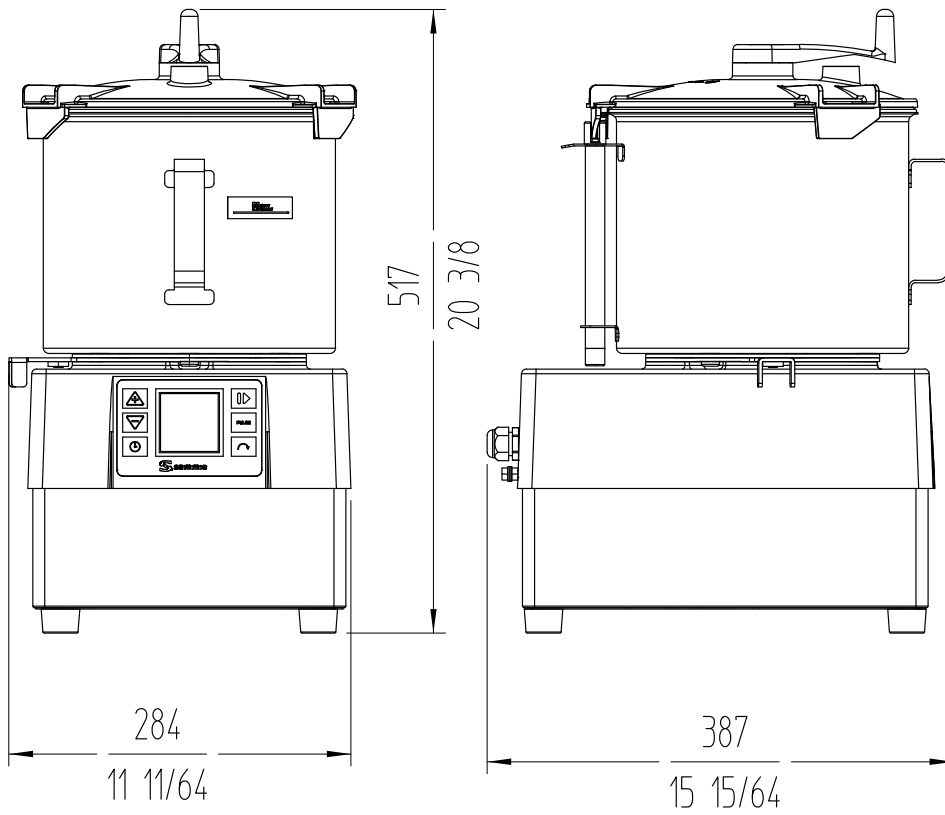


FOOD-PROCESSOR - EMULSIFIER KE-8V

Bowl capacity: 8 lt. Variable speed.



DYNAMIC PREPARATION
CUTTER-MIXERS & EMULSIFIERS



sammic | www.sammic.com
Food Service Equipment Manufacturer
Polígono Basarte, 1. phone +34 943 15 72 36
20720 Azkoitia, Spain sales@sammic.com



Project	Date
Item	Qty
Approved	

product sheet
updated 16/02/2023