

MD2000HT

High Temperature
Door-type Dishwashing Machine



SPECIFIER STATEMENT

Specified unit will be Moyer Diebel model MD2000HT high temperature door-type dishwashing machine. Features 1 Hp pump motor, top mounted splash proof controls, Rinse Sentry, auto start and interchangeable upper and lower spray arms.

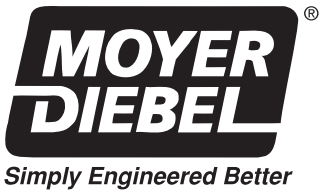


STANDARD FEATURES

- Convertible from straight to corner operation in field
- Built-in booster configured for 40° and 70° rise
- Built-in diagnostics
- 208/240 volt; 1/3 phase (field convertible)
- Straight through or corner operation
- Capacity 55 racks per hour/60-second cycle
- Uses .90 gallons of water – wash is replenished by final rinse for less water and detergent usage
- Interchangeable stainless steel upper/lower wash rinse arms
- Door safety switch
- Door activated start
- Rinse Sentry
- Detergent chemical connection
- Vent fan control
- Automatic drain valve
- Complete with two 20" x 20" racks, one peg and one flat
- One year parts and labor warranty

OPTIONS & ACCESSORIES

- Drain Water Tempering Kit
- Side Panel

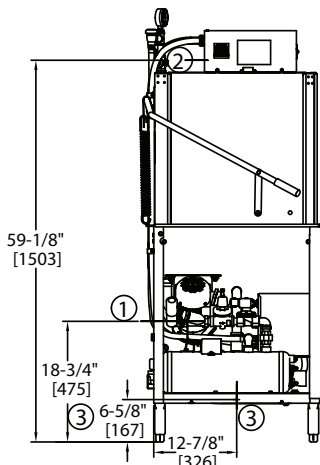


MD2000HT

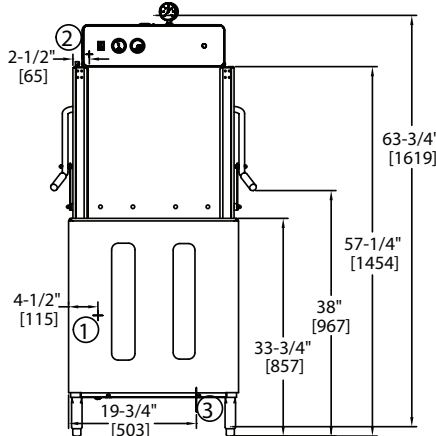
High Temperature
Door-type Dishwashing Machine

Shipping weight crated: 218 lbs.

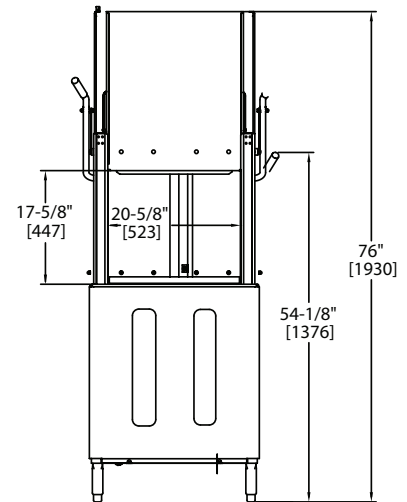
Dimensions shown in inches [mm]



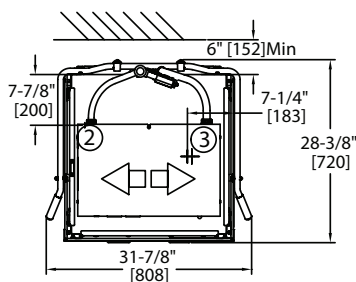
Side View



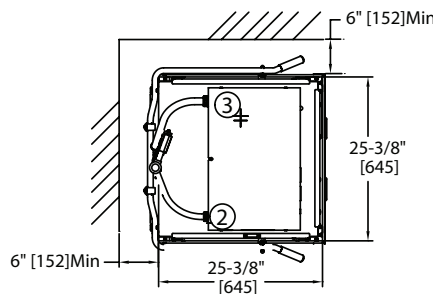
Front View



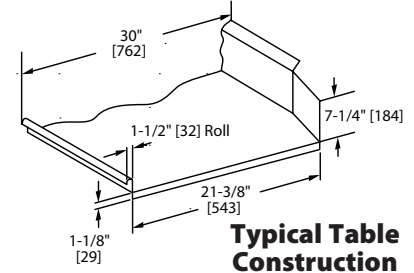
Door Clearance



Straight Through



Corner Configuration



Typical Table Construction

MD2000HT Electrical 40°F/22°C and 70°F/39°C Rise			
Elec Specs	Rated Amps	Minimum Supply Ckt. Conductor Ampacity	Maximum Overcurrent Protective Device
208/60/1	65	80	80
240/60/1	75	80	80
208/60/3	40	50	50
240/60/3	45	50	50

Warning: Plumbing, electrical connections should be made by qualified personnel who will observe all the applicable plumbing, sanitary and safety codes and the National Electrical Code.

Moyer Diebel – USA
3765 Champion Blvd., NC 27105
336/661-1979 • Fax: 336/661-1979

Moyer Diebel – Canada
2674 N. Service Rd, Jordan Station, Ontario, Canada L0R 1S0
800/263-5798 • Fax: 905/562-5422

ChampionIndustries.com/canada • sales@moyerdiebellimited.com

Utilities	
1 Water	3/4" [19mm] NPT Flow pressure 20-22 PSI Hot Water 110°F/43°C – 140°F/82°C
2 Electrical	40°F/22°C and 70°F/39°C rise booster 208-240/60/1&3 (see box)
3 Drain	1" NPT Connection Gravity flow: 15 GRM max flow
4 Exhaust	350 CFM Hood Required

SPECIFICATIONS

Capacities

Racks per hr. 55

Motor horsepower

Wash 1 Hp

Water consumption

Gal. per hr. (max. use)
US Gal [imp gal./liters] 49 [41/87]
Gal. per rack
US Gal [imp gal./liters] 0.9 [.75/3.4]

Temperature °F/°C

Wash 150°F/66°C
Rinse 180°F/82°C

Heating

Tank heat, electric (kW) 5.2
Booster (kW) 7.5

Time cycle in seconds

Wash 40
Dwell 1
Rinse 12
Sanitary Dwell 7
Total cycle 60