



MANUAL SHUTTER



REAR LOADING

## MODELS

KGL-RM-(40,60)-S

KGL-RM-(40, 60)-R

## GRAB-N-GO LOW PROFILE CASE FRONT AND REAR LOADING, MANUAL SHUTTER

CASE HOLDS 38°F TO 40°F • FORCED AIR REFRIGERATION • OPEN FRONT  
FRONT AND REAR LOADING • KEY OPERATED MANUAL SHUTTER



AVAILABLE WITH A BLUE DECAL  
\*CONTACT OUR SALES DEPARTMENT FOR MORE INFORMATION



SELF CONTAINED	Model	O.A. Length (inches)	Volume FT <sup>3</sup>	Electrical 115 Volts					NEMA 115 V Plug	Weight lbs		Crate Size (inches)			
				Front	Compressor		LIGHTS Fans HTRS	EVAP Pan		Total Amps	No Crate	With Crate	L"	W"	H"
					H.P	F.L.A									
	KGL-RM-40-S	41	12.98	5/8	8.9	2.32	6.7	16.8	5-20P	419	585	44	39	74	
	KGL-RM-60-S	60.6	19.85	3/4	16	3.45	6.7	25	-	510	750	64	39	74	

REMOTE	Model	O.A. Length (inches)	115 Volts Total Amps	B.T.U	Weight lbs	
					No Crate	With Crate
					KGL-RM-40-R	41
KGL-RM-60-R	60.6	1.4	5835	430	635	

### SPECIAL FEATURES

Locking back doors for rear loading  
Manual pull-down shutter

### STANDARD FEATURES

Silver colored PVC coated steel front panel with a blue decal  
CFC free injected foam insulation  
PVC coated steel gray interior  
Black steel kick plate  
Foamed polystyrene black end panels  
Tempered side glass  
LED lighting in canopy and under shelves  
Temperature and defrost regulated by a digital controller  
Slide out condensing unit on self-contained units  
Removable condensate evaporating pan for easy cleaning  
Product stops on all shelves  
Height adjustable, shelves can be tilted  
Leveling feet

### OPTIONAL FEATURES

Stainless steel exterior and / or interior  
Other colors available  
Additional shelves  
Price tag molding  
Product dividers  
Condensate evaporating pan for remote cases  
Stainless steel legs are adjustable from 5-1/8" to 7-5/8"  
KGL-RM caster kit

### WARRANTY

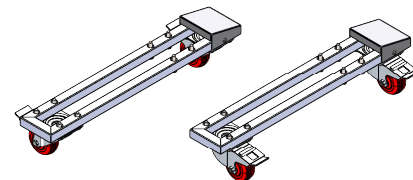
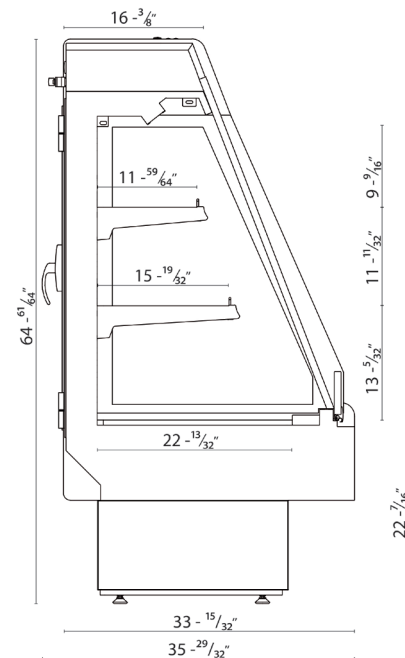
One year parts and labor with an additional four years on the compressor (part only)



3560 NW 56th St  
Fort Lauderdale, FL USA 33309  
Tel: 786.600.4687 / Toll Free: 844.218.8477 / Fax: 786.661.4100



5659 Royalmount Ave.  
Montreal, QC, Canada H4P 2P9  
Tel: 514.737.9701 / Toll Free: 888.275.4538 / Fax: 514.342.3854  
Toll free: 877.453.8832  
sales@mvpgroupcorp.com / mvpgroupcorp.com



KGL-RM CASTER KIT

### NOTE

These cases are engineered to operate in locations not exceeding 75°F and 55% R.H. These cases are designed to operate using R452a refrigerant. Alternate refrigerants available by special order. O.A. length includes (2) ends at 1-1/2" each. Ventilation grills at front and back cannot be blocked. B.T.U.'s are calculated at 14°F (evaporator) and 90°F (ambient). Remote cases are provided with an expansion valve and a liquid solenoid for pump down cycle. On remote cases, if no floor drain is provided, a condensate evaporating pan must be ordered and 6.7 amps added to the amp load. Remote cases must be hard wired – no plugs.



Hydra - Kool is a registered trademark of MVP Group Corp.  
SPECIFICATIONS SUBJECT TO CHANGE WITHOUT NOTICE



ELECTRIC SHUTTER



REAR LOADING

## MODELS

KGL-RS-(40, 60)-S

KGL-RS-(40, 60)-R

## GRAB-N-GO LOW PROFILE CASE FRONT AND REAR LOADING, ELECTRIC SHUTTER

CASE HOLDS 38°F TO 40°F • FORCED AIR REFRIGERATION • OPEN FRONT  
FRONT AND REAR LOADING • KEY OPERATED ELECTRIC SHUTTER • TEMPERATURE RECORDER



AVAILABLE WITH A BLUE DECAL  
\*CONTACT OUR SALES DEPARTMENT FOR MORE INFORMATION



AUTODESK®  
REVIT®

SELF CONTAINED	Model	O.A. Length (inches)	Volume FT <sup>3</sup>	Electrical 115 Volts					NEMA 115 V Plug	Weight lbs		Crate Size (inches)			
				Front	Compressor		LIGHTS Fans HTRS	EVAP Pan		Total Amps	No Crate	With Crate	L"	W"	H"
					H.P	F.L.A									
	KGL-RS-40-S	41	12.98	5/8	8.9	1.29	6.7	16.8	HW	419	585	44	39	74	
	KGL-RS-60-S	60.6	19.85	3/4	16	2.35	6.7	25	HW	510	750	64	39	74	

REMOTE	Model	O.A. Length (inches)	115 Volts Total Amps	B.T.U	Weight lbs	
					No Crate	With Crate
	KGL-RS-40-R	41	0.9	4190	361	515
	KGL-RS-60-R	60.6	1.4	5835	430	635

HW = Hard wired  
Remote cases are hard wired

### SPECIAL FEATURES

Locking back doors for rear loading  
Key operated electric shutter

### STANDARD FEATURES

Silver colored PVC coated steel front panel with a silver decal  
CFC free injected foam insulation  
PVC coated steel gray interior  
Dark Gray anthracite kick plate  
Foamed polystyrene black end panels  
Tempered side glass  
LED lighting in canopy and under shelves  
Temperature and defrost regulated by a digital controller  
Removable condensate evaporating pan for easy cleaning  
Product stops on all shelves  
Height adjustable, shelves can be tilted  
Leveling feet

### OPTIONAL FEATURES

Graphics on upper and lower front panels  
Stainless steel exterior and / or interior  
Other colors available  
Additional shelves  
Price tag molding  
Product dividers  
Condensate evaporating pan for remote cases  
KGL-RS caster kit for self contained units only

### WARRANTY

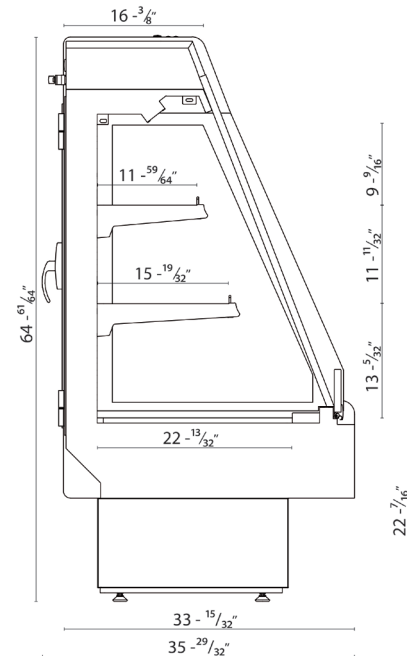
One year parts and labor with an additional four years on the compressor (part only)



3560 NW 56th St  
Fort Lauderdale, FL USA 33309  
Tel: 786.600.4687 / Toll Free: 844.218.8477 / Fax: 786.661.4100



5659 Royalmount Ave.  
Montreal, QC, Canada H4P 2P9  
Tel: 514.737.9701 / Toll Free: 888.275.4538 / Fax: 514.342.3854  
Toll free: 877.453.8832  
sales@mvpgroupcorp.com / mvpgroupcorp.com



### NOTE

These cases are engineered to operate in locations not exceeding 75°F and 55% R.H. These cases are designed to operate using R452a refrigerant. Alternate refrigerants available by special order. O.A. length includes (2) ends at 1-1/2" each. Ventilation grills at front and back cannot be blocked. B.T.U.'s are calculated at 14°F (evaporator) and 90°F (ambient). Remote cases are provided with an expansion valve and a liquid solenoid for pump down cycle. On remote cases, if no floor drain is provided, a condensate evaporating pan must be ordered and 6.7 amps added to the amp load. Remote cases must be hard wired – no plugs.



Hydra - Kool is a registered trademark of MVP Group Corp.  
SPECIFICATIONS SUBJECT TO CHANGE WITHOUT NOTICE