



Features & Benefits

- **Complete range of motors** available to meet specific application needs
- **Heavy duty construction**, durable and weather resistant
- **Non-overloading backward inclined wheels, blades and inlets** fabricated from 3003-H14 aluminum
- **Wall mount applications**; units up to 24" nominal wheel can be wall mounted
- **Forced fresh air** through the motor compartment cools motor and ensures long motor life
- **Quick release latches** allow for easy access to motor compartment
- **Variable pitch motor pulley** allows for field adjustment and system balancing
- **High efficiency** combined with low tip speeds result in quiet operation
- **Fully welded, leak-proof grease drain**
- **Vibration isolation**

Options

- External disconnect switch
- Gravity Damper (*UL 705 only*)
- Motorized Damper (*UL 705 only*)
- Wall Mount Sleeve
- Bird Screen (*UL 705 only*)
- Grease Collection Box
- Roof Curb (*vented & non vented*)
- Base Hinging Kit or Hinged Sub Base (*for NFPA96 compliance*)

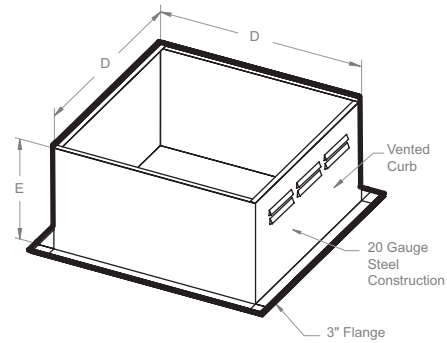
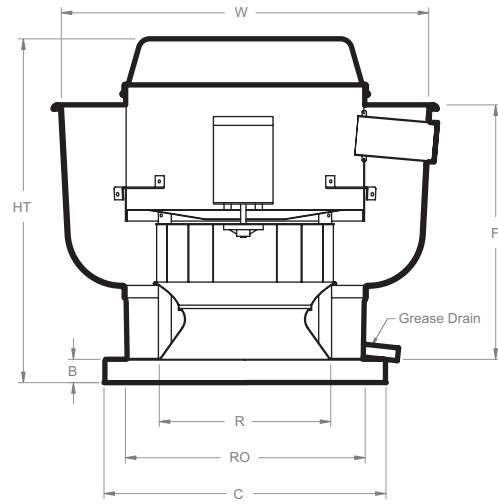
Certifications



FloAire® certifies that Models FKUB11 thru FKUB36 shown herein are licensed to bear the AMCA seal. The ratings shown are based on tests & procedures performed in accordance with AMCA Publication 211 and Publication 311, and comply with the requirements of the AMCA Certified Ratings Program.



Models FKUB11 thru FKUB36 are ETL Listed and comply with UL705 (electrical) and UL762 Standards and CSA Std. C22.2, No. 113.



Measurements

| MODEL | HT | W | B | C | D | E | F | R | RO | Weight Lbs | Damper Sq. |
|--------|--------|--------|---|--------|--------|----|--------|--------|----|------------|------------|
| FKUB11 | 25 1/4 | 27 1/4 | 2 | 21 | 19 1/2 | 22 | 18 1/2 | 12 1/8 | 16 | 105 | 15 |
| FKUB13 | 27 1/4 | 30 1/4 | 2 | 21 | 19 1/2 | 20 | 21 1/2 | 13 1/4 | 16 | 120 | 15 |
| FKUB15 | 30 1/2 | 33 3/4 | 2 | 24 3/4 | 23 | 20 | 23 | 14 7/8 | 20 | 140 | 19 |
| FKUB18 | 33 3/4 | 39 3/8 | 2 | 28 | 26 1/2 | 20 | 23 1/2 | 16 1/2 | 24 | 190 | 23 |
| FKUB20 | 33 3/8 | 38 7/8 | 2 | 28 | 26 1/2 | 20 | 29 1/2 | 18 | 24 | 195 | 23 |
| FKUB24 | 37 1/2 | 43 3/8 | 2 | 33 | 31 1/2 | 20 | 30 5/8 | 23 7/8 | 28 | 270 | 27 |
| FKUB30 | 40 | 52 3/4 | 2 | 40 | 38 1/2 | 20 | 33 1/2 | 24 | 36 | 410 | 35 |
| FKUB36 | 49 1/2 | 66 | 2 | 44 1/2 | 43 | 20 | 47 1/2 | 30 3/4 | 36 | 470 | 35 1/2 |

Motor Availability

| HP | Single Phase | | Three Phase | |
|-------|--------------|---------|-------------|---------|
| | Open | 2 Speed | Open | 2 Speed |
| 1/4 | . | na | na | na |
| 1/3 | . | na | na | na |
| 1/2 | . | . | . | . |
| 3/4 | . | . | . | . |
| 1 | . | . | . | . |
| 1 1/2 | . | . | . | . |
| 2 | . | na | . | . |
| 3 | . | na | . | . |
| 5 | na | na | . | . |
| 7 1/2 | . | na | . | . |

Motor Frame

| Model | Largest Frame |
|--------|---------------|
| FKUB11 | 56 |
| FKUB13 | 56 |
| FKUB15 | 145T |
| FKUB18 | 145T |
| FKUB20 | 145T |
| FKUB24 | 182T |
| FKUB30 | 182T |
| FKUB36 | 213T |



FKUB Belt Drive - Centrifugal Up-Blast Fans

BHP (Brake Horsepower): The actual power developed by a motor as measured by the force applied to a shaft or flywheel.

Performance

| MODEL | CFM | 0.00" sp | 0.25" sp | 0.50" sp | 0.75" sp | 1.00" sp | 1.25" sp | 1.50" sp | 1.75" sp | 2.00" sp |
|--------|------|---------------------|---------------------|---------------------|---------------------|---------------------|---------------------|---------------------|---------------------|---------------------|
| | | RPM Sone/BHP | RPM Sone/BHP | RPM Sone/BHP | RPM Sone/BHP | RPM Sone/BHP | RPM Sone/BHP | RPM Sone/BHP | RPM Sone/BHP | RPM Sone/BHP |
| FKUB11 | 800 | 900 3.4 / 0.05 | 1062 4.5 / 0.09 | 1242 4.9 / 0.14 | 1391 6.4 / 0.19 | 1527 10.4 / 0.25 | | | | |
| FKUB11 | 1000 | 1038 4.7 / 0.07 | 1235 6.1 / 0.13 | 1397 7.6 / 0.20 | 1536 11.7 / 0.26 | 1658 12.3 / 0.33 | 1773 13 / 0.40 | 1883 13.5 / 0.48 | | |
| FKUB11 | 1200 | 1246 6.1 / 0.13 | 1413 8.9 / 0.20 | 1560 12.9 / 0.27 | 1693 14.1 / 0.35 | 1807 14.8 / 0.43 | | | | |
| FKUB11 | 1400 | 1454 11.6 / 0.20 | 1600 14 / 0.28 | 1733 15.3 / 0.37 | 1854 16.4 / 0.45 | | | | | |
| FKUB11 | 1600 | 1661 15 / 0.30 | 1790 16.4 / 0.39 | 1912 16 / 0.49 | | | | | | |
| FKUB11 | 1800 | 1869 17.8 / 0.43 | | | | | | | | |
| FKUB13 | 1200 | 800 5.7 / 0.07 | 909 6.8 / 0.12 | 1045 8.9 / 0.18 | 1180 11.4 / 0.26 | 1311 12.6 / 0.34 | 1442 15.2 / 0.43 | | | |
| FKUB13 | 1400 | 896 8.3 / 0.09 | 1017 10.1 / 0.16 | 1135 12.6 / 0.23 | 1252 12.1 / 0.31 | 1367 14.4 / 0.40 | 1480 15.7 / 0.50 | | | |
| FKUB13 | 1600 | 1024 11.1 / 0.14 | 1131 13.1 / 0.21 | 1235 13.9 / 0.29 | 1338 14.9 / 0.38 | 1439 15.8 / 0.48 | | | | |
| FKUB13 | 1800 | 1152 14.4 / 0.20 | 1247 14.6 / 0.28 | 1340 15.4 / 0.37 | 1432 16.6 / 0.46 | | | | | |
| FKUB13 | 2000 | 1280 14.8 / 0.28 | 1366 17.1 / 0.36 | 1450 17.9 / 0.46 | | | | | | |
| FKUB13 | 2200 | 1408 18.7 / 0.37 | 1486 19.4 / 0.46 | | | | | | | |
| FKUB13 | 2400 | 1536 21 / 0.48 | | | | | | | | |
| FKUB15 | 1600 | 700 5.1 / 0.09 | 779 6.5 / 0.14 | 911 8.3 / 0.23 | 1034 9.6 / 0.32 | 1151 12.6 / 0.43 | 1263 14.7 / 0.55 | | | |
| FKUB15 | 1800 | 719 6.9 / 0.10 | 844 9.2 / 0.18 | 964 10.4 / 0.27 | 1077 10.8 / 0.37 | 1184 12.5 / 0.49 | 1288 14.8 / 0.61 | 1389 15.4 / 0.74 | 1486 16.5 / 0.89 | |
| FKUB15 | 2000 | 798 8.7 / 0.13 | 912 10.7 / 0.22 | 1021 10.2 / 0.32 | 1125 13.2 / 0.43 | 1225 13.6 / 0.55 | 1322 14.9 / 0.68 | 1415 15.6 / 0.81 | 1507 16.7 / 0.96 | |
| FKUB15 | 2200 | 878 10.2 / 0.18 | 981 12.2 / 0.27 | 1083 12.6 / 0.38 | 1180 14 / 0.50 | 1272 15.9 / 0.62 | 1362 15.8 / 0.75 | 1449 16 / 0.89 | | |
| FKUB15 | 2400 | 958 11.6 / 0.23 | 1053 12.4 / 0.33 | 1146 14.3 / 0.45 | 1236 15.4 / 0.57 | 1324 17.5 / 0.70 | 1408 17.3 / 0.84 | 1490 17.1 / 0.98 | | |
| FKUB15 | 2600 | 1038 12 / 0.29 | 1125 14.3 / 0.40 | 1212 15.1 / 0.52 | 1297 17.5 / 0.65 | 1379 18.6 / 0.79 | 1458 19.6 / 0.94 | | | |
| FKUB15 | 2800 | 1118 14.1 / 0.36 | 1199 15.5 / 0.48 | 1280 18.1 / 0.61 | 1359 18.7 / 0.75 | 1436 19.7 / 0.89 | | | | |
| FKUB15 | 3000 | 1198 15.5 / 0.44 | 1273 19.1 / 0.57 | 1349 19.7 / 0.71 | 1424 20 / 0.85 | 1496 21 / 1.00 | | | | |
| FKUB15 | 3200 | 1277 19.4 / 0.54 | 1348 21 / 0.67 | 1419 21 / 0.82 | 1490 22 / 0.97 | | | | | |
| FKUB15 | 3400 | 1357 21 / 0.65 | 1423 22 / 0.79 | 1491 23 / 0.94 | | | | | | |
| FKUB15 | 3600 | 1437 22 / 0.77 | 1499 24 / 0.92 | | | | | | | |
| FKUB15 | 3800 | 1516 24 / 0.90 | | | | | | | | |
| FKUB18 | 1500 | 400 2.2 / 0.04 | 534 3.6 / 0.11 | 655 5.6 / 0.19 | | | | | | |
| FKUB18 | 2000 | 524 4.2 / 0.09 | 638 6 / 0.18 | 733 7.7 / 0.28 | 822 9 / 0.39 | | | | | |
| FKUB18 | 2500 | 655 7.4 / 0.17 | 750 9.5 / 0.28 | 833 10.3 / 0.40 | 907 11 / 0.52 | 978 11.6 / 0.66 | 1050 12.2 / 0.80 | | | |
| FKUB18 | 3000 | 786 11.2 / 0.29 | 866 12.2 / 0.42 | 940 12.8 / 0.56 | 1007 13 / 0.70 | 1069 12.5 / 0.85 | 1129 13.8 / 1.01 | 1188 15 / 1.17 | 1248 16.1 / 1.35 | 1310 17.3 / 1.55 |
| FKUB18 | 3500 | 916 13.9 / 0.46 | 986 14.8 / 0.61 | 1052 14.6 / 0.77 | 1113 15.1 / 0.94 | 1170 16.4 / 1.10 | 1224 17.6 / 1.27 | 1276 18 / 1.45 | 1327 18.5 / 1.64 | 1377 19 / 1.83 |
| FKUB18 | 4000 | 1047 15.6 / 0.69 | 1108 17.1 / 0.86 | 1168 17.7 / 1.04 | 1224 19.4 / 1.23 | 1276 20 / 1.41 | 1326 20 / 1.60 | 1374 21 / 1.80 | 1420 21 / 2.00 | |
| FKUB18 | 4500 | 1178 19 / 0.98 | 1232 21 / 1.18 | 1286 22 / 1.38 | 1337 22 / 1.58 | 1386 23 / 1.79 | 1433 24 / 2.00 | | | |
| FKUB18 | 5000 | 1309 24 / 1.35 | 1358 24 / 1.56 | 1406 25 / 1.78 | | | | | | |
| FKUB18 | 5500 | 1440 27 / 1.80 | | | | | | | | |
| FKUB20 | 2200 | 400 3 / 0.06 | 518 4.4 / 0.16 | 632 6.1 / 0.29 | | | | | | |
| FKUB20 | 2700 | 490 4.8 / 0.12 | 584 6.2 / 0.23 | 684 8 / 0.38 | 774 9.5 / 0.53 | 862 11.3 / 0.70 | | | | |
| FKUB20 | 3200 | 581 6.9 / 0.20 | 657 8.3 / 0.33 | 744 10.3 / 0.49 | 825 10.5 / 0.66 | 902 12.2 / 0.84 | 976 14 / 1.03 | 1050 15.4 / 1.24 | | |
| FKUB20 | 3700 | 672 9.6 / 0.31 | 735 11 / 0.46 | 810 11.5 / 0.63 | 884 12.4 / 0.82 | 954 13.5 / 1.02 | 1020 15 / 1.23 | 1085 16.1 / 1.44 | 1148 17.6 / 1.67 | 1212 19.7 / 1.92 |
| FKUB20 | 4200 | 763 12.5 / 0.45 | 817 12.5 / 0.61 | 881 13.5 / 0.80 | 947 14.7 / 1.01 | 1012 16 / 1.22 | 1073 16.6 / 1.45 | 1132 17.5 / 1.69 | 1189 19 / 1.93 | |
| FKUB20 | 4700 | 853 14.4 / 0.63 | 901 15.8 / 0.81 | 956 16.2 / 1.01 | 1015 17.2 / 1.23 | 1074 17.7 / 1.47 | 1131 18.7 / 1.71 | 1187 20 / 1.97 | | |
| FKUB20 | 5200 | 944 17.3 / 0.85 | 986 19 / 1.05 | 1034 18.9 / 1.27 | 1087 19.1 / 1.50 | 1141 20 / 1.75 | | | | |
| FKUB20 | 5700 | 1035 21 / 1.12 | 1073 21 / 1.34 | 1115 21 / 1.57 | 1162 22 / 1.82 | | | | | |
| FKUB20 | 6200 | 1126 24 / 1.44 | 1160 24 / 1.68 | 1199 25 / 1.93 | | | | | | |
| FKUB20 | 6700 | 1217 28 / 1.82 | | | | | | | | |

Performance data continued on next page



FKUB Belt Drive - Centrifugal Up-Blast Fans

BHP (Brake Horsepower): The actual power developed by a motor as measured by the force applied to a shaft or flywheel.

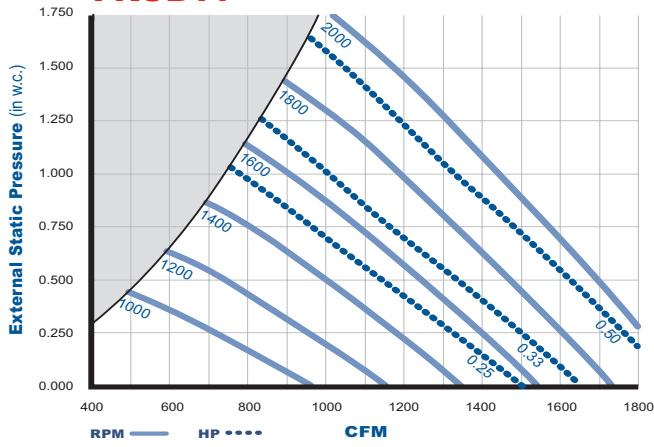
| Performance | | 0.00 sp | 0.25 sp | 0.50 sp | 0.75 sp | 1.00 sp | 1.25 sp | 1.50 sp | 1.75 sp | 2.00 sp |
|-------------|-------|--------------------|--------------------|--------------------|--------------------|--------------------|--------------------|--------------------|--------------------|--------------------|
| MODEL | CFM | RPM Sone/BHP | RPM Sone/BHP | RPM Sone/BHP | RPM Sone/BHP | RPM Sone/BHP | RPM Sone/BHP | RPM Sone/BHP | RPM Sone/BHP | RPM Sone/BHP |
| FKUB24 | 3500 | 400 6 / 0.15 | 480 7.4 / 0.30 | 568 8.9 / 0.49 | 653 11.6 / 0.72 | 735 14 / 0.97 | | | | |
| FKUB24 | 4500 | 492 8.8 / 0.27 | 569 10.1 / 0.49 | 641 12 / 0.72 | 710 13.3 / 0.97 | 776 14.8 / 1.24 | 842 15.9 / 1.54 | 907 17.3 / 1.86 | 969 19.4 / 2.21 | |
| FKUB24 | 5500 | 601 11.7 / 0.50 | 665 13.3 / 0.76 | 726 14.6 / 1.03 | 784 15.8 / 1.32 | 841 15.9 / 1.62 | 896 17 / 1.93 | 950 18.7 / 2.27 | 1004 21 / 2.63 | 1057 23 / 3.01 |
| FKUB24 | 6500 | 710 15.4 / 0.82 | 764 16.9 / 1.12 | 817 17 / 1.44 | 868 17.5 / 1.77 | 918 18.1 / 2.11 | 966 19.8 / 2.46 | 1013 21 / 2.82 | 1059 23 / 3.20 | 1105 25 / 3.60 |
| FKUB24 | 7500 | 820 18.1 / 1.26 | 866 19.3 / 1.61 | 913 19.5 / 1.97 | 958 21 / 2.34 | 1002 22 / 2.72 | 1045 23 / 3.11 | 1087 25 / 3.51 | 1128 27 / 3.91 | 1169 29 / 4.34 |
| FKUB24 | 8500 | 929 22 / 1.84 | 970 24 / 2.22 | 1011 24 / 2.63 | 1052 26 / 3.04 | 1092 27 / 3.47 | 1130 29 / 3.90 | 1168 29 / 4.33 | 1206 32 / 4.78 | |
| FKUB24 | 9500 | 1038 27 / 2.56 | 1075 29 / 2.99 | 1112 29 / 3.44 | 1149 31 / 3.90 | 1185 33 / 4.36 | 1220 34 / 4.83 | | | |
| FKUB24 | 10500 | 1147 35 / 3.46 | 1181 37 / 3.94 | 1214 39 / 4.43 | 1248 39 / 4.93 | | | | | |
| FKUB24 | 11500 | 1257 41 / 4.55 | | | | | | | | |
| FKUB30 | 5000 | 321 4.8 / 0.23 | 381 5.7 / 0.44 | 441 7 / 0.69 | 497 8.8 / 0.96 | | | | | |
| FKUB30 | 6000 | 385 7 / 0.39 | 433 7.8 / 0.65 | 487 9.1 / 0.93 | 535 10.2 / 1.23 | 582 11.4 / 1.55 | 629 13 / 1.90 | | | |
| FKUB30 | 7000 | 449 9.7 / 0.62 | 489 10.4 / 0.91 | 536 11.2 / 1.23 | 580 11.6 / 1.57 | 621 12.7 / 1.92 | 661 13.8 / 2.29 | 701 15 / 2.69 | 741 16 / 3.10 | |
| FKUB30 | 8000 | 513 12.8 / 0.93 | 546 12.9 / 1.25 | 587 12.8 / 1.61 | 628 13.4 / 1.99 | 666 14.7 / 2.38 | 702 15 / 2.78 | 737 15.9 / 3.19 | 772 16.8 / 3.63 | 807 17.8 / 4.08 |
| FKUB30 | 9000 | 577 14 / 1.32 | 606 15.1 / 1.68 | 641 14.6 / 2.07 | 677 15.7 / 2.49 | 713 16.3 / 2.92 | 747 17.5 / 3.36 | 779 17 / 3.80 | 811 17.9 / 4.27 | 842 19.2 / 4.74 |
| FKUB30 | 10000 | 641 16.4 / 1.81 | 666 17.3 / 2.21 | 697 17.8 / 2.63 | 729 17.3 / 3.09 | 762 18.3 / 3.56 | 794 19.2 / 4.03 | 825 20 / 4.52 | | |
| FKUB30 | 11000 | 705 18.8 / 2.41 | 728 19.6 / 2.84 | 754 21 / 3.30 | 783 19 / 3.79 | 814 19.9 / 4.30 | 843 22 / 4.82 | | | |
| FKUB30 | 12000 | 769 21 / 3.13 | 790 22 / 3.60 | 813 23 / 4.09 | 839 24 / 4.62 | | | | | |
| FKUB30 | 13000 | 833 27 / 3.98 | 852 27 / 4.48 | | | | | | | |
| FKUB30 | 14000 | 897 30 / 4.97 | | | | | | | | |
| FKUB36 | 10000 | 338 8.1 / 0.58 | 381 9.3 / 1.02 | 426 10.5 / 1.52 | 470 11.7 / 2.05 | 514 13.6 / 2.62 | 558 15.4 / 3.23 | 602 17.1 / 3.88 | 645 18.8 / 4.58 | 687 20 / 5.31 |
| FKUB36 | 12000 | 406 11.8 / 1.00 | 441 12.7 / 1.51 | 478 13.1 / 2.09 | 515 14.1 / 2.70 | 552 15.2 / 3.34 | 589 16.6 / 4.01 | 626 18.1 / 4.71 | 663 19.4 / 5.44 | 699 21 / 6.20 |
| FKUB36 | 14000 | 474 15 / 1.59 | 504 15.9 / 2.17 | 535 17.2 / 2.82 | 567 17.5 / 3.51 | 598 18.5 / 4.23 | 630 18.2 / 4.97 | 662 19.3 / 5.73 | 694 20 / 6.52 | 725 23 / 7.33 |
| FKUB36 | 16000 | 541 18.7 / 2.37 | 567 20 / 3.02 | 594 20 / 3.74 | 622 21 / 4.51 | 650 22 / 5.30 | 677 23 / 6.12 | 705 24 / 6.96 | | |
| FKUB36 | 18000 | 609 23 / 3.37 | 632 24 / 4.10 | 656 23 / 4.89 | 680 25 / 5.73 | 705 26 / 6.60 | 729 27 / 7.49 | | | |
| FKUB36 | 20000 | 676 | 697 | 719 | 740 | | | | | |

Performance shown is for installation Type A; Free Inlet, Free Outlet. Power Rating (BHP) does not include Drive Losses. Performance Ratings do not include the effects of appurtenances in the air stream. The Sound Ratings shown are loudness values in fan sones at 5 ft. (1.5m) in a hemispherical free field calculated per AMCA Standards 301. Values shown are for installation Type A; Free inlet fan sone levels. The AMCA Certified Ratings Sound Seal applies to Sone Ratings only.

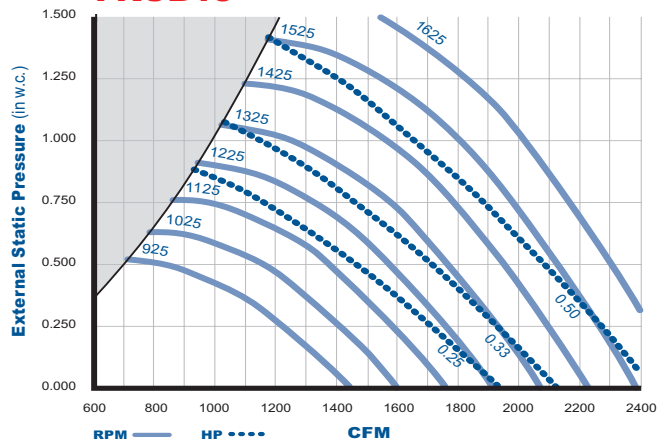


FKUB Belt Drive - Centrifugal Up-Blast Fans

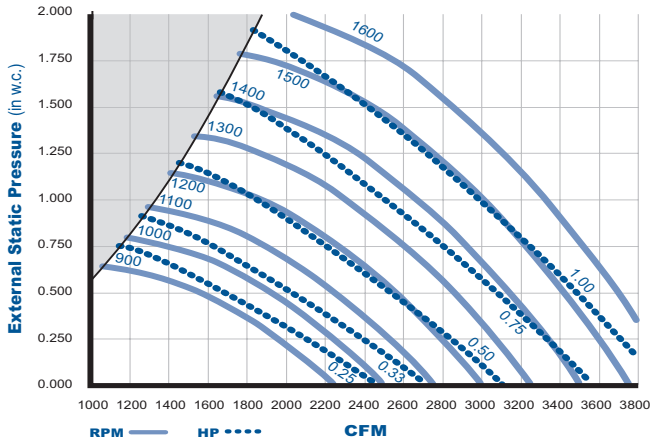
FKUB11



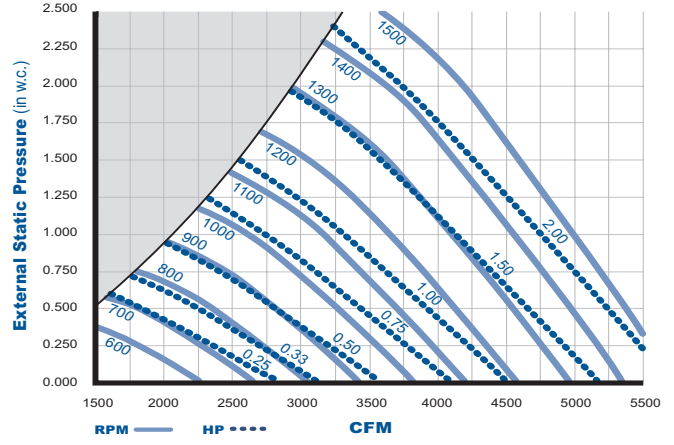
FKUB13



FKUB15



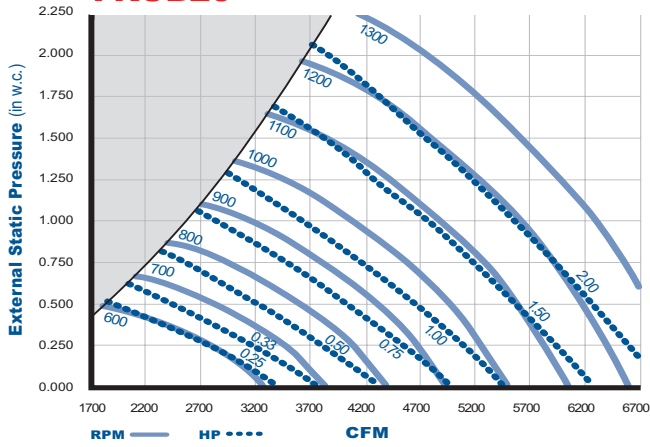
FKUB18



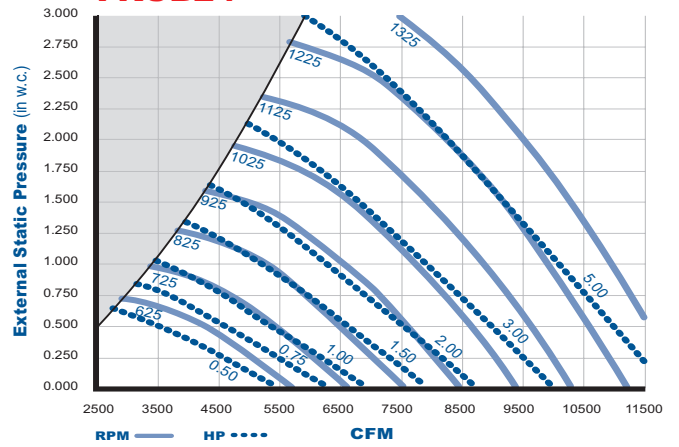


FKUB Belt Drive - Centrifugal Up-Blast Fans

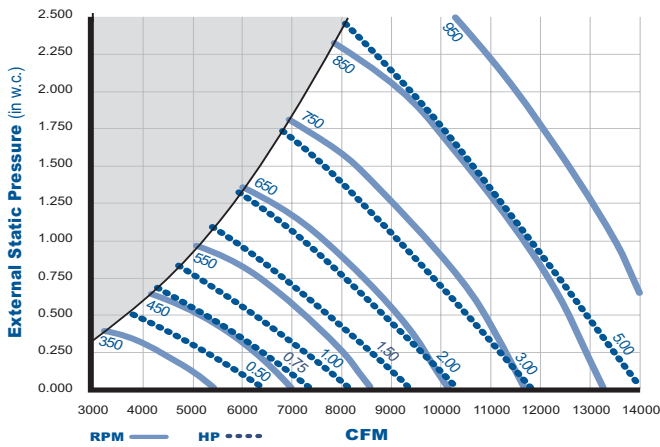
FKUB20



FKUB24



FKUB30



FKUB36

