



Project \_\_\_\_\_  
 AIA # \_\_\_\_\_ SIS # \_\_\_\_\_  
 Item # \_\_\_\_\_ Quantity \_\_\_\_\_ C.S.I. Section 114000

# CUL CHEMICAL SANITIZING Undercounter



## SPECIFIER STATEMENT

Specified unit will be NSF rated, **Centerline™** by **Hobart** chemical sanitizing undercounter dishwasher. Features soft start, two selectable cycles, one standard 2-minute cycle with optional extended cycle (factory set at 240 seconds); .84 gallons per rack, LED temperature and operator display, service diagnostics, detergent, rinse aid and sanitizer pumps. Constructed of stainless steel.

**1 year parts and labor warranty.**

## STANDARD VOLTAGE

+ 120/60/1

## MODELS

- CUL** Chemical sanitizing rinse

## STANDARD FEATURES

- + 24 racks per hour
- + .84 gallons of water per rack
- + Chemical sanitizing
- + Top-mounted user interface with digital temperature display
- + 2-minute cycle with optional extended cycle
- + 14.46" door opening
- + Snap-in, revolving upper and lower anti-clogging wash & rinse arm; low-profile, single-arm design
- + Removable, 3-part stainless steel scrap screen
- + Soft start
- + Automatic pumped drain
- + Automatic fill
- + Service diagnostics with error notifications
- + Delime notification and cycle
- + Chemical pumps standard
- + Sanitizer sensing indicator standard
- + Electric tank heat
- + Two dishracks – one peg and one combination type

## OPTIONS & ACCESSORIES (Available at extra cost)

- Upper/lower stainless steel wash and rinse arm kit
- Chemical sensing indicators (low chemical alert)
- Stainless steel stand with rack storage and telescoping legs (legs in provide 15<sup>5</sup>/<sub>16</sub>" of additional height; legs out provide 17<sup>7</sup>/<sub>8</sub>" of additional height)
- Peg rack
- Combination rack
- Power cord kits

CUL CHEMICAL SANITIZING

Approved by \_\_\_\_\_ Date \_\_\_\_\_ Approved by \_\_\_\_\_ Date \_\_\_\_\_

**LEGEND**

Electrical Connections	
<b>E1</b>	Electrical connection: 1-3/8" dia. hole for 1" trade size conduit; 1-5/8" AFF.
<b>E2</b>	Electrical connection: Sanitizer, detergent and rinse aid (optional); approximately 1-5/8" AFF.
Plumbing Connections	
<b>P1</b>	Single fill and rinse connection: 3/4" female garden hose fitting on 6' long hose supplied with machine; 120°F water minimum for CUL 140°F recommended.
<b>P2</b>	Drain connection: 19mm barb fitting with 6' long hose supplied with machine.
<b>P3</b>	Chemical supply: Detergent, sanitizer and rinse aid; approximately 1-5/8" AFF. 5-1/4" long tubing supplied with machine.

**WARNING: Plumbing and electrical connections should be made by qualified personnel who will observe all the applicable plumbing, sanitary, safety codes and National Electrical Code.**

**SPECIFICATIONS**

**Capacities**

Cycle Time (seconds)	120
Racks per Hour	24
Tank Capacity – Gallons	5.3

**Motor Horsepower**

Wash	0.62
Rinse	0.20

**Water Consumption**

U.S. Gallons per Hour (maximum use)	20.2
U.S. Gallons per Rack (maximum use)	0.84
Peak Drain Flow – U.S. Gallons	2.8

**Temperatures °F**

Incoming Water Temperature (minimum recommended)	120°F
--	-------

**Heating**

Tank Heat, electric (kW)	2.0
--------------------------	-----

**Standard 20" x 20" (508 x 508) Rack Complement**

Flat	1
Peg	1

**Shipping Weight (approximate)**..... 148 lbs.

**Crated Dimensions**.....27¼"W x 26½"L x 38¾"H

Heat Output, BTU/Hour		
Volts	Latent	Sensible
120	1,200	500

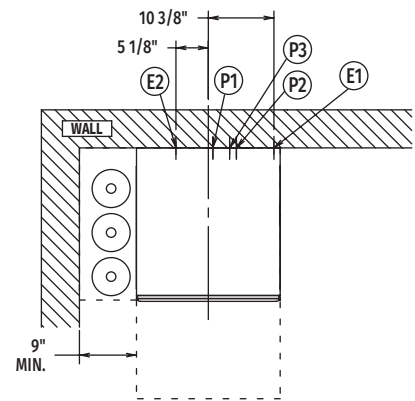
**(E1) STANDARD ELECTRICAL OPTIONS**

Voltage	Rated Amps	Minimum Supply Circuit Ampacity	Maximum Protective Device
120/60/1	17.5	20	20

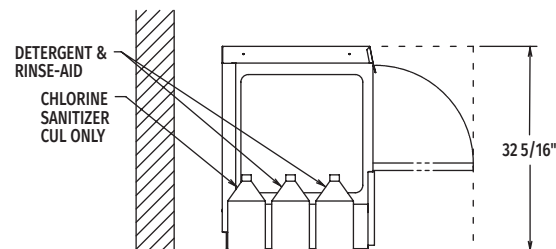
**NOTE:** For supply connections, use copper wire only rated at 90°C minimum.

Accessory cord kit available for all models.

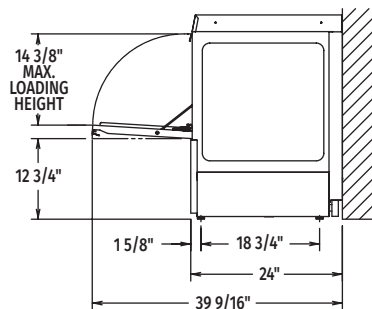
Dishmachine not provided with internal GFCI protection.



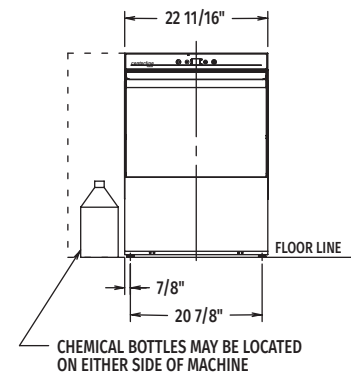
**Top View**



**Left Side View**



**Right Side View**



**Front View**

MODEL:  
CUL  
00-562543  
REV D