

Height: 20.7" Width: 9.3" Depth: 13.0"
(52.6cm) (23.6cm) (33.0cm)



- Vacuum insulated to keep coffee hot for hours
- Brew-through design with flip lid cover
- Soft-grip bail handle for easy transportation
- Self-locking stand allows for multiple brewing and serving options
- Large cup clearance allows for dispensing into cups, decanters and thermal carafes
- Integrated sight gauge assembly allows for easy cleaning
- Sturdy aluminum faucet guard keeps faucet area clean and protected
- Drip tray is easily removed for cleaning or to provide extra clearance for dispensing into pitchers
- Fast flow faucet
- Ideal for use with Twin or Single Infusion Series Brewers

Agency:

Specifications

Product #: 44000.6200

Lid Color: Black

Handle: Bail Handle

Liner: Stainless Steel

Dispense: Lever Action

Additional Features

Holding Capacity

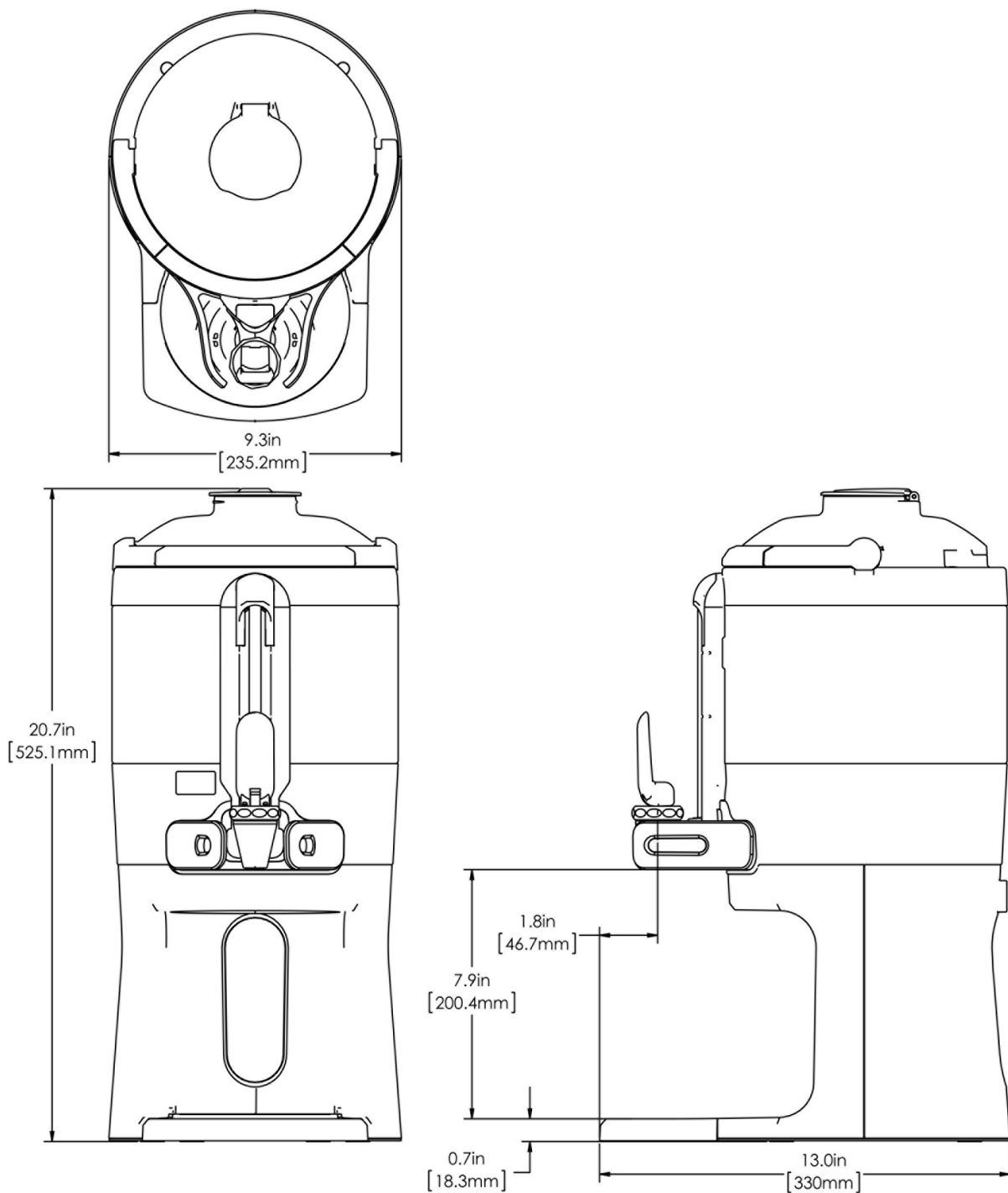
English	Metric
128 oz.	3.8 L

 **WARNING:**



BUNN® reserves the right to change specifications and product design without notice. Such revisions do not entitle the buyer to corresponding changes, improvements, additions or replacements for previously purchased equipment. For most current specifications and other info visit bunn.com.

Last Updated:
01/26/2022



	Unit			Shipping				
	Height	Width	Depth	Height	Width	Depth	Weight	Volume
English	20.7 in.	9.3 in.	13.0 in.	-	-	-	-	-
Metric	52.6 cm	23.6 cm	33.0 cm	-	-	-	-	-



BUNN® reserves the right to change specifications and product design without notice. Such revisions do not entitle the buyer to corresponding changes, improvements, additions or replacements for previously purchased equipment. For most current specifications and other info visit bunn.com.

Last Updated:
01/26/2022