


VP17-3T

Height: 17.3" Width: 8.4" Depth: 18.8"
(43.9cm) (21.3cm) (47.8cm)

- Pourover brewer requires no plumbing – completely portable
- SplashGard® funnel deflects hot liquids away from the hand
- Three individually controlled warmers
- Servers not included unless otherwise noted



 Server(s) sold separately

Agency:

Specifications

Product #: 13300.6011

Warmers: Two Upper/ One Lower

Water Access: Not Plumbed

Finish: Stainless

Funnel: Stainless Steel

Additional Features

Electrical & Capacity

Volts*	Amps	Watts	Cord Attached	Plug Type	8oz cups/hr 236ml cups/hr	Input H ₂ O Temp.	Phase	# Wires plus Ground	Hertz
-	-	-	-	-	61	60°F (15.5°C)	-	-	-

*When a BUNN is machine rated 120/208-240V, 120/208V or 120/240V, the higher voltage is the supply voltage needed to power the machine. The 120V is there to supply power to some components rated 120V in the machine, but it is not the supply voltage and would not power the machine if the machine is marked with the before mentioned ratings.

Plumbing Requirements

PSI	kPa	Fitting Supplied	Water Flow Required (GPM)
-	-	-	-

CAD Drawings

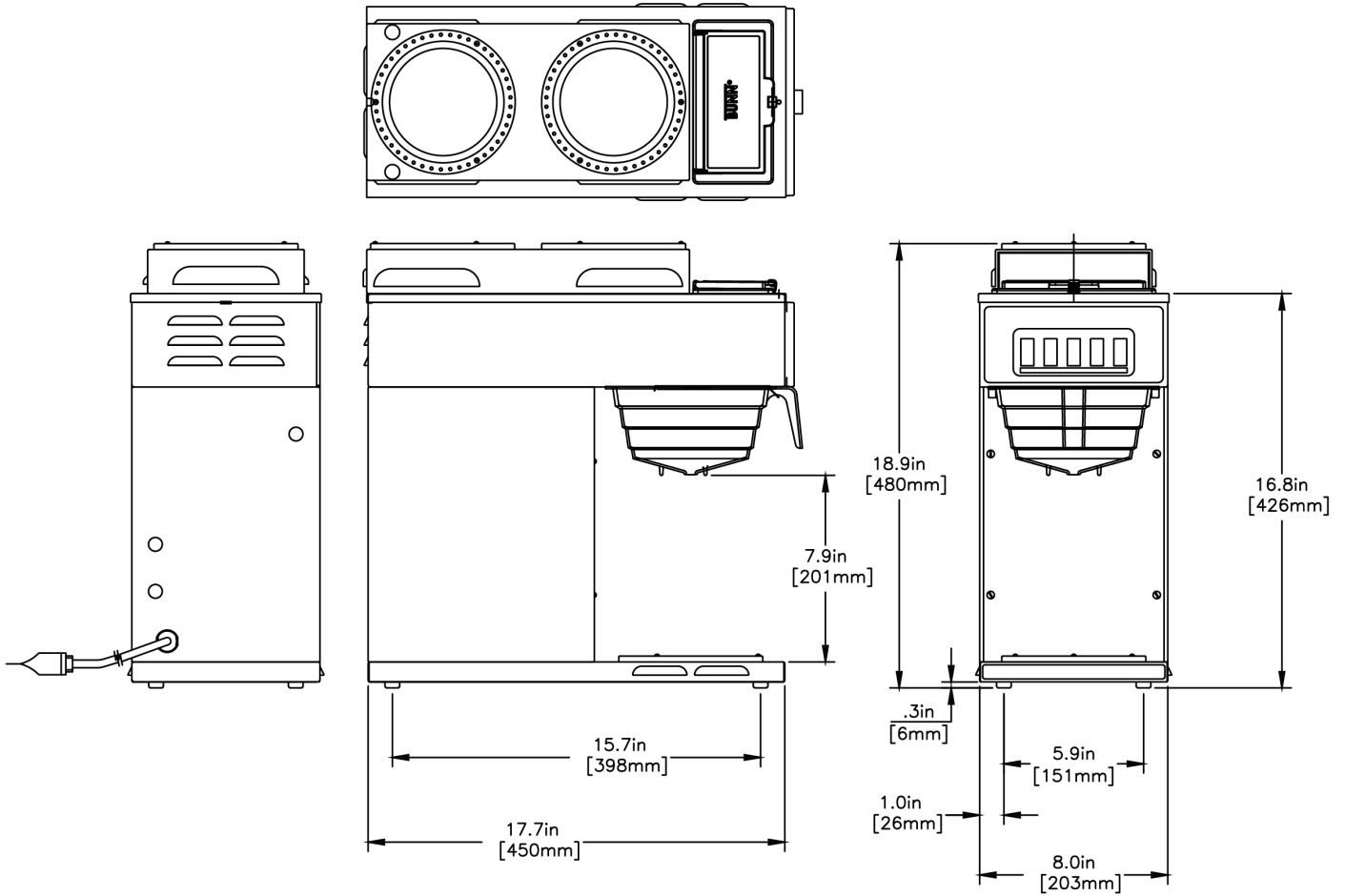
2D	Revit	KLC
●		

 **WARNING:**



BUNN® reserves the right to change specifications and product design without notice. Such revisions do not entitle the buyer to corresponding changes, improvements, additions or replacements for previously purchased equipment. For most current specifications and other info visit bunn.com.

Last Updated:
12/15/2022



	Unit			Shipping				
	Height	Width	Depth	Height	Width	Depth	Weight	Volume
English	17.3 in.	8.4 in.	18.8 in.	23.8 in.	12.5 in.	26.5 in.	-	4.566 ft ³
Metric	43.9 cm	21.3 cm	47.8 cm	60.3 cm	31.8 cm	67.4 cm	-	0.129 m ³



BUNN® reserves the right to change specifications and product design without notice. Such revisions do not entitle the buyer to corresponding changes, improvements, additions or replacements for previously purchased equipment. For most current specifications and other info visit bunn.com.

Last Updated:
12/15/2022


VP17-3T (2U/1L Warmer)

Height: 19.0" Width: 8.4" Depth: 19.3"
(48.3cm) (21.3cm) (49.0cm)

- Pourover brewer requires no plumbing – completely portable
- SplashGard® funnel deflects hot liquids away from the hand
- Three individually controlled warmers
- Servers not included unless otherwise noted

NO IMAGE
AVAILABLE

Agency:

 Server(s) sold separately

Specifications

Product #: 13300.6028

Warmers: Two Upper/ One Lower

Water Access: Not Plumbed

Finish: Black

Funnel: Black Plastic

Additional Features

Electrical & Capacity

Volts*	Amps	Watts	Cord Attached	Plug Type	8oz cups/hr 236ml cups/hr	Input H ₂ O Temp.	Phase	# Wires plus Ground	Hertz
-	-	-	-	-	61	60°F (15.5°C)	-	-	-

*When a BUNN is machine rated 120/208-240V, 120/208V or 120/240V, the higher voltage is the supply voltage needed to power the machine. The 120V is there to supply power to some components rated 120V in the machine, but it is not the supply voltage and would not power the machine if the machine is marked with the before mentioned ratings.

Plumbing Requirements

PSI	kPa	Fitting Supplied	Water Flow Required (GPM)
-	-	-	-

CAD Drawings

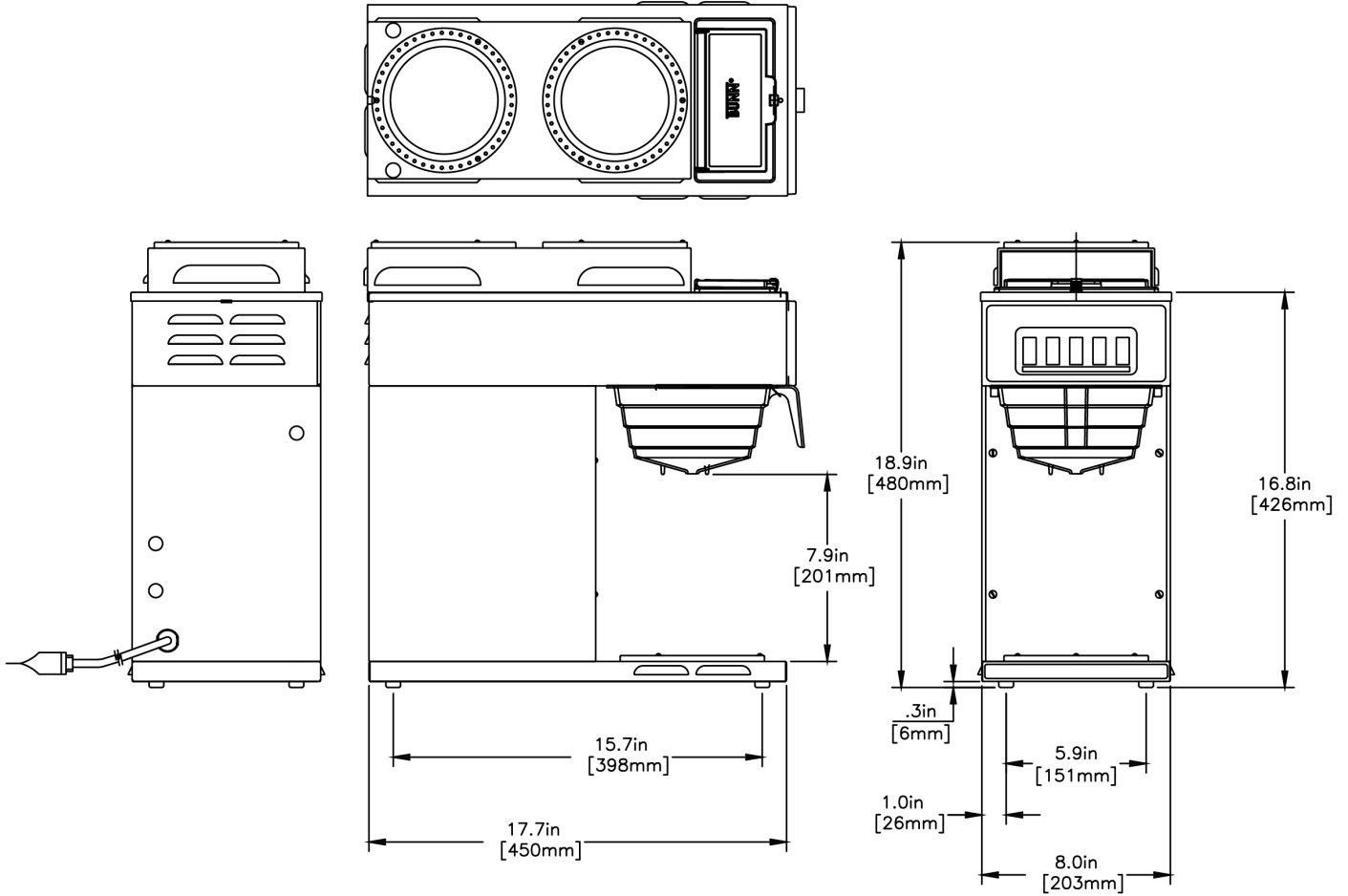
2D	Revit	KLC
●		

 **WARNING:**



BUNN® reserves the right to change specifications and product design without notice. Such revisions do not entitle the buyer to corresponding changes, improvements, additions or replacements for previously purchased equipment. For most current specifications and other info visit bunn.com.

Last Updated:
12/15/2022



	Unit			Shipping				
	Height	Width	Depth	Height	Width	Depth	Weight	Volume
English	19.0 in.	8.4 in.	19.3 in.	23.8 in.	12.5 in.	26.5 in.	-	4.566 ft ³
Metric	48.3 cm	21.3 cm	49.0 cm	60.3 cm	31.8 cm	67.4 cm	-	0.129 m ³



BUNN® reserves the right to change specifications and product design without notice. Such revisions do not entitle the buyer to corresponding changes, improvements, additions or replacements for previously purchased equipment. For most current specifications and other info visit bunn.com.

Last Updated:
12/15/2022