



WFG300

Tostato Supremo® Double Italian-Style Flat Grill



MAIN FEATURES

- Flat cast iron plates for even heat distribution
- 17" x 9.25" cooking surface is great for grilling panini sandwiches, hamburgers, chicken, vegetables and more
- Brushed stainless steel body construction and removable drip tray
- Hinged, auto-balancing top plate to handle foods up to 3" thick
- Thermostat is adjustable to 570°F for slow-to-quick cooking times
- Adjustable back feet for easy grease drainage
- Dual power ON and READY indicator lights
- Heat-resistant handles; no need for mitts or potholders
- Limited One Year Warranty

ELECTRICAL

Voltage: 240

Frequency: 60Hz

Watts: 3200

Amps: 13.3

Plug Type: NEMA 6-20P 

Cord Length: 6.6 feet



SALES FEATURES

Make all of your signature sandwiches and more with the 240V Waring® WFG300 Tostato Supremo® Double Italian-Style Flat Grill. Flat cast iron plates heat evenly and quickly to cook sandwiches, burgers, chicken, and vegetables up to 3" thick. The brushed stainless steel body and removable drip tray are easy to clean. Includes adjustable thermostat to 570°F, plus POWER and READY indicator lights.



@waringcommercial

©2020 Waring Commercial
314 Ella T. Grasso Avenue, Torrington, CT 06790
Tel. 800-492-7464 • Fax 860-496-9008

waringcommercialproducts.com

Tostato Supremo® Double Italian-Style Flat Grill

WFG300



Tostato Supremo® Double Italian-Style Flat Grill WFG300

INCLUDED ACCESSORIES



CAC105 Cleaning Brush

OPTIONAL ACCESSORIES



CAC144 Silicone Spatula
for use with
Nonstick PTFE Sheets



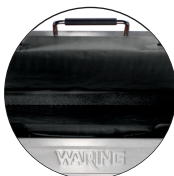
029824 Allen Wrench



035551 Allen Wrench Holder

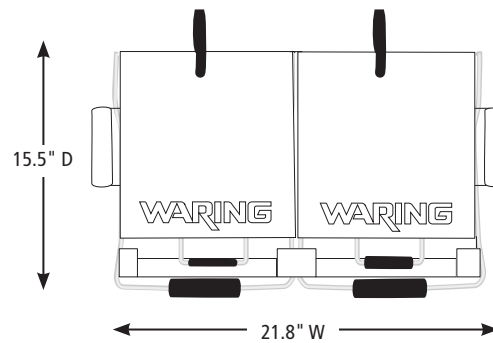
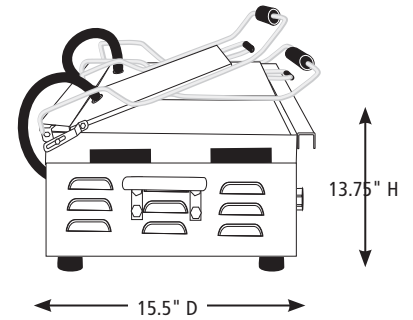
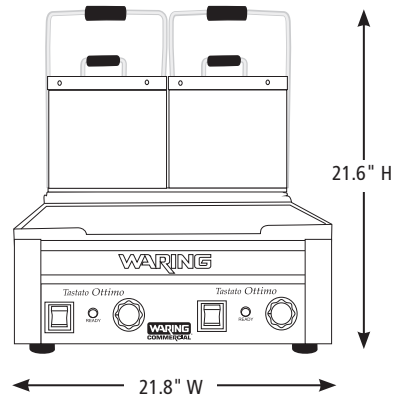


CAC172 Conversion Kit
with Clips and
3-Pack PTFE Sheets
(6 upper and
3 lower sheets)



CAC179 3-pack of
Custom PTFE Sheets
(6 upper and
3 lower sheets)

DIMENSIONS



Out of Box Weight: 75 lb.

ORDERING INFORMATION	#STD. PKG.	GIFTBOX WEIGHT	CUBIC FEET	BOX DIMENSIONS D X W X H	UPC	CASE PKG.	MC WEIGHT	MC DIMENSIONS D X W X H	MBC
WFG300 – Tostato Supremo® Double Italian-Style Flat Grill	1	76.1	3.60	23.375" x 19.375" x 13.75"	040072006142	1	78.9	24.125" x 20.25" x 14.5"	10040072006149



@waringcommercial

©2020 Waring Commercial
314 Ella T. Grasso Avenue, Torrington, CT 06790
Tel. 800-492-7464 • Fax 860-496-9008

waringcommercialproducts.com

20WC071647 / REV 06/20



WFG300T

Tostato Supremo®

Double Italian-Style Flat Grill

with Timer



MAIN FEATURES

- Flat cast iron plates for even heat distribution
- 17" x 9.25" cooking surface is great for grilling panini sandwiches, hamburgers, chicken, vegetables and more
- Brushed stainless steel body construction and removable drip tray
- Hinged, auto-balancing top plate to handle foods up to 3" thick
- Thermostat is adjustable to 570°F for slow-to-quick cooking times
- Adjustable back feet for easy grease drainage
- Dual power ON and READY indicator lights
- Heat-resistant handles; no need for mitts or potholders
- Improve time management with timer feature
- Limited One Year Warranty

ELECTRICAL

Voltage: 240

Frequency: 60Hz

Watts: 3200

Amps: 13.3

Plug Type: NEMA 6-20P 

Cord Length: 6.6 feet



SALES FEATURES

Make all of your signature sandwiches and more with the 240V Waring® WFG300T Tostato Supremo® Double Italian-Style Flat Grill. Flat cast iron plates heat evenly and quickly to cook sandwiches, burgers, chicken, and vegetables up to 3" thick. The brushed stainless steel body and removable drip tray are easy to clean. Includes adjustable thermostat to 570°F, plus POWER and READY indicator lights, and timer.



@waringcommercial

©2020 Waring Commercial
314 Ella T. Grasso Avenue, Torrington, CT 06790
Tel. 800-492-7464 • Fax 860-496-9008

waringcommercialproducts.com

Tostato Supremo® Double Italian-Style Flat Grill with Timer

WFG300T



Tostato Supremo® Double Italian-Style Flat Grill with Timer WFG300T

INCLUDED ACCESSORIES



CAC105 Cleaning Brush

OPTIONAL ACCESSORIES



CAC144 Silicone Spatula
for use with
Nonstick PTFE Sheets



029824 Allen Wrench



035551 Allen Wrench Holder

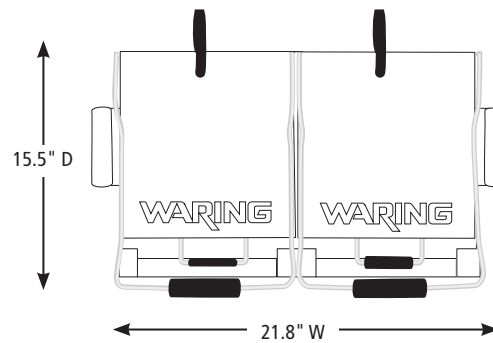
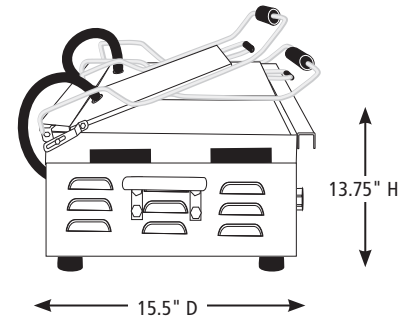
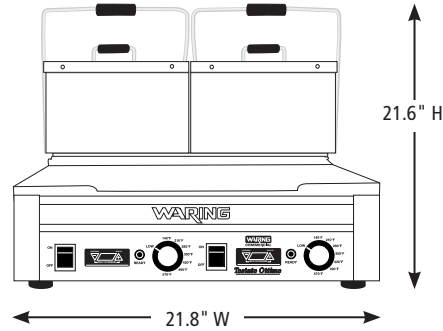


CAC172 Conversion Kit
with Clips and
3-Pack PTFE Sheets
(6 upper and
3 lower sheets)



CAC179 3-pack of
Custom PTFE Sheets
(6 upper and
3 lower sheets)

DIMENSIONS



Out of Box Weight: 75 lb.

ORDERING INFORMATION	#STD. PKG.	GIFTBOX WEIGHT	CUBIC FEET	BOX DIMENSIONS D X W X H	UPC	CASE PKG.	MC WEIGHT	MC DIMENSIONS D X W X H	MBC
WFG300T – Tostato Supremo® Double Italian-Style Flat Grill with Timer	1	76.1	3.60	23.375" x 19.375" x 13.75"	040072024580	1	78.9	24.125" x 20.25" x 14.5"	10040072024587



@waringcommercial

©2020 Waring Commercial
314 Ella T. Grasso Avenue, Torrington, CT 06790
Tel. 800-492-7464 • Fax 860-496-9008

waringcommercialproducts.com

20WC0745 / REV 06/20