



WFG275

Full Size 14" x 14" Flat Toasting Grill



Full Size 14" x 14" Flat Toasting Grill



MAIN FEATURES

- 120 Volts, 1800 watts of cooking power
- Flat cast-iron plates for even heat distribution and quick cooking time
- Large 14" x 14" cooking surface is ideal for grilling sandwiches, tortillas, quesadillas and more
- Brushed stainless steel body construction and removable drip tray
- Adjustable thermostat to 570°F
- Heat-resistant handles; no need for mitts or potholders
- Limited One Year Warranty

ELECTRICAL

Voltage: 120

Frequency: 60Hz

Watts: 1800

Amps: 15

Plug Type: NEMA 5-15P 



Cord Length: 5 feet

SALES FEATURES

Make delicious quesadillas, tortillas, paninis and more with the 120V Waring® WFG275 Full-Size 14" x 14" Flat Toasting Grill. Flat cast-iron plates heat evenly and quickly to cook sandwiches, burgers, chicken, and vegetables up to 3" thick. Its brushed stainless steel body and removable drip tray are easy to clean. Includes POWER and READY indicator lights.



@waringcommercial

©2020 Waring Commercial
314 Ella T. Grasso Avenue, Torrington, CT 06790
Tel. 800-492-7464 • Fax 860-496-9008

waringcommercialproducts.com

WFG275



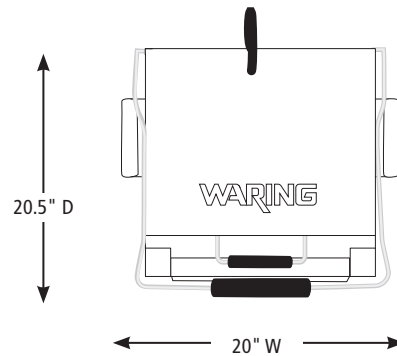
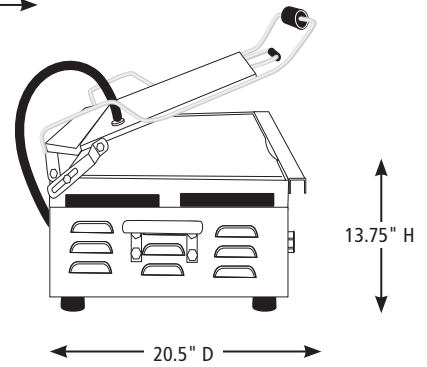
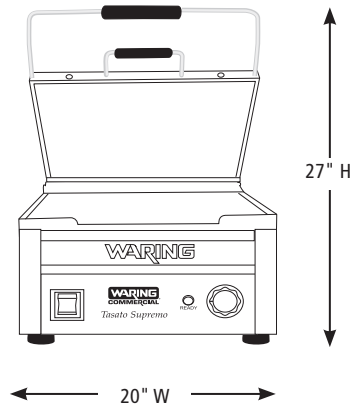
Full Size 14" x 14" Flat Toasting Grill WFG275

PARTS & ACCESSORIES



CAC105 Cleaning Brush

DIMENSIONS



Out of Box Weight: 83 lb.

ORDERING INFORMATION	#STD. PKG.	GIFTBOX WEIGHT	CUBIC FEET	BOX DIMENSIONS D X W X H	UPC	CASE PKG.	MC WEIGHT	MC DIMENSIONS D X W X H	MBC
WFG275 – Full Size 14" x 14" Flat Toasting Grill	1	82.6	4	25" x 20.125" x 13.75"	040072023484	1	86.2	25.5" x 20.875" x 15"	10040072023481



@waringcommercial

©2020 Waring Commercial
314 Ella T. Grasso Avenue, Torrington, CT 06790
Tel. 800-492-7464 • Fax 860-496-9008

waringcommercialproducts.com

20WC071645 / REV 04/20

WARING® COMMERCIAL PANINI GRILLS



Waring® Commercial Panini Grills

Features

- Cast-iron plates available in ribbed, flat, or half and half provide even heat distribution and reduced cooking time
- Brushed stainless steel body construction and removable drip tray
- Hinged, adjustable auto-balancing top plate to suit foods up to 3" thick
- Adjustable thermostat to 570°F
- Power ON and Ready indicator lights
- Limited One-Year Warranty



Reprogrammable Countdown Timer Versions Available On All Panini Grills

Ensures consistency • Minimizes overcooked food • Audible alert when time has expired



@WaringProducts1





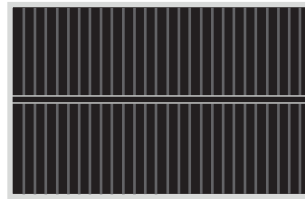
Waring® Commercial Panini Grills



- Cast-iron plates available in ribbed, flat, or half and half provide even distribution and cooking time
- Brushed stainless steel body construction and removable drip tray
- Hinged, adjustable auto-balancing top plate to suit foods up to 3" thick
- Adjustable thermostat to 570°F
- Power ON and Ready indicator lights
- Heat-resistant Handles
- Limited One-Year Warranty



WFG150
Tostato Perfetto®
Full Griddle



WPG150
Panini Perfetto®
Full Grill



WFG275
Tostato Supremo®
Full Griddle



WFG250
Tostato Supremo®
Full Griddle



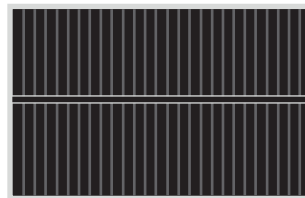
WPG250
Panini Supremo®
Full Grill



WPG250
Tostato Supremo®
Half Grill/Griddle



WFG300
Tostato Ottimo®
Full Griddle



WPG300
Panini Ottimo®
Full Grill



WPG300
Panini Ottimo®
Half Grill/Griddle



Reprogrammable Countdown Timer Versions Available On All Panini Grills

Ensures consistency • Minimizes overcooked food • Audible alert when time has expired

Ordering Information

Catalog #	Product Dimensions (H x W X D)	Std Pkg.	Ship Wt. (lbs.)	Cubic Feet	UPC Code
WFG150	14" x 19" x 15.5"	1	53.6	2.4	040072006166
WPG150	13.75" x 19" x 15.5"	1	56.6	2.4	040072006135
WFG275	13.75" x 20" x 20.5"	1	55	3.9	040072023484
WFG250	13.75" x 21.5" x 20.5"	1	62	3.5	040072006159
WPG250	13.8" x 21.5" x 20.5"	1	63	3.5	040072006128
WDG250	13.5" x 21.5" x 21.5"	1	63.5	3.6	040072008269
WFG300	13.75" x 23.25" x 19.5"	1	72	3.6	040072006142
WPG300	13.75" x 23.5" x 19.5"	1	74	3.6	040072006111
WDG300	13.75" x 23.5" x 19.5"	1	78.6	3.6	040072008276

©2014 Waring Commercial
Waring Commercial • 314 Ella T. Grasso Ave. • Torrington, CT 06790
Tel. (800) 492-7464 • Fax (860) 496-9008
www.waringcommercialproducts.com

14WC001020 PG-30236

@WaringProducts1

