



WDG250

Large Italian-Style Panini Grill



Large Italian-Style Panini Grill



MAIN FEATURES

- Ribbed top and flat bottom cast-iron plates are great for grilled panini sandwiches, hamburgers, chicken, vegetables and more
- 14.5" x 11" cooking surface with hinged, auto-balancing top plate to handle foods up to 3" thick
- Brushed stainless steel body construction and removable drip tray
- Adjustable thermostat to 570°F
- Adjustable back feet for easy grease drainage
- Power ON and READY indicator lights
- Heat-resistant handles; no need for mitts or potholders
- Limited One Year Warranty

ELECTRICAL

Voltage: 120

Frequency: 60Hz

Watts: 1800

Amps: 15

Plug Type: NEMA 5-15P 

Cord Length: 5 feet



SALES FEATURES

Make perfectly grilled panini sandwiches and more with the 120V Waring® WDG250 Large Italian-Style Panini Grill. Grooved, top cast-iron plate and flat cast-iron plate on the bottom heat evenly and quickly to cook sandwiches, burgers, chicken, and vegetables up to 3" thick. Its brushed stainless steel body and removable drip tray are easy to clean. Includes POWER and READY indicator lights.



@waringcommercial

©2020 Waring Commercial
314 Ella T. Grasso Avenue, Torrington, CT 06790
Tel. 800-492-7464 • Fax 860-496-9008

waringcommercialproducts.com

WDG250



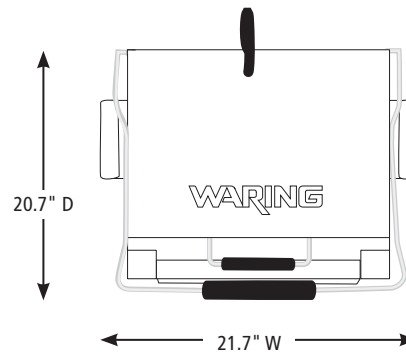
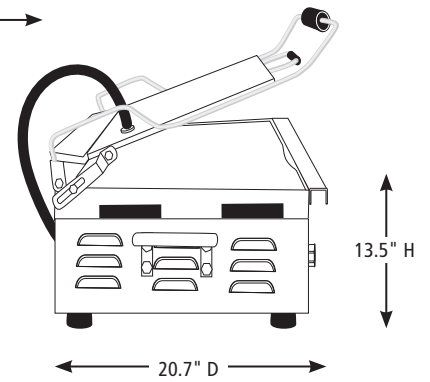
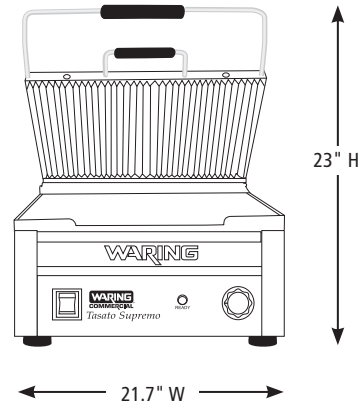
Large Italian-Style Panini Grill WDG250

PARTS & ACCESSORIES



CAC105 Cleaning Brush

DIMENSIONS



Out of Box Weight: 72 lb.

ORDERING INFORMATION	#STD. PKG.	GIFTBOX WEIGHT	CUBIC FEET	BOX DIMENSIONS D X W X H	UPC	CASE PKG.	MC WEIGHT	MC DIMENSIONS D X W X H	MBC
WDG250 – Large Italian-Style Panini Grill	1	71.55	3.5	21.625" x 20.625" x 13.75"	040072008269	1	74.45	22.25" x 21.5" x 14.5"	10040072008266



@waringcommercial

©2020 Waring Commercial
314 Ella T. Grasso Avenue, Torrington, CT 06790
Tel. 800-492-7464 • Fax 860-496-9008

waringcommercialproducts.com

20WC071644 / REV 04/20

WARING® COMMERCIAL PANINI GRILLS



Italian-Style Dual Surface Panini Grills

WDG250/WDG250C/WDG300

Features

- Combination flat and ribbed cast-iron plates
- Brushed stainless steel body and removable drip tray
- Hinged, auto-balancing top plate to suit foods up to 3" thick
- Adjustable thermostat to 570°F
- Power and ready indicator lights
- Heat-resistant handles
- Limited One Year Warranty





Italian-Style Dual Surface Panini Grills



WDG250/WDG250C/WDG300

Specifications

Item	Electrical	Plug-Type	Listings	Dimensions (H" x W" x D")	Cooking Surface	Warranty
WDG250	120 Volt, 15A	NEMA 5-15P 	UL, NSF	9.5" x 17.5" x 16"	14.5" x 11"	Limited 1 Year
WDG250C	120 Volt, 15A	NEMA 5-20P 	cUL, NSF	9.5" x 17.5" x 16"	14.5" x 11"	Limited 1 Year
WDG300	240 Volt, 13A	NEMA 6-20P 	UL, NSF	9.25" x 15.5" x 18.75"	17" x 9.25"	Limited 1 Year

Ordering Information

Description	Catalog #	Std Pkg.	Ship Wt. (lbs.)	Cubic Feet	UPC Code
Ribbed Top Plate/Flat Bottom Plate Grill	WDG250	1	76.7 lbs.	3.74	040072008269
Ribbed Top Plate/Flat Bottom Plate Grill	WDG250C	1	76.7 lbs.	3.74	040072009129
Half Flat Plates/Half Ribbed Plates Grill	WDG300	1	90 lbs.	3.56	040072008276

WDG250 & WDG250C



WDG300



Waring Commercial • 314 Ella T. Grasso Ave. • Torrington • Connecticut 06790
 Tel. (800) 492-7464 • Fax (860) 496-9008 • www.waringproducts.com • ©2007 Waring