



CB15TP

1 Gallon, Food Blender with Electronic Keypad and Timer



1 Gallon, Food Blender with Electronic Keypad and Timer



MAIN FEATURES

- Ultra heavy-duty, 3.75 HP commercial motor
- 3 speed selections and MAX PULSE to chop and mix
- Easy-to-clean and easy-to-use electronic membrane keypad
- Durable, high-performance stainless steel blade
- The stackable, 1 gallon, BPA-free copolyester container makes storage easy
- Easy-off, rubberized lid with removable clear cap for adding ingredients and for pressure reduction during hot food blending
- Metal-on-metal, stainless steel coupling system for durability and reliability
- Durable, full die-cast motor housing with rugged rubber feet to reduce vibration
- Dishwasher-safe, one-piece jar pad for easy cleaning
- Recommended for 100+ drinks or servings per day
- Limited Three-Year Motor Warranty

*Made in USA with US and foreign parts.

ELECTRICAL

Voltage: 120

Frequency: 60Hz

Watts: 1800

Amps: 15

Plug Type: NEMA 5-15P

Cord Length: 3 feet



SALES FEATURES

The Waring® CB15TP has your back when it comes to ultra heavy-duty blenders, making 100+ drinks per day. Chop, mix and shred large loads that need long blending times with a powerful 3.75 HP motor and electronic keypad controls and timer. The stackable, 1 gallon, BPA-free copolyester container makes storage easy.



@waringcommercial

©2020 Waring Commercial
314 Ella T. Grasso Avenue, Torrington, CT 06790
Tel. 800-492-7464 • Fax 860-496-9008

waringcommercialproducts.com

CB15TP



INCLUDED ACCESSORIES



CB15TB Base Unit



CAC77 Vinyl Lid for 1-Gallon Blender Jar



CBL10 Hot Blending Lid for 1-Gallon Blenders



CAC170 1-Gallon, Stackable, 128 oz., BPA-Free Copolyester Container with Blade Assembly and Lid

OPTIONAL ACCESSORIES



CAC125 Two-Handle, 1-Gallon Stainless Steel Container with Spigot, Blade Assembly and Lid



CAC32 48 oz. Glass Container Complete with Blade Assembly and Lid (requires AD1)



AD1 1-Quart Adapter for 1-Gallon Blenders



CAC19 48 oz., BPA-Free Copolyester Container Complete with Blade Assembly and Lid (requires AD1)



CAC33 32 oz. Stainless Steel Container Complete with Blade Assembly and Lid (requires AD1)



CAC02 Outer Lid ONLY for 48 oz., BPA-Free Copolyester or 64 oz. Stainless Steel Container

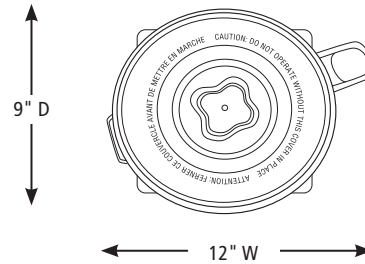
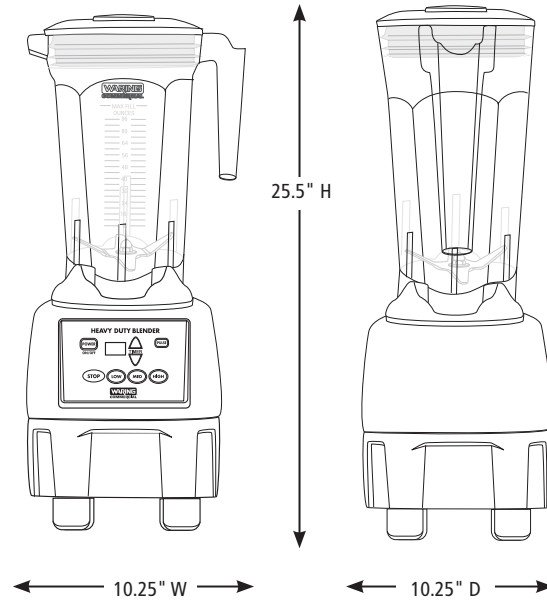


CAC04 Outer Lid ONLY for 32 oz. Stainless Steel Container



CAC05 Center Lid ONLY for CAC01, CAC02, and CAC04

DIMENSIONS



Out of Box Weight: 28.9 lb.

ORDERING INFORMATION	#STD. PKG.	GIFTBOX WEIGHT	CUBIC FEET	BOX DIMENSIONS D X W X H	UPC	CASE PKG.	MC WEIGHT	MC DIMENSIONS D X W X H	MBC
CB15TP – 1 Gallon, Food Blender with Electronic Keypad and Timer	1	35.0	2.722	14.375" x 14.875" x 22"	040072088254	1	35	15.3" x 16" x 22.5"	10040072088251

