



# Gas Appliance Connectors

## AG-5D

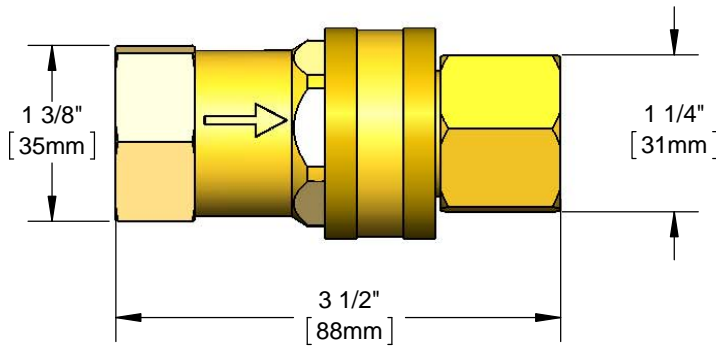
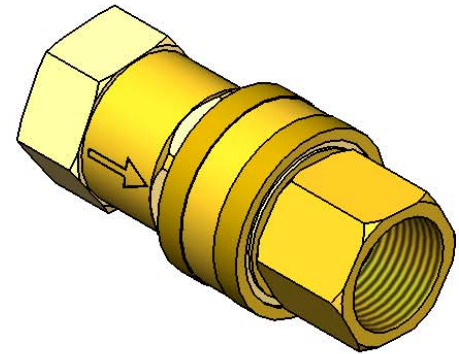
TAG:

### 3/4" NPT Quick Disconnect

**Architect/Engineering Specifications:**

2-Piece quick disconnect, 3/4" NPT. Certified to ANSI Z21.41 / CSA 6.9 and NSF 2.

Job Name \_\_\_\_\_  
 Model Specified \_\_\_\_\_ Quantity \_\_\_\_\_  
 Variations Specified \_\_\_\_\_  
 Date \_\_\_\_\_



**Features & Benefits:**

- 2-Piece quick disconnect
- 3/4" NPT female freespin inlet
- 3/4" NPT female freespin outlet
- Provides efficient, full gas flow
- Quick-disconnect socket acts as shut-off valve when the plug and socket are disconnected
- Material: Brass socket & plug

**Product Compliance:**

- ANSI Z21.41 / CSA 6.9
- NSF 2
- NFPA 54



**Warranty:** Five Year (Limited)

**Performance Data:**

- Pressure: 0.5 psi max
- Temperature: 350 °F max w/ Fusible Link Thermal Shut-off
- Flow Rate: 212,000 BTU/HR min (Tested at 1000 BTU/HR, SG=0.64, Pressure Drop=0.3" Water Column)
- Quick Disconnect on Various Size and Length Connectors (Tested at 1000 BTU/HR, SG=0.64, Pressure Drop=0.5" Water Column)

Model	Size	Connector Length				
		24"	36"	48"	60"	72"
AG-5D	3/4"	235,000	220,000	180,000	290,000	140,000



**T&S BRASS AND BRONZE WORKS, INC.**



• 2 Saddleback Cove • Travelers Rest, SC 29690  
 Ph 800-476-4103 • Fax 864-834-3518  
 • Simi Valley, CA • Ph 800-423-0150 • www.tsbrass.com

Date: 07/24/15