

PFC SERIES MODELS

VENTLESS/HOODLESS COUNTERTOP DEEP FRYER



Advanced by Design



- SELF VENTING
- ODORLESS
- HEPA STYLE AIR FILTRATION
- INTEGRAL FIRE SUPPRESSION
- PROGRAMMABLE CONTROLS
- EASY TO CLEAN
- SMALL FOOTPRINT
- LARGE OUTPUT
- MODULAR DESIGN



PERFECT FRY COMPANY
42 Allen Martin Drive
Essex Junction, VT 05452

Phone: (802) 658-6600
Fax: (802) 864-0183

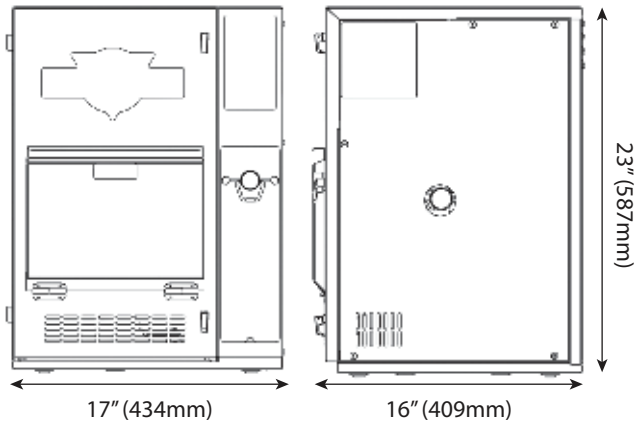
www.perfectfry.com

The Benchmark in Ventless Deep Frying

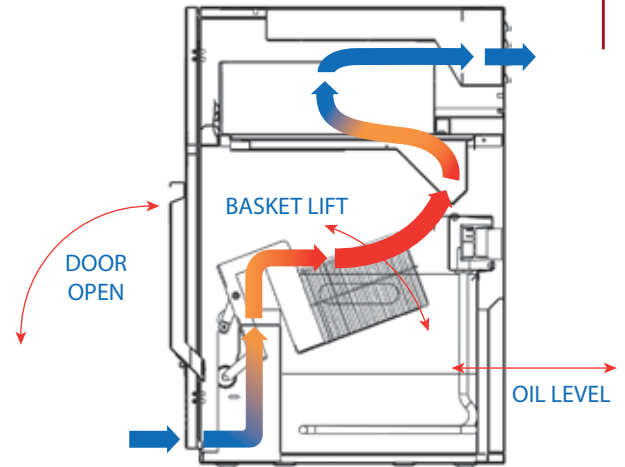


CLEARANCES

1" all around and 0" on top.



AIRFLOW DIAGRAM

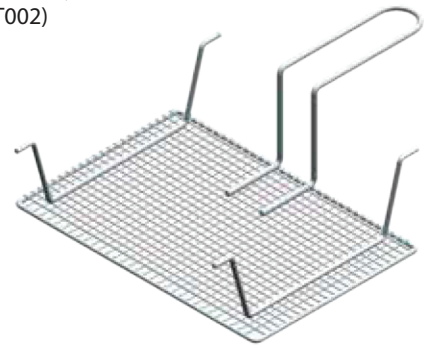


SPECIFICATIONS TABLE

MODEL	PFC570	PFC375	PFC570	PFC187
Power Supply (volts) ¹	240	240	208	120
Current (amps)*	24	16	27	16
Cord Option	8/3 Power Cord, NEMA 6-50 Plug	8/3 Power Cord, NEMA 6-50 Plug	8/3 Power Cord, NEMA 6-50 Plug	10/3 Power Cord, NEMA 5-20 Plug
Power (kilowatts)	5.7	3.8	5.7	1.9
Capacity (lb/hr)†***	60	45	60	30

BASKETS

OPTIONAL BASKET COVER
(ordered separately
part no. 6HT002)



GENERAL SPECIFICATIONS

All Models

Phase	3 phase (3 wire)
Cycles	50/60 Hz
Weight	80 lbs (36 kg)
Shipping Weight	95 lbs (43 kg)
Shipping Dimensions	Depth 22" (559 mm) Width 22" (559 mm) Height 27" (686 mm)
Shipping Cube	7.56 ft ³ (.214 m ³)
Oil Capacity	2 US Gallons (8 L)
Construction	304 Stainless Steel

*International models available upon request

** Using 1 1/2 minute fast fries

*** Locking cabinet option also available

EXTRA LARGE
(32oz/6 servings)

