

KOOL-IT

Signature

KTSR-2

DOUBLE SOLID DOOR TOP MOUNT REFRIGERATOR

All-stainless steel construction, heavy-duty refrigeration system that delivers reliable and efficient cold storage with superior quality.



KEY FEATURES



• Eco-Friendly Refrigerant

Environmentally friendly R290 hydrocarbon refrigerant has low Global Warming Potential (GWP). Meets all USA, California & Canada refrigerant & energy standards.



• Digital Control

Digital temperature controls and display with automatic defrost system.



• High Power Reliable Refrigeration System

Fast pull down, optimal internal air circulation and reliable refrigeration, maintaining cooler temperatures for food preservation.



• Standard LED Lighting System

Ultra bright low energy interior LED illumination system provides optimal merchandise display visibility.



• Durable, Self-contained System

Stainless steel exterior and interior, coated evaporator coil and oversized top mount compressor



Intertek



Intertek



ENERGY STAR



NEMA 5-15P

Signature **40/80 Warranty**
40 months parts and labor
80 months on compressor (part only)



3560 NW 56th Street
Fort Lauderdale, FL, United States 33309
Telephone: 786.600.4687 / Toll Free: 844.218.8477
Fax: 786.661.4100

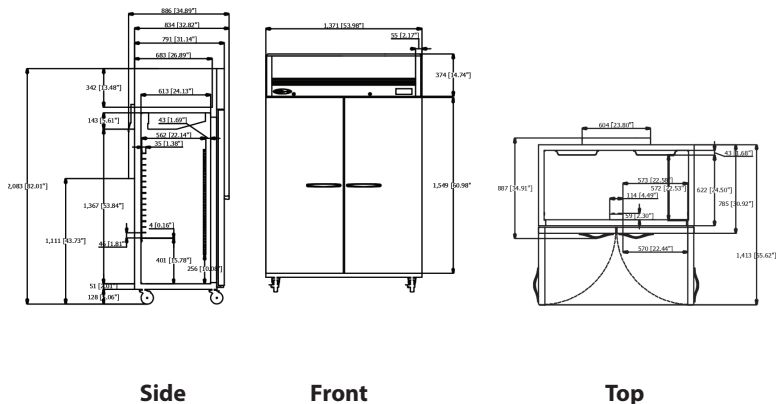
5659 Royalmount Ave.
Montreal, QC, Canada H4P 2P9
Telephone: 514.737.9701 / Toll Free: 888.275.4538
Fax: 514.342.3854 / Toll Free: 877.453.8832
sales@mvpgroupcorp.com / mvpgroupcorp.com



KT SR-2

DOUBLE SOLID DOOR TOP MOUNT REFRIGERATOR

PRODUCT VIEWS



Side

Front

Top

ADDITIONAL FEATURES



Door Lock & Key set for security



Heavy-duty 5" castors (2 with brakes)



Self-closing doors with stay open feature



Open door alert beeps when door has been open for 3 minutes



Foamed-in-place high-density CFC-free polyurethane insulation



Tight-sealing magnetic vinyl gaskets

TECHNICAL SPECIFICATIONS

Exterior Dimensions		Interior Dimensions	
W:	53.98" (1370 mm)	W:	50" (1261 mm)
D:	34.9" (886 mm)	D:	24.5" (574 mm)
H:	82" (2083 mm)	H:	53.8" (1366 mm)
Interior Capacity			
43.6 Cu Ft 1235 L			
Doors	Material	Shelves	
2	Stainless Steel	6	
Exterior Material		Stainless Steel	
Interior Material		Stainless Steel	

REFRIGERATION PERFORMANCE

Refrigerant	R290
Compressor Power	1/4 HP
Thermostat default setting	33°F (0.5°C) to 39°F (4°C)

ELECTRICAL

Power Supply	Amps	Lighting
115V/60Hz	3.2A	LED Interior
Plug Type		
NEMA 5-15P		

LOGISTICS

Shipping Weight
448 lb (203 kg)