

# KOOL-IT

*Signature*

## KTSF-3

### TRIPLE SOLID DOOR TOP MOUNT FREEZER

All-stainless steel construction, heavy-duty refrigeration system that delivers reliable and efficient cold storage with superior quality.



#### KEY FEATURES



• **Eco-Friendly Refrigerant**

Environmentally friendly R290 hydrocarbon refrigerant has low Global Warming Potential (GWP). Meets all USA, California & Canada refrigerant & energy standards.



• **Digital Control**

Digital temperature controls and display with automatic defrost system.



• **High Power Reliable Refrigeration System**

Fast pull down, optimal internal air circulation and reliable refrigeration, maintaining cooler temperatures for food preservation.



• **Standard LED Lighting System**

Ultra bright low energy interior LED illumination system provides optimal merchandise display visibility.



• **Durable, Self-contained System**

Stainless steel exterior and interior, coated evaporator coil and oversized top mount compressor



*Signature* **40/80 Warranty**  
40 months parts and labor  
80 months on compressor (part only)



3560 NW 56th Street  
Fort Lauderdale, FL, United States 33309  
Telephone: 786.600.4687 / Toll Free: 844.218.8477  
Fax: 786.661.4100

5659 Royalmount Ave.  
Montreal, QC, Canada H4P 2P9  
Telephone: 514.737.9701 / Toll Free: 888.275.4538  
Fax: 514.342.3854 / Toll Free: 877.453.8832  
sales@mvpgroupcorp.com / mvpgroupcorp.com

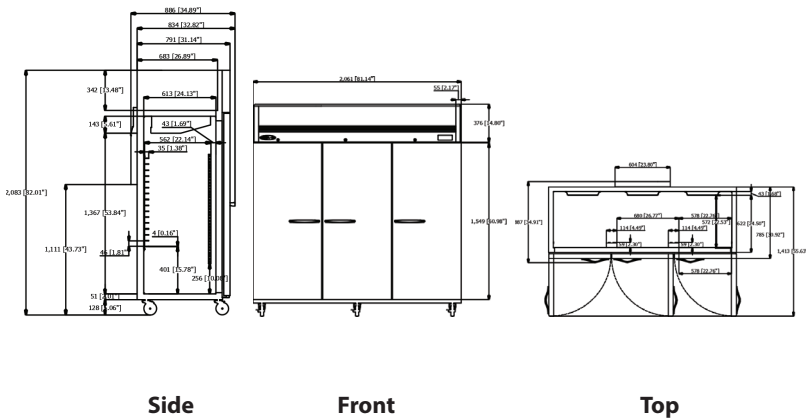
# KOOL-IT

## Signature

# KTSF-3

## TRIPLE SOLID DOOR TOP MOUNT FREEZER

### PRODUCT VIEWS



Side

Front

Top

### ADDITIONAL FEATURES



Door Lock & Key set for security



Heavy-duty 5" castors (2 with brakes)



Self-closing doors with stay open feature



Open door alert beeps when door has been open for 3 minutes



Foamed-in-place high-density CFC-free polyurethane insulation



Tight-sealing magnetic vinyl gaskets

### TECHNICAL SPECIFICATIONS

Exterior Dimensions		Interior Dimensions	
W:	81" (2060 mm)	W:	76.7" (1948 mm)
D:	34.9" (886 mm)	D:	24.5" (574 mm)
H:	82" (2083 mm)	H:	53.8" (1366 mm)

#### Interior Capacity

67.9 Cu Ft  
1923 L

Doors	Material	Shelves
3	Stainless Steel	9
<b>Exterior Material</b>		Stainless Steel
<b>Interior Material</b>		Stainless Steel

### REFRIGERATION PERFORMANCE

#### Refrigerant

R290

#### Compressor Power

1 HP

#### Thermostat default setting

5°F (-15°C) to -9°F (-23°C)

### ELECTRICAL

Power Supply	Amps	Lighting
115V/60Hz	8.4A	LED Interior
<b>Plug Type</b>		
NEMA 5-15P		

### LOGISTICS

#### Shipping Weight

600 lb (272 kg)