



# KPT-67-2

## DOUBLE DOOR PIZZA PREP TABLE

All-stainless steel construction, heavy-duty refrigeration system that delivers reliable and efficient cold storage with superior quality.



### KEY FEATURES



**• Eco-Friendly Refrigerant**  
Environmentally friendly R290 hydrocarbon refrigerant has low Global Warming Potential (GWP). Meets all USA, California & Canada refrigerant & energy standards.



**• Digital Control**  
Digital temperature controls and display with automatic defrost system.



**• High Power Reliable Refrigeration System**  
Fast pull down, optimal internal air circulation and reliable refrigeration, maintaining cooler temperatures for food preservation.



**• Durable, Self-contained System**  
Stainless steel exterior and interior, coated evaporator coil and oversized side-mounted compressor



*Signature* **40/80 Warranty**  
40 months parts and labor  
80 months on compressor (part only)



3560 NW 56th Street  
Fort Lauderdale, FL, United States 33309  
Telephone: 786.600.4687 / Toll Free: 844.218.8477  
Fax: 786.661.4100

5659 Royalmount Ave.  
Montreal, QC, Canada H4P 2P9  
Telephone: 514.737.9701 / Toll Free: 888.275.4538  
Fax: 514.342.3854 / Toll Free: 877.453.8832  
sales@mvpgroupcorp.com / mvpgroupcorp.com

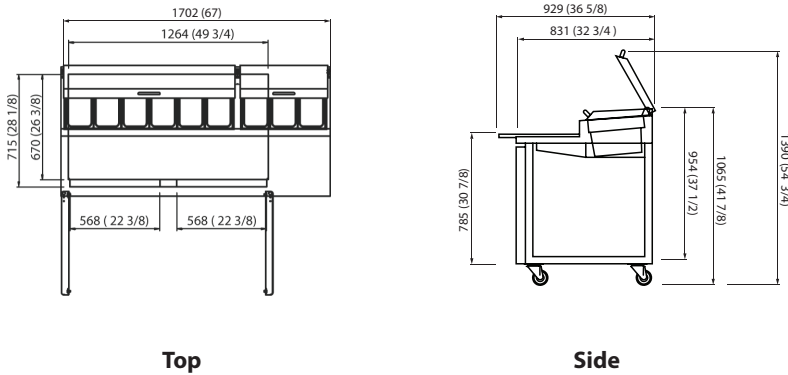


# KPT-67-2

## DOUBLE DOOR

### PIZZA PREP TABLE

#### PRODUCT VIEWS



Top

Side

#### ADDITIONAL FEATURES



Removable, easy to clean 18.9" deep cutting board



Equipped with 6 4" polycarbonate food pans (can accommodate 6" pans of left side of unit - note: right side can only accommodate 4" pans due to air circulation)



Heavy-duty 5" castors (2 with brakes)



Self-closing doors with stay open feature



Foamed-in-place high-density CFC-free polyurethane insulation



Tight-sealing magnetic vinyl gaskets



1" thick insulated lid

#### TECHNICAL SPECIFICATIONS

Exterior Dimensions		Interior Dimensions	
<b>W:</b>	60.4" (1534 mm)	<b>W:</b>	55.3" (1405 mm)
<b>D:</b>	36.625" (929 mm)	<b>D:</b>	26.375" (670 mm)
<b>H:</b>	41.875" (1065 mm)	<b>H:</b>	23.4" (594 mm)

#### Interior Capacity

16.7 Cu Ft  
473 L

Doors	Material	Shelves	Pan Capacity (Type Included)
2	Stainless Steel	4	9 (1/3 x 4")
<b>Exterior Material</b>		Stainless Steel	
<b>Interior Material</b>		Stainless Steel	

#### REFRIGERATION PERFORMANCE

##### Refrigerant

R290

##### Compressor Power

1/4 HP

##### Thermostat default setting

33°F (0.5°C) to 39°F (4°C)

#### ELECTRICAL

##### Power Supply

115V/60Hz

##### Amps

3.5A

##### Plug Type

NEMA 5-15P

#### LOGISTICS

Unit Weight	Shipping Dimensions	
368 lb (167 kg)	<b>W:</b>	48.4" (1229 mm)
<b>Shipping Weight</b> 397 lb (180 kg)	<b>D:</b>	37" (940 mm)
	<b>H:</b>	44.3" (1125 mm)