


CWTF15-TC

Height: 17.9" Width: 9.0" Depth: 18.5"
(45.5cm) (22.9cm) (47.0cm)

- Models are space saving 9" wide (22.9cm)
- Accepts thermal carafe up to 8.5" (21.6 cm) tall
- All stainless steel construction
- Hot water faucet (requires active plumbing connection)
- Pourover feature
- SplashGard® funnel deflects hot liquids away from the hand
- Use in quick turn environments where high quality coffee is continuously refreshed
- Servers not included unless otherwise noted

NO IMAGE
AVAILABLE

 Server(s) sold separately

Agency:

Specifications

Product #: 12950.6104

Faucet: Upper

Water Access: Plumbed

Finish: Stainless

Funnel: Stainless Steel

Additional Features

Electrical & Capacity

| Volts* | Amps | Watts | Cord Attached | Plug Type | 8oz cups/hr 236ml cups/hr | Input H ₂ O Temp. | Phase | # Wires plus Ground | Hertz |
|--------|------|-------|---------------|-----------|------------------------------|---------------------------------|-------|------------------------|-------|
| - | - | - | - | - | 62 | 60°F (15.5°C) | - | - | - |

*When a BUNN is machine rated 120/208-240V, 120/208V or 120/240V, the higher voltage is the supply voltage needed to power the machine. The 120V is there to supply power to some components rated 120V in the machine, but it is not the supply voltage and would not power the machine if the machine is marked with the before mentioned ratings.

Plumbing Requirements

| PSI | kPa | Fitting Supplied | Water Flow Required (GPM) |
|-------|---------|-------------------------|---------------------------|
| 20-90 | 138-621 | 1/4" Male Flare Fitting | - |

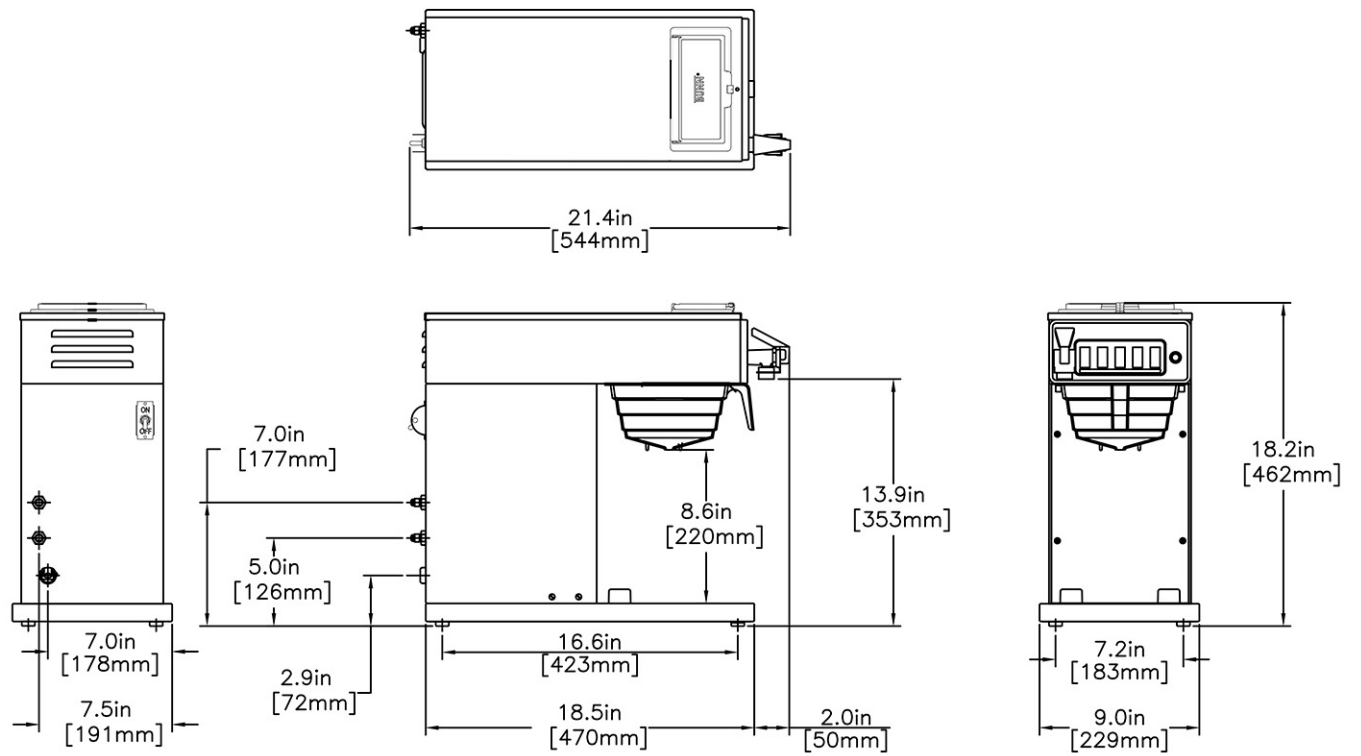
CAD Drawings

| 2D | Revit | KLC |
|----|-------|-----|
| ● | | |



BUNN® reserves the right to change specifications and product design without notice. Such revisions do not entitle the buyer to corresponding changes, improvements, additions or replacements for previously purchased equipment. For most current specifications and other info visit bunn.com.

Last Updated:
03/22/2021



| Unit | | | Shipping | | | | | |
|---------|----------|---------|----------|--------|-------|-------|--------|--------|
| | Height | Width | Depth | Height | Width | Depth | Weight | Volume |
| English | 17.9 in. | 9.0 in. | 18.5 in. | - | - | - | - | - |
| Metric | 45.5 cm | 22.9 cm | 47.0 cm | - | - | - | - | - |



BUNN® reserves the right to change specifications and product design without notice. Such revisions do not entitle the buyer to corresponding changes, improvements, additions or replacements for previously purchased equipment. For most current specifications and other info visit bunn.com.

Last Updated:
03/22/2021

Related Products & Accessories: CWTF15-TC(12950.6104)



FILTERS,REG/1M

Product #: 20115.6000



BUNN® reserves the right to change specifications and product design without notice. Such revisions do not entitle the buyer to corresponding changes, improvements, additions or replacements for previously purchased equipment. For most current specifications and other info visit bunn.com.

Last Updated:
03/22/2021

Serving & Holding Options: CWTF15-TC(12950.6104)



ACC, 1.9L THERMAL
CARAFE SST

Product #: 18022.6002



THERMAL CARAFE, BLK
1.9L 12PK

Product #: 36029.0000



THERMAL CARAFE, BLK
1.83 L 1PK

Product #: 36029.0001



THERMAL CARAFE, ORN
1.9L 12PK

Product #: 36252.0000



THERMAL CARAFE, ORN
1.9L 1PK

Product #: 36252.0001



CARAFE, SST 1.9L SHRT
BLK 1

Product #: 40163.0000



BUNN® reserves the right to change specifications and product design without notice. Such revisions do not entitle the buyer to corresponding changes, improvements, additions or replacements for previously purchased equipment. For most current specifications and other info visit bunn.com.


Last Updated:
03/22/2021

CWTF35-TC

Height: 17.9" (45.5cm) Width: 9.0" (22.9cm) Depth: 18.5" (47.0cm)

- Models are space saving 9" wide (22.9cm)
- Accepts thermal carafe up to 8.5" (21.6 cm) tall
- All stainless steel construction
- Hot water faucet (requires active plumbing connection)
- Pourover feature
- SplashGard® funnel deflects hot liquids away from the hand
- Use in quick turn environments where high quality coffee is continuously refreshed
- Servers not included unless otherwise noted



 Server(s) sold separately

Agency:

Specifications

Product #: 12950.6107

Faucet: Upper

Water Access: Plumbed

Finish: Stainless

Funnel: Black Plastic

Additional Features

Electrical & Capacity

| Volts* | Amps | Watts | Cord Attached | Plug Type | 8oz cups/hr 236ml cups/hr | Input H ₂ O Temp. | Phase | # Wires plus Ground | Hertz |
|--------|------|-------|---------------|-----------|------------------------------|---------------------------------|-------|------------------------|-------|
| - | - | - | - | - | 109 | 60°F (15.5°C) | - | - | - |

*When a BUNN is machine rated 120/208-240V, 120/208V or 120/240V, the higher voltage is the supply voltage needed to power the machine. The 120V is there to supply power to some components rated 120V in the machine, but it is not the supply voltage and would not power the machine if the machine is marked with the before mentioned ratings.

Plumbing Requirements

| PSI | kPa | Fitting Supplied | Water Flow Required (GPM) |
|-------|---------|-------------------------|---------------------------|
| 20-90 | 138-621 | 1/4" Male Flare Fitting | - |

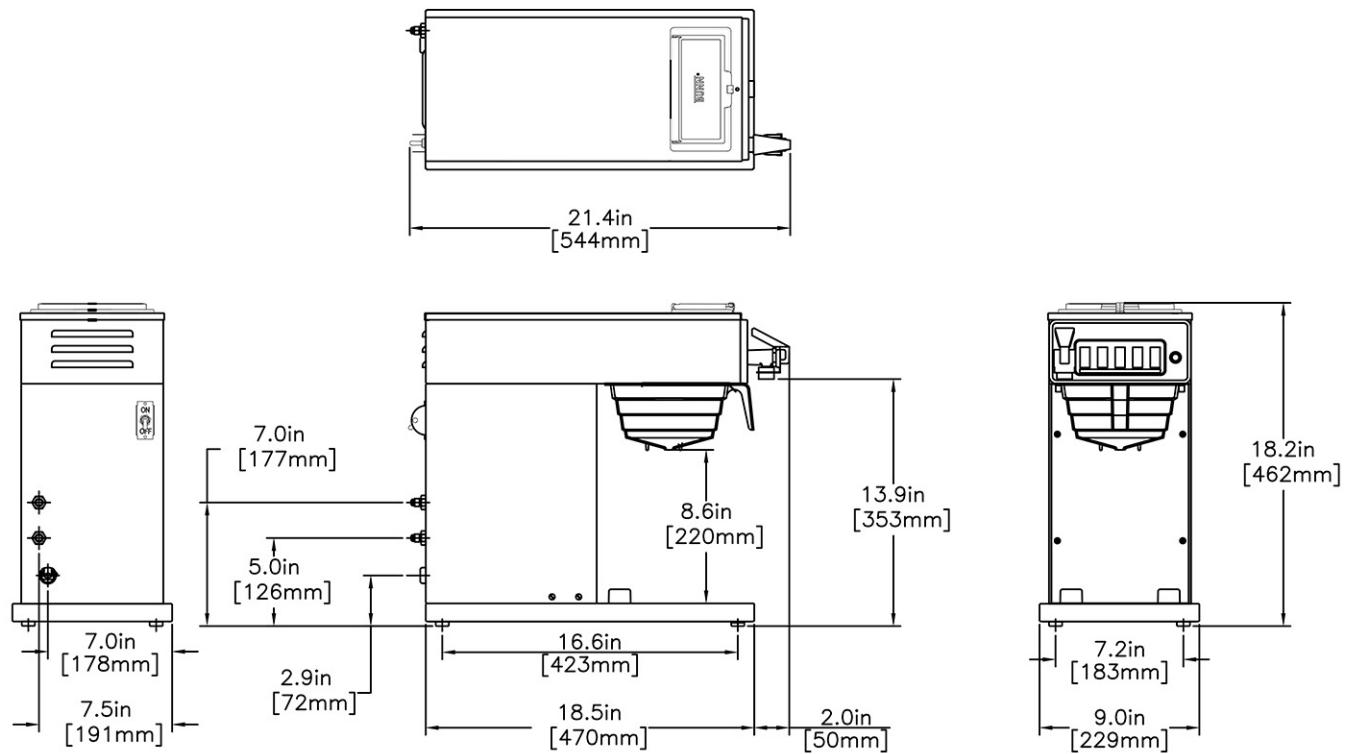
CAD Drawings

| 2D | Revit | KLC |
|----|-------|-----|
| ● | | |



BUNN® reserves the right to change specifications and product design without notice. Such revisions do not entitle the buyer to corresponding changes, improvements, additions or replacements for previously purchased equipment. For most current specifications and other info visit bunn.com.

Last Updated:
03/22/2021



| Unit | | | Shipping | | | | | |
|---------|----------|---------|----------|--------|-------|-------|--------|--------|
| | Height | Width | Depth | Height | Width | Depth | Weight | Volume |
| English | 17.9 in. | 9.0 in. | 18.5 in. | - | - | - | - | - |
| Metric | 45.5 cm | 22.9 cm | 47.0 cm | - | - | - | - | - |



BUNN® reserves the right to change specifications and product design without notice. Such revisions do not entitle the buyer to corresponding changes, improvements, additions or replacements for previously purchased equipment. For most current specifications and other info visit bunn.com.

Last Updated:
03/22/2021

Related Products & Accessories: CWTF35-TC(12950.6107)



FILTERS,REG/1M

Product #: 20115.6000



BUNN® reserves the right to change specifications and product design without notice. Such revisions do not entitle the buyer to corresponding changes, improvements, additions or replacements for previously purchased equipment. For most current specifications and other info visit bunn.com.

Last Updated:
03/22/2021

Serving & Holding Options: CWTF35-TC(12950.6107)



ACC, 1.9L THERMAL
CARAFE SST

Product #: 18022.6002



THERMAL CARAFE, BLK
1.9L 12PK

Product #: 36029.0000



THERMAL CARAFE, BLK
1.83 L 1PK

Product #: 36029.0001



THERMAL CARAFE, ORN
1.9L 12PK

Product #: 36252.0000



THERMAL CARAFE, ORN
1.9L 1PK

Product #: 36252.0001



CARAFE, SST 1.9L SHRT
BLK 1

Product #: 40163.0000



BUNN® reserves the right to change specifications and product design without notice. Such revisions do not entitle the buyer to corresponding changes, improvements, additions or replacements for previously purchased equipment. For most current specifications and other info visit bunn.com.


Last Updated:
03/22/2021

CWTF-DV-TC

Height: 17.9" Width: 9.0" Depth: 18.5"
(45.5cm) (22.9cm) (47.0cm)



- Models are space saving 9" wide (22.9cm)
- Accepts thermal carafe up to 8.5" (21.6 cm) tall
- All stainless steel construction
- Hot water faucet (requires active plumbing connection)
- Pour-over feature
- SplashGard® funnel deflects hot liquids away from the hand
- Use in quick turn environments where high quality coffee is continuously refreshed
- Servers not included unless otherwise noted

 Server(s) sold separately

Agency:

Specifications

Product #: 12950.6123

Faucet: Upper

Water Access: Plumbed

Finish: Stainless

Funnel: Black Plastic

Additional Features

Electrical & Capacity

| Volts* | Amps | Watts | Cord Attached | Plug Type | 8oz cups/hr 236ml cups/hr | Input H ₂ O Temp. | Phase | # Wires plus Ground | Hertz |
|--------|------|-------|---------------|-----------|------------------------------|---------------------------------|-------|------------------------|-------|
| - | - | - | - | - | - | 60°F (15.5°C) | - | - | - |

*When a BUNN is machine rated 120/208-240V, 120/208V or 120/240V, the higher voltage is the supply voltage needed to power the machine. The 120V is there to supply power to some components rated 120V in the machine, but it is not the supply voltage and would not power the machine if the machine is marked with the before mentioned ratings.

Plumbing Requirements

| PSI | kPa | Fitting Supplied | Water Flow Required (GPM) |
|-------|---------|-------------------------|---------------------------|
| 20-90 | 138-621 | 1/4" Male Flare Fitting | - |

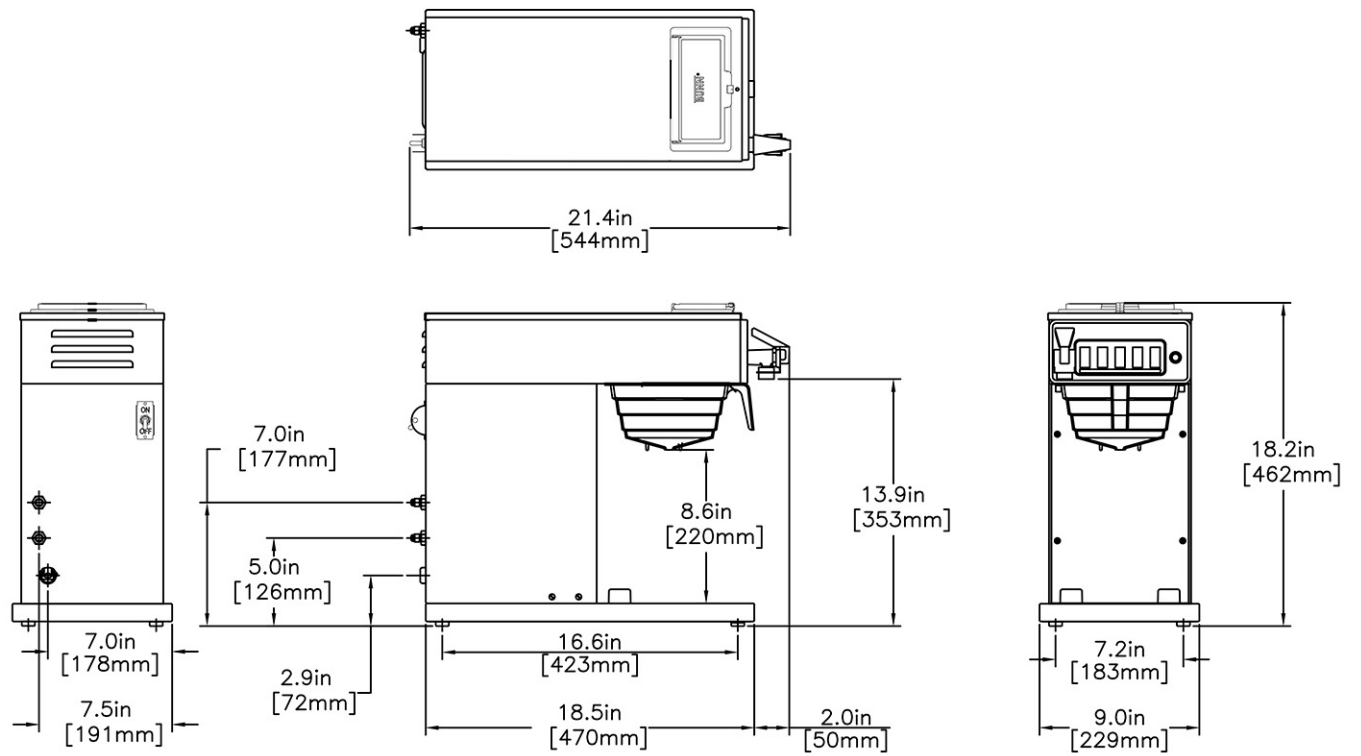
CAD Drawings

| 2D | Revit | KLC |
|----|-------|-----|
| ● | | |



BUNN® reserves the right to change specifications and product design without notice. Such revisions do not entitle the buyer to corresponding changes, improvements, additions or replacements for previously purchased equipment. For most current specifications and other info visit bunn.com.

Last Updated:
03/22/2021



| Unit | | | Shipping | | | | | |
|---------|----------|---------|----------|--------|-------|-------|--------|--------|
| | Height | Width | Depth | Height | Width | Depth | Weight | Volume |
| English | 17.9 in. | 9.0 in. | 18.5 in. | - | - | - | - | - |
| Metric | 45.5 cm | 22.9 cm | 47.0 cm | - | - | - | - | - |



BUNN® reserves the right to change specifications and product design without notice. Such revisions do not entitle the buyer to corresponding changes, improvements, additions or replacements for previously purchased equipment. For most current specifications and other info visit bunn.com.

Last Updated:
03/22/2021

Related Products & Accessories: CWTF-DV-TC(12950.6123)



FILTERS,REG/1M

Product #: 20115.6000



BUNN® reserves the right to change specifications and product design without notice. Such revisions do not entitle the buyer to corresponding changes, improvements, additions or replacements for previously purchased equipment. For most current specifications and other info visit bunn.com.

Last Updated:
03/22/2021

Serving & Holding Options: CWTF-DV-TC(12950.6123)



ACC, 1.9L THERMAL
CARAFE SST

Product #: 18022.6002



THERMAL CARAFE, BLK
1.9L 12PK

Product #: 36029.0000



THERMAL CARAFE, BLK
1.83 L 1PK

Product #: 36029.0001



THERMAL CARAFE, ORN
1.9L 12PK

Product #: 36252.0000



THERMAL CARAFE, ORN
1.9L 1PK

Product #: 36252.0001



CARAFE, SST 1.9L SHRT
BLK 1

Product #: 40163.0000



BUNN® reserves the right to change specifications and product design without notice. Such revisions do not entitle the buyer to corresponding changes, improvements, additions or replacements for previously purchased equipment. For most current specifications and other info visit bunn.com.

Last Updated:
03/22/2021

CWTF15-TS

Height: 27.6" Width: 9.0" Depth: 18.5"
(70.1cm) (22.9cm) (47.0cm)

- Internal components are constructed from stainless steel
- Pourover feature
- Servers not included unless otherwise noted



Server(s) sold separately

Agency:

Specifications

Product #: 23000.6012

Faucet: Upper

Water Access: Plumbed

Finish: Black

Funnel: Black Plastic

Additional Features

Electrical & Capacity

| Volts* | Amps | Watts | Cord Attached | Plug Type | 8oz cups/hr 236ml cups/hr | Input H ² O Temp. | Phase | # Wires plus Ground | Hertz |
|--------|------|-------|---------------|-----------|------------------------------|---------------------------------|-------|------------------------|-------|
| - | - | - | - | - | 61 | 60°F (15.5°C) | - | - | - |

*When a BUNN is machine rated 120/208-240V, 120/208V or 120/240V, the higher voltage is the supply voltage needed to power the machine. The 120V is there to supply power to some components rated 120V in the machine, but it is not the supply voltage and would not power the machine if the machine is marked with the before mentioned ratings.

Plumbing Requirements

| PSI | kPa | Fitting Supplied | Water Flow Required (GPM) |
|-------|---------|-------------------------|---------------------------|
| 20-90 | 138-621 | 1/4" Male Flare Fitting | - |

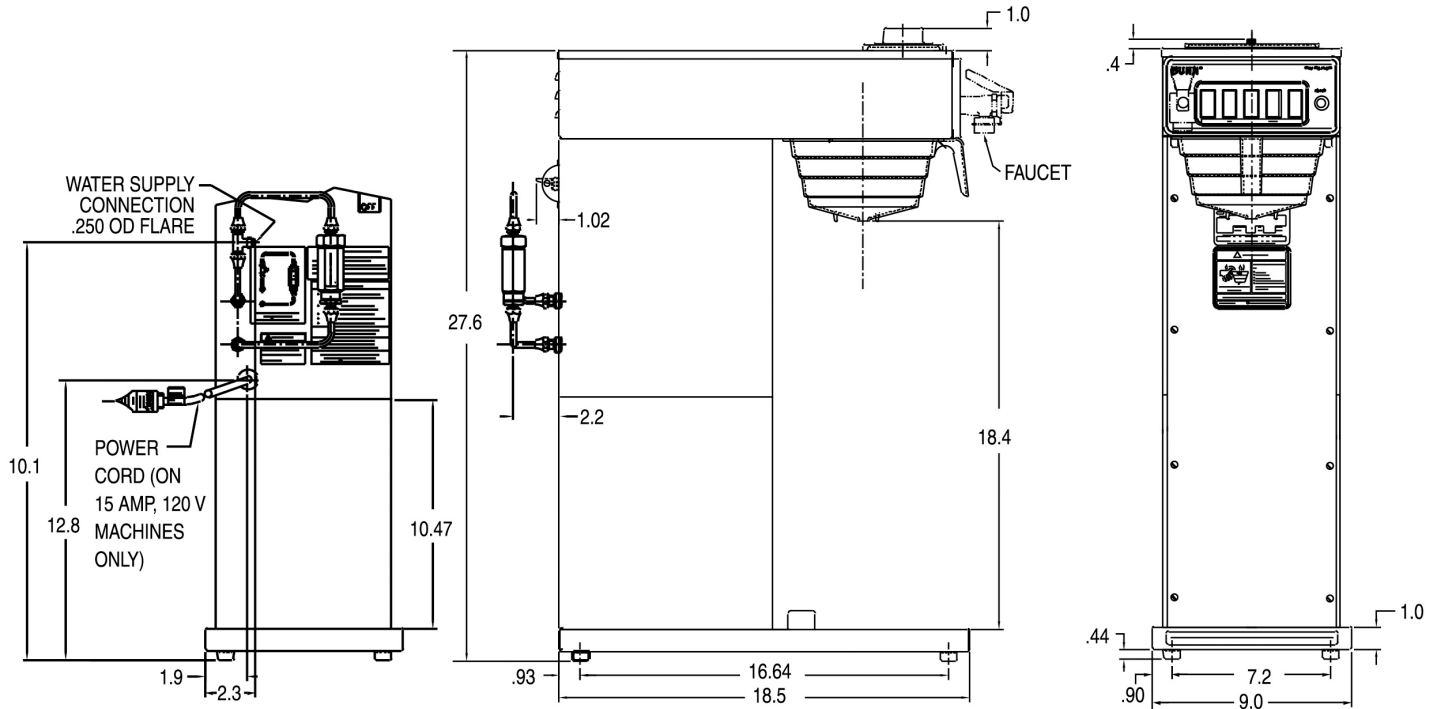
CAD Drawings

| 2D | Revit | KLC |
|----|-------|-----|
| ● | | |



BUNN® reserves the right to change specifications and product design without notice. Such revisions do not entitle the buyer to corresponding changes, improvements, additions or replacements for previously purchased equipment. For most current specifications and other info visit bunn.com.

Last Updated:
03/22/2021



| Unit | | | Shipping | | | | | |
|---------|----------|---------|----------|--------|-------|-------|--------|--------|
| | Height | Width | Depth | Height | Width | Depth | Weight | Volume |
| English | 27.6 in. | 9.0 in. | 18.5 in. | - | - | - | - | - |
| Metric | 70.1 cm | 22.9 cm | 47.0 cm | - | - | - | - | - |



BUNN® reserves the right to change specifications and product design without notice. Such revisions do not entitle the buyer to corresponding changes, improvements, additions or replacements for previously purchased equipment. For most current specifications and other info visit bunn.com.

Last Updated:
03/22/2021

Related Products & Accessories: CWTF15-TS(23000.6012)



TSB, THERMAL SERVER
BOOSTER

Product #: 18010.6000



FILTERS,REG/1M

Product #: 20115.6000



BUNN® reserves the right to change specifications and product design without notice. Such revisions do not entitle the buyer to corresponding changes, improvements, additions or replacements for previously purchased equipment. For most current specifications and other info visit bunn.com.

Last Updated:
03/22/2021

Serving & Holding Options: CWTF15-TS(23000.6012)

NO IMAGE
AVAILABLE

ACC,THERMAL SERVER
GLS 2.5L STD BTL

Product #:23300.6101

NO IMAGE
AVAILABLE

ACC,THERMAL SERVER
SST 2.5L STD BTL

Product #:23300.6120



BUNN® reserves the right to change specifications and product design without notice. Such revisions do not entitle the buyer to corresponding changes, improvements, additions or replacements for previously purchased equipment. For most current specifications and other info visit bunn.com.


Last Updated:
03/22/2021

CWTF35-TS

Height: 27.6" Width: 9.0" Depth: 18.5"
(70.1cm) (22.9cm) (47.0cm)

- Hot water faucet
- Internal components are constructed from stainless steel
- Pourover feature
- Servers not included unless otherwise noted



 Server(s) sold separately

Agency:

Specifications

Product #: 23000.6016

Faucet: Upper

Water Access: Plumbed

Finish: Black

Funnel: Black Plastic

Additional Features

Electrical & Capacity

| Volts* | Amps | Watts | Cord Attached | Plug Type | 8oz cups/hr 236ml cups/hr | Input H ² O Temp. | Phase | # Wires plus Ground | Hertz |
|--------|------|-------|---------------|-----------|------------------------------|---------------------------------|-------|------------------------|-------|
| - | - | - | - | - | 120 | 60°F (15.5°C) | - | - | - |

*When a BUNN is machine rated 120/208-240V, 120/208V or 120/240V, the higher voltage is the supply voltage needed to power the machine. The 120V is there to supply power to some components rated 120V in the machine, but it is not the supply voltage and would not power the machine if the machine is marked with the before mentioned ratings.

Plumbing Requirements

| PSI | kPa | Fitting Supplied | Water Flow Required (GPM) |
|-------|---------|-------------------------|---------------------------|
| 20-90 | 138-621 | 1/4" Male Flare Fitting | - |

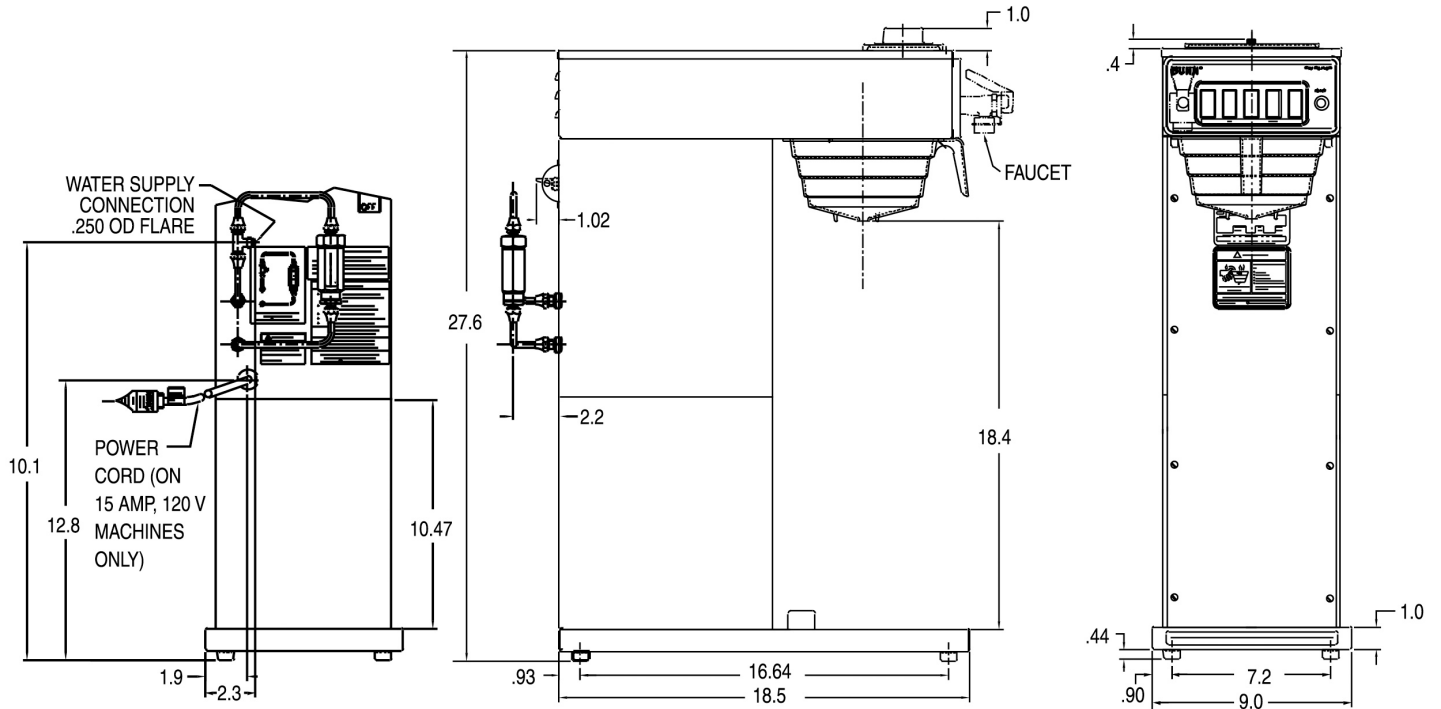
CAD Drawings

| 2D | Revit | KLC |
|----|-------|-----|
| ● | | |



BUNN® reserves the right to change specifications and product design without notice. Such revisions do not entitle the buyer to corresponding changes, improvements, additions or replacements for previously purchased equipment. For most current specifications and other info visit bunn.com.

Last Updated:
03/22/2021



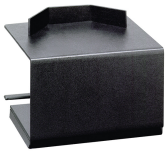
| Unit | | | Shipping | | | | | |
|---------|----------|---------|----------|--------|-------|-------|--------|--------|
| | Height | Width | Depth | Height | Width | Depth | Weight | Volume |
| English | 27.6 in. | 9.0 in. | 18.5 in. | - | - | - | - | - |
| Metric | 70.1 cm | 22.9 cm | 47.0 cm | - | - | - | - | - |



BUNN® reserves the right to change specifications and product design without notice. Such revisions do not entitle the buyer to corresponding changes, improvements, additions or replacements for previously purchased equipment. For most current specifications and other info visit bunn.com.

Last Updated:
03/22/2021

Related Products & Accessories: CWTF35-TS(23000.6016)



TSB, THERMAL SERVER
BOOSTER

Product #: 18010.6000



FILTERS,REG/1M

Product #: 20115.6000



BUNN® reserves the right to change specifications and product design without notice. Such revisions do not entitle the buyer to corresponding changes, improvements, additions or replacements for previously purchased equipment. For most current specifications and other info visit bunn.com.

Last Updated:
03/22/2021

Serving & Holding Options: CWTF35-TS(23000.6016)

NO IMAGE
AVAILABLE

ACC,THERMAL SERVER
GLS 2.5L STD BTL

Product #:23300.6101

NO IMAGE
AVAILABLE

ACC,THERMAL SERVER
SST 2.5L STD BTL

Product #:23300.6120



BUNN® reserves the right to change specifications and product design without notice. Such revisions do not entitle the buyer to corresponding changes, improvements, additions or replacements for previously purchased equipment. For most current specifications and other info visit bunn.com.

Last Updated:
03/22/2021