



## Meat Grinder AX-MG32



**AXIS** Meat Grinder

### Standard Features

- AISI 304 stainless steel construction
- Powerful IP 55 insulated and fan-cooled motor for continuous use
- Endless screw motor-reducer with sealed gear box running in an oil-bath enables a long service life
- Motor-reducer equipped with a double seal for long, trouble-free service
- Convenient, no-tools head lock mechanism
- Stainless steel mincing head carefully designed for high yield production, completely removable for easy cleaning
- Feed tray provided with safety interlock
- IP 54 protected, 24 V controls

Axis is a registered trademark of MVP Group Corp.



3560 NW 56th Street  
Fort Lauderdale, FL, United States 33309  
Telephone: 786.600.4687 / Toll Free: 844.218.8477  
Fax: 786.661.4100

5659 Royalmount Ave.  
Montreal, QC, Canada H4P 2P9  
Telephone: 514.737.9701 / Toll Free: 888.275.4538  
Fax: 514.342.3854 / Toll Free: 877.453.8832  
sales@mvpgroupcorp.com / mvpgroupcorp.com

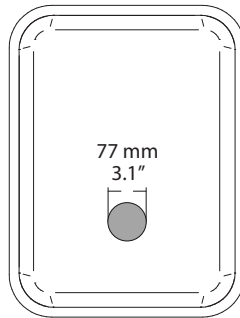
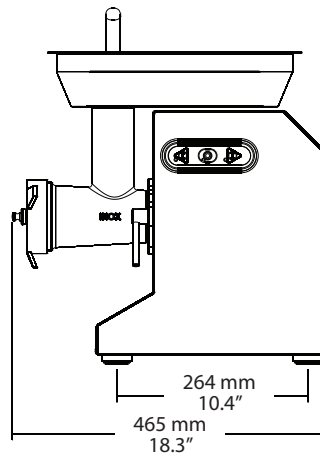
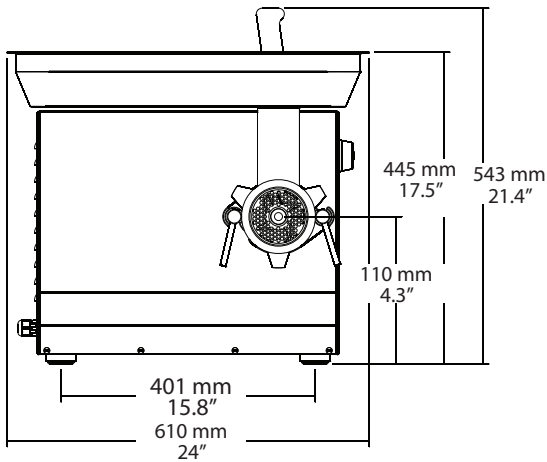




**Meat Grinder  
AX-MG32**



AX-MG32



Model	Voltage/Hz/Ph Watt / HP	Output Capacity	Standard Plate	Product Dimensions	Shipping Dimensions	Unit Weight	Ship Weight
AX-MG32	220V/60Hz/1 Ph 1840 W / 2.5 HP	400 kg/hr 882 lb/hr	0.25" 6 mm	24" x 18.3" x 21.4" 610 x 465 x 543 mm	29.5" x 22.4" x 31.5" 750 x 580 x 800 mm	90 lbs 40.8 kg	135 lbs 61.2 kg

Due to continuing product development, to ensure the best possible performance, the specifications are subject to change without prior notice.

Axis is a registered trademark of MVP Group Corp.



3560 NW 56th Street  
Fort Lauderdale, FL, United States 33309  
Telephone: 786.600.4687 / Toll Free: 844.218.8477  
Fax: 786.661.4100

5659 Royalmount Ave.  
Montreal, QC, Canada H4P 2P9  
Telephone: 514.737.9701 / Toll Free: 888.275.4538  
Fax: 514.342.3854 / Toll Free: 877.453.8832  
sales@mvpgroupcorp.com / mvpgroupcorp.com