



# SINGLE WELL, HEAVY DUTY, TOP MOUNT, RECTANGULAR DROP-IN FOOD WARMERS

MODELS: HFW-1S, HFW-1DS



APW Wyott heavy-duty, top-mount, drop-in, modular food warmers are designed to hold heated foods at safe and fresh serving temperatures. APW HFW-1S Series accommodates one 12"x20" standard food pans or equivalent fractional inset pans and are designed for wet or dry operation.

One-piece stainless steel top flange and heavy-gauge, deep-drawn stainless steel warming pans are standard features on all models. E-Z Locks are standard for quick and easy installation. Sides, front, back and bottom are fully insulated for energy savings, efficiency, quicker pre-heat and faster recovery. Individual controls for each well provide maximum versatility. Models with thermostatic or infinite controls are available. High-limits prevent overheating. Temperature-ready indicator lights are standard on all control types. Powerful tubular heating elements are located under the warming pans for quick and efficient heating and for even heat distribution.

## OPTIONS

- Adaptor tops for round insets
- Drain valve extension kit
- Drain screens
- E-Z Lock extension kits for wood counter installation
- Optional 72" wiring

## WARRANTY

- 1-Year Limited Parts & 1-Year Limited Labor Warranty

## CERTIFICATIONS

Certified by the following agencies:



## FEATURES AT A GLANCE

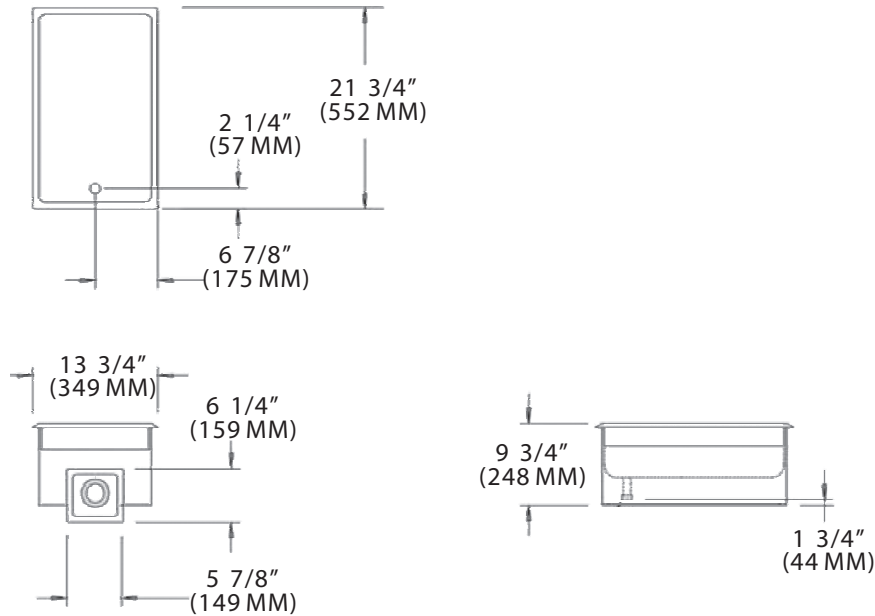
- Accommodates one 12"x20" standard inset pans or equivalent fractional pans
- One-piece stainless steel top flange and heavy-gauge, deep drawn stainless steel warming pans
- Suitable for wet or dry operation (wet recommended for best results)
- Energy-saving fully-insulated construction
- Fully insulated models are perfect for non-metal counters
- Thermostatic or infinite controls
- Separate controls for each individual well
- High limits prevent overheating
- Thermostatic controls are recessed in a one-piece, drawn, front-mounted panel
- E-Z Lock standard for ease of installation
- Powerful tubular heating elements



# SINGLE WELL, HEAVY DUTY, TOP MOUNT, RECTANGULAR DROP-IN FOOD WARMERS

MODELS: HFW-1S, HFW-1DS

## EQUIPMENT DIMENSIONS



## MECHANICAL SPECIFICATIONS

Model #	Drain	Watts	Voltage	Phase	Overall Dimensions	Control Panel Dimensions	Ship Weight (lbs. / Kilos)	Crate Size	Approvals
					Width x Height x Depth (inches / mm)	Width x Height (inches / mm)		Cubic Feet (Cubic Meters)	
HFW-1S-120	No	1650	120	1	13.75" x 21.75" x 9.75" (349 x 552 x 248)	5.88 x 6.25 (149 x 159)	24 (10.9)	4.5 (0.128)	NSF UL
HFW-1S	No	1240 1650	208 240	1	13.75" x 21.75" x 9.75" (349 x 552 x 248)	5.88 x 6.25 (149 x 159)	24 (10.9)	4.5 (0.128)	NSF UL
HFW-1DS-120	Yes	1200	120	1	13.75" x 21.75" x 9.75" (349 x 552 x 248)	5.88 x 6.25 (149 x 159)	24 (10.9)	4.5 (0.128)	NSF UL
HFW-1DS	Yes	1240 1650	208 240	1	13.75" x 21.75" x 9.75" (349 x 552 x 248)	5.88 x 6.25 (149 x 159)	24 (10.9)	4.5 (0.128)	NSF UL

## REQUIRED CLEARANCES

Left	1" (25mm)	Back	1" (25mm)
Right	1" (25mm)	Bottom	6 3/4" (171mm)
Front	4 1/8" (105mm)		

Freight Class: 100  
 FOB: Smithville, 37166

APW Wyott reserves the right to modify specifications or discontinue models without incurring obligation. Dimensions nominal.

