



SERVING THE FOOD INDUSTRY SINCE 1951

COUNTERTOP STAINLESS STEEL PIZZA OVEN

Item: 43219 | Model: CE-CN-1450

HAVE YOUR SIGNATURE PIZZAS READY AND ON THE GO

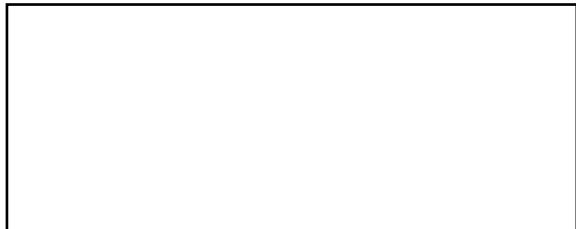
Omcan's countertop stainless steel pizza oven is ideal for pizza shops, restaurants, and other snack bars. Features a 13.5" chrome wire rack (with cool touch handle) which could hold pizzas up to 12" in diameter. Boasting a powerful 1450 Watts for fast baking and a 30-minute timer and auto-shut off for easy usage.



WARRANTY
PARTS AND LABOR



NEMA
5 - 15
125 VAC / 15 AMP
RECEPTACLE



Authorized Dealer

FOOD EQUIPMENT

COUNTERTOP STAINLESS STEEL PIZZA OVEN



- Stainless steel body
- Power: 1450 Watts for fast baking
- Chrome wire rack with cool touch handle
- Maximum temperature: 608°F / 320°C
- Removable crumb tray
- 30-minute timer and auto-shut off
- Bake or heat pizza up to 12"



ITEM NUMBER

43219

MODEL

CE-CN-1450

MATERIAL

Stainless Steel

PIZZA DIAMETER

12" / 305 mm

TIMER

30 minutes

ELECTRICAL

120V / 60Hz / 1Ph

CURRENT

14 Amps

POWER

1450 Watts

MAXIMUM TEMPERATURE

608°F / 320°C

RACK DIMENSIONS

13.5" x 13.5"
342.9 x 342.9 mm

DIMENSIONS (WDH)

19" x 14.75" x 7.5"
482.6 x 374.65 x 190.5 mm

PACKAGING DIMENSIONS

21.3" x 18.9" x 9.05"
540 x 480 x 230 mm

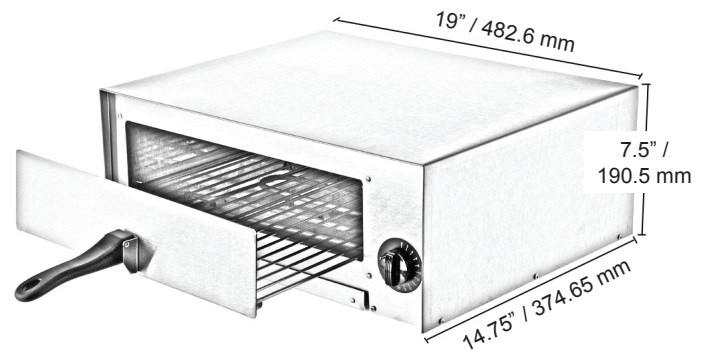
WEIGHT

12.2 lbs. / 5.6 kg.

PACKAGING WEIGHT

14.4 lbs. / 6.55 kg.

TECHNICAL DRAWINGS AND DIMENSIONS



OMCAN INC.

Telephone: 1-800-465-0234

Fax: (905) 607-0234

Email: sales@omcan.com

Website: www.omcan.com



Follow us to keep up to date with the latest news and offers



2017.E.O.E