

## UNDER COUNTER FREEZERS

### Features

- CFC free refrigerant and foam insulation
- Electronic thermostat and digital LED temperature display for accurate control and easy reading
- Easy to mount 2.5" casters (lockable in front) are standard with all units
- Self-closing doors that remain open at 90 degrees
- Magnetic gasket can be replaced without any tools
- Adjustable, heavy-duty epoxy coated wire shelves (one per door)
- Stainless steel framework construction
- Auto defrosting and auto evaporation of condensation water
- Freezer door frames have integral factory installed heating element to eliminate condensation
- Interior: 304 stainless steel
- Exterior: 430 stainless steel
- R-290 Natural refrigerant
- Temperature: 0 to -10°F / -17 to -23 °C
- Electrical: 115/60/1 with NEMA 5-15P, 10ft cord



NEMA  
5-15P



IUC28F



IUC36F



IUC48F



IUC61F



IUC72F

### Specifications

DESIGNED TO OPERATE IN AMBIENT TEMPERATURES BETWEEN 40F-90F FOR OPTIMUM PERFORMANCE.

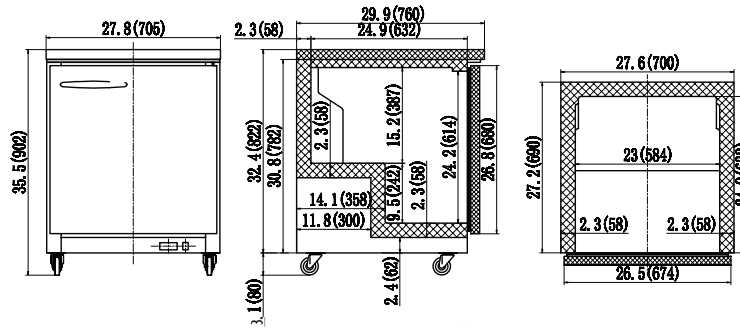


Model	Doors	Ext. Dimensions W X D X H (In)	Int.. Dimensions W X D X H (In)	Amps	H.P	Ship Weight
IUC28F	1	27.8 X 29.9 X 35.5	23.0 X 24.9 X 24.2	1.9	1/2	190 lbs
IUC36F	2	36.4 X 29.9 X 35.5	31.5 X 24.9 X 24.2	3	1/2	203 lbs
IUC48F	2	48.2 X 29.9 X 35.5	43.5 X 24.9 X 24.2	4	1/2	340 lbs
IUC61F	2	61.2 X 29.9 X 35.5	56.5 X 24.9 X 24.2	5	1/2	353 lbs
IUC72F	3	71.7 X 29.9 X 35.5	67.0 X 24.9 X 24.2	6	5/8	386 lbs

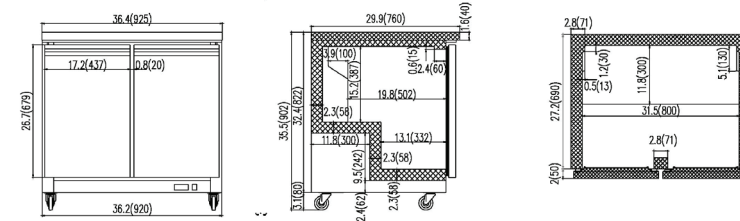
# UNDER COUNTER FREEZERS

Dimensions in inches (mm)

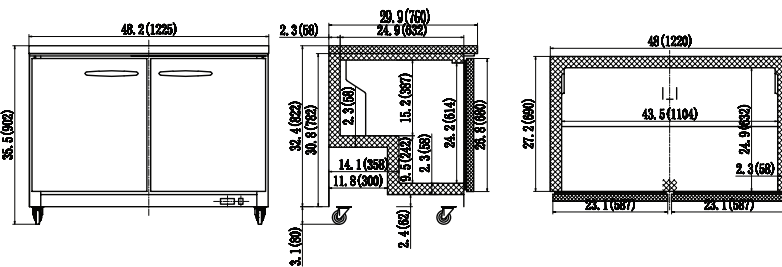
IUC28F



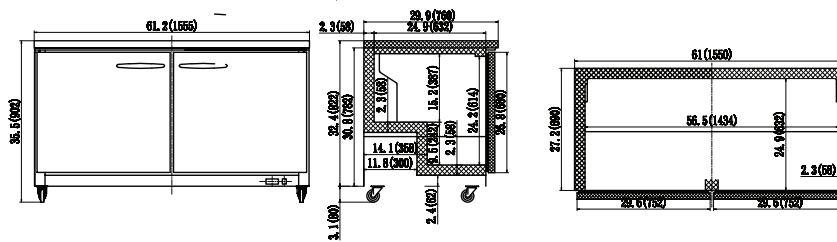
IUC36F



IUC48F



IUC61F



IUC72F

