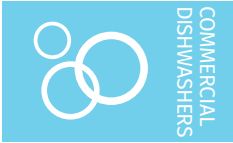




Project _____
 AIA # _____ SIS # _____
 Item # _____ Quantity _____ C.S.I. Section 114000



AM16-BAS BASE ELECTRIC

High Temperature
 Door-Style Dishwashing Machine



STANDARD FEATURES

- + .67 gallons (2,5 L) per rack pumped final rinse
- + 60 racks per hour – hot water sanitizing
- + Two stage filtration
- + Pillar less opening
- + 5-sided insulated hood
- + User-friendly smart touchscreen controls
- + Single point electrical connection standard, field convertible to dual point connection
- + 3 phase standard, field convertible to single phase
- + Wi-Fi connectivity
- + SmartConnect app and cloud with machine status, temperature logs, error code reporting, and cost, consumption and usage analysis
- + Temperature and chemical lock outs (with Hobart equipped chemical pumps)
- + Pumped drain
- + Timed wash cycles for 1, 2, 4 or 6 minutes
- + NSF pot and pan rating for 2-, 4- & 6- minute cycles
- + Sense-A-Temp™ 70°F (39°C) rise electric booster heater
- + Self-draining, high efficiency wash pump with stainless steel impeller
- + 17" (432 mm) door opening
- + Stainless steel drawn tank, tank shelf, chamber, trim panels, frame and feet
- + Spring counterbalanced chamber with reinforced, thermo-plastic rollers
- + X- shaped revolving, interchangeable upper and lower anti-clogging wash arms
- + Revolving, interchangeable upper and lower rinse arms
- + Slanted, self-locating, one-piece scrap screen and basket system
- + Automatic fill
- + Door actuated start
- + AutoClean
- + Vent fan control
- + Service diagnostics
- + Straight-through or corner installation
- + Delime cycle with notification (field activated)

OPTIONS & ACCESSORIES (Available at extra cost)

- Peg rack
- Combination rack
- Chemical pumps
- Drain water tempering kit
- Door lock kit
- Splash shield for corner installations
- Flanged and seismic feet
- Water hammer arrestor kit
- Rapid fill kit
- Sink integration kit
 - Sink saddle & 3" (76 mm) leg extension
 - Sink rail kit
 - Fold down table

SPECIFIER STATEMENT

Specified unit will be a Hobart AM16 Base electric high temperature dishwashing machine. Features include 5-sided insulated hood, touchscreen controls with Wi-Fi connectivity, NSF pot and pan rating for 2-, 4- & 6-minute cycles, 17" (432 mm) door opening, pumped drain, auto door start with auto fill, interchangeable stainless steel rinse arms and X-shaped wash arms, delime cycle, advanced diagnostics and service connection, up to 60 racks per hour, .67 U.S. gallons (2,5 L) per rack pumped final rinse.

1 year parts and labor warranty.

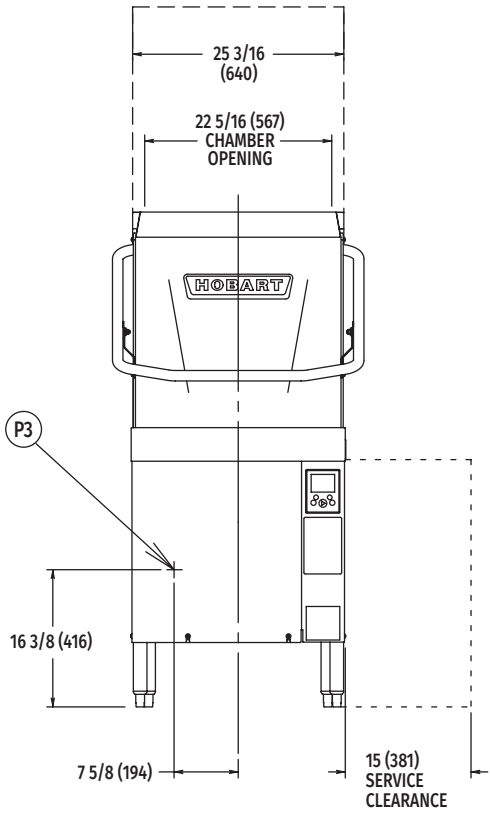
AM16 SERIES – AM16-BAS BASE ELECTRIC

Approved by _____ Date _____ Approved by _____ Date _____

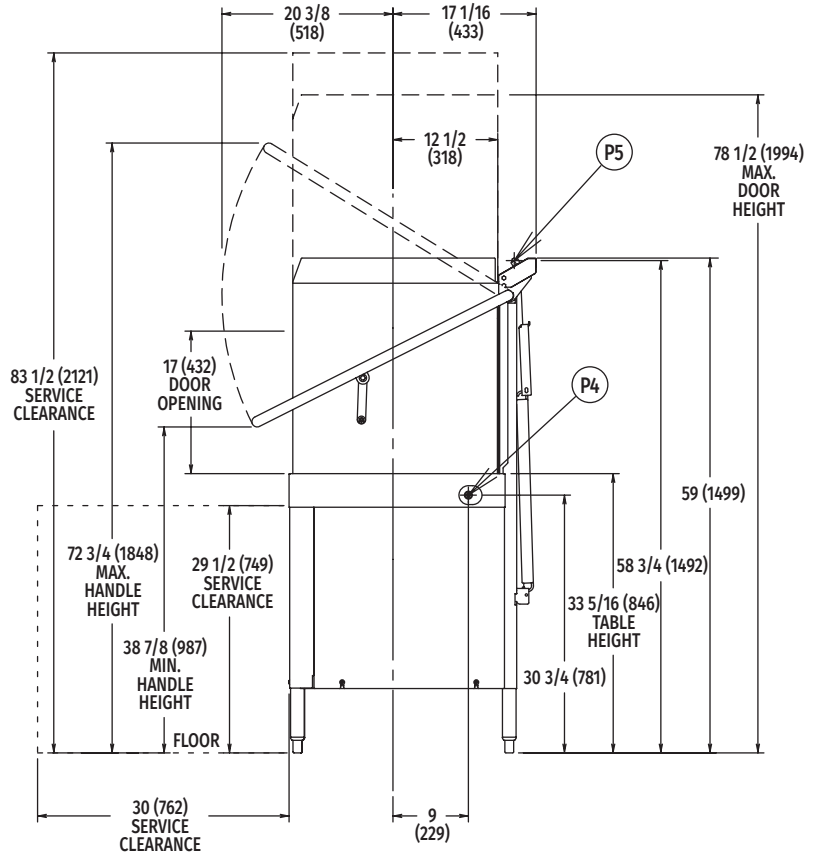


AM16-BAS BASE ELECTRIC

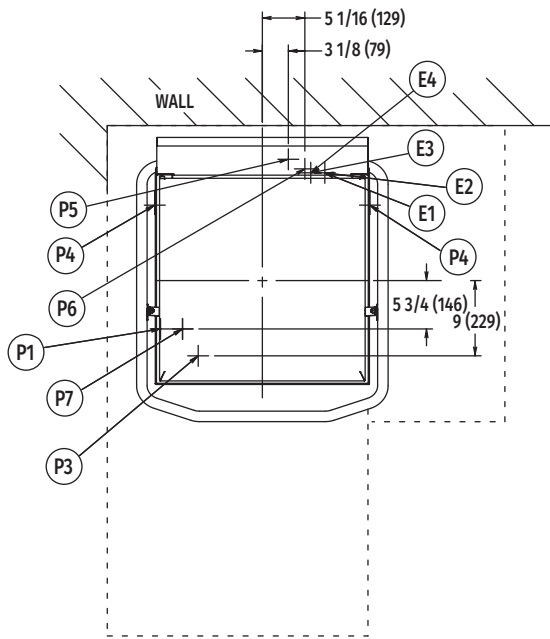
High Temperature
Door-Style Dishwashing Machine



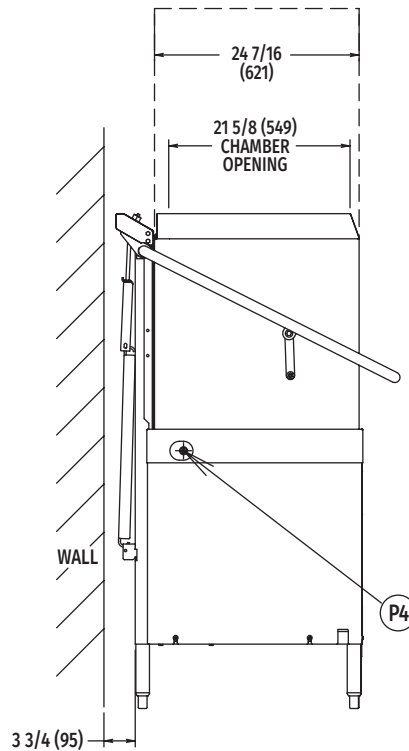
Front View



Right Side View



Top View



Left Side View

MODEL:
AM16-BAS
E-950440

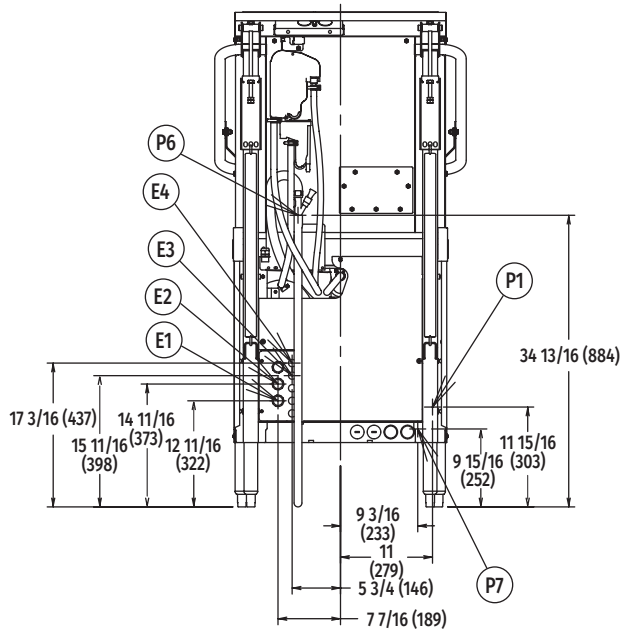


AM16-BAS BASE ELECTRIC

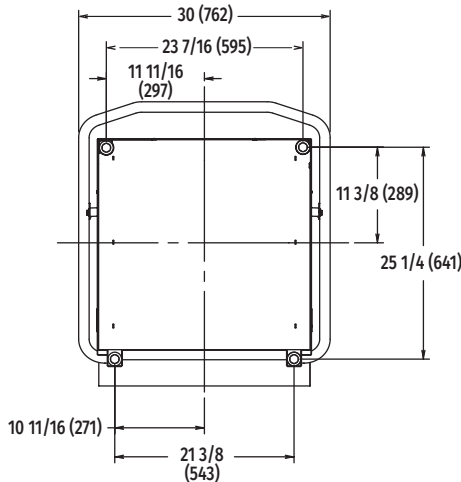
High Temperature Door-Style Dishwashing Machine

WARNING: Electrical and grounding connections must comply with the applicable portion of the National Electrical Code and/or other local electrical codes.

Plumbing connections must comply with applicable sanitary, safety, and plumbing codes.



Rear View



Bottom View

LEGEND

| Electrical Connections | |
|------------------------|---|
| E1 | Electrical connection: wash pump motor & sump heater, 1" or 3/4" (25 or 19 mm) conduit hole; 12-11/16" (322 mm) AFF. |
| E2 | Electrical connection: electric booster & controls only or single point electrical connection (3PH only), 1" or 3/4" (25 or 19 mm) conduit hole; 14-11/16" (373 mm) AFF. |
| E3 | Electrical connection: detergent & rinse agent feeders, (DPS1 & DPS2) 1.5 amps @ nameplate supply voltage, (RPS1 & RPS2) 1.5 amps @ nameplate supply voltage; 1/2" (13 mm) conduit hole, 15-11/16" (398 mm) AFF. |
| E4 | Electrical connection: vent fan control (VFC1 & VFC2) switching circuit only 1.5 amps @ nameplate supply voltage; 1/2" (13 mm) conduit hole, 17-3/16" (437 mm) AFF. |
| Plumbing Connections | |
| P1 | Common water connection including booster heater: 110°F (43°C) water minimum, 15-65 PSI (103-448 kPa) recommended; 3/4" (19 mm) female garden hose fitting on 6' (1829 mm) long hose supplied with machine; 11-15/16" (303 mm) AFF. |
| P3 | Detergent probe sensor: remove cap and stud assembly to access 7/8" (22 mm) hole; 16-3/8" (416 mm) AFF. |
| P4 | Detergent feeder: two locations available. Remove cap and stud assembly to access 7/8" hole (22 mm); 30-3/4" (781 mm) AFF. |
| P5 | Rinse agent feeder: remove 1/8" (3,2 mm) NPT pipe plug to access 1/8" (3,2 mm) NPT tapped hole; 58-3/4" (1492 mm) AFF. |
| P6 | Drain connection: 5/8" (16 mm) barb fitting with 6' (1829 mm) long hose supplied with machine; 34-13/16" (884 mm) AFF. Maximum height 40" (1016 mm) AFF. |
| P7 | Optional – cold water connection: 55°F (13°C) water minimum (drain water tempering - when ordered); 3/4" (19 mm) female garden hose fitting on 8' (2438 mm) long hose; 9-5/16" (237 mm) AFF. |

SPECIFICATIONS

Capacities

| | |
|--|-------------|
| Racks Per Hour (maximum) | 60 |
| Dishes per Hour (average 25 per rack) | 1,500 |
| Glasses per Hour (average 45 per rack) | 2,700 |
| Wash Tank (U.S. gallons/Liters) | 10.5 (39,7) |

Motor Horsepower (watts)

| | |
|------------|------------|
| Rinse Pump | 0.18 (134) |
| Wash Pump | .2 (1492) |
| Drain Pump | 0.21 (157) |

Rinse

| | |
|---|------------|
| Gallons (liters) per Rack | 0.67 (2,5) |
| Gallons (liters) per Hour (maximum consumption) | 40.2 (152) |

Peak Rate of Drain Flow

| | |
|---|-----------|
| Gallons (liters) per Minute (initial rate with full tank) | 18.5 (70) |
|---|-----------|

Heating

| | |
|----------------------------|-----|
| Electric Booster (kW) | 7.1 |
| Electric Heating Unit (kW) | 5.4 |

Exhaust Requirements 450 CFM (12,7 m³)

Shipping Weight (approximate) 312 lbs. (142 kg)

Crated Dimensions 65.125"H x 36.5"W x 36.5"L (1654 x 927 x 927 mm)



AM16-BAS BASE ELECTRIC

High Temperature
Door-Style Dishwashing Machine

| E1 AM16 with Electric Heat (When Field Converted to Dual Point) | | | |
|--|------------|---------------------------------|---------------------------|
| Voltage | Rated Amps | Minimum Supply Circuit Ampacity | Maximum Protective Device |
| 208-240/60/1 | 39.6 | 50 | 50 |
| 208-240/60/3 | 26.9 | 30 | 30 |
| 480/60/3 | 10.5 | 15 | 15 |
| 200-240/50/3* | 22.1 | 30 | 30 |
| 380-415/50/3* | 12.3 | 20 | 20 |

| E2 9.5 kW Booster & Controls (When Field Converted to Dual Point) | | | |
|--|------------|---------------------------------|---------------------------|
| Voltage | Rated Amps | Minimum Supply Circuit Ampacity | Maximum Protective Device |
| 208-240/60/1 | 42.3 | 50 | 50 |
| 208-240/60/3 | 25.6 | 30 | 30 |
| 480/60/3 | 12.9 | 15 | 15 |
| 200-240/50/3* | 25.6 | 30 | 30 |
| 380-415/50/3* | 14.7 | 20 | 20 |

*These electrical specifications are not submitted for UL or CUL listing

| E2 AM16 Single Point Electrical Service Connection as Shown Below | | | |
|--|------------|---------------------------------|---------------------------|
| Voltage | Rated Amps | Minimum Supply Circuit Ampacity | Maximum Protective Device |
| 208-240/60/3 | 52.5 | 60 | 60 |
| 480/60/3 | 23.4 | 30 | 30 |
| 200-240/50/3* | 47.7 | 60 | 60 |
| 380-415/50/3* | 26.5 | 30 | 30 |

*These electrical specifications are not submitted for UL or CUL listing

Miscellaneous Notes: All dimensions taken from floor line may increase 7/8" (22 mm) or decrease 3/8" (9,5 mm) depending on leg adjustment.

Vent hood (if required) to provide a minimum 450 CFM (12.7 M³) exhaust (ref installation instructions).

Net weight of machine including booster: 295 lbs (134 kg).
Domestic shipping weight including booster: 315 lbs (143 kg).

Size of racks – 19³/₄" x 19³/₄" (502 x 502 mm).

| Approximate Heat Gain to Space without Vent Hood | |
|---|---------|
| Type | BTU/Hr. |
| Latent | 7,800 |
| Sensible | 4,000 |

Plumbing Notes: Water hammer arrestor (meeting ASSE-1010 standard or equivalent) to be supplied (by others) in common water supply line at service connection.

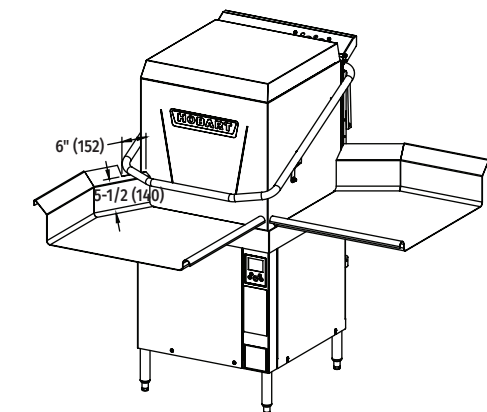
Recommended water hardness to be 3 grains (51.35 ppm) or less for best results.

Recommended building flowing water pressure to the dishwasher at or above 20 PSI (137.9 kPa). Pressures lower than 20 PSI (137.9 kPa) may affect machine fill/start-up times.

This is a pumped rinse machine. Pressure regulating valve is not necessary on hot or cold lines.

For convenience when cleaning, water tap should be installed near machine with heavy duty hose and squeeze valve.

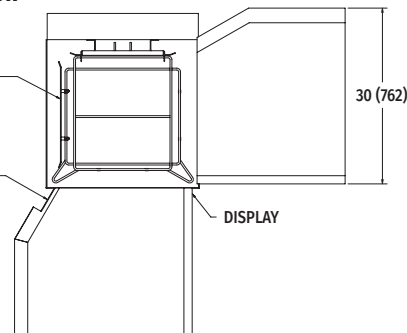
AM16-BAS TABLING CONFIGURATIONS AND TRACK DESIGN



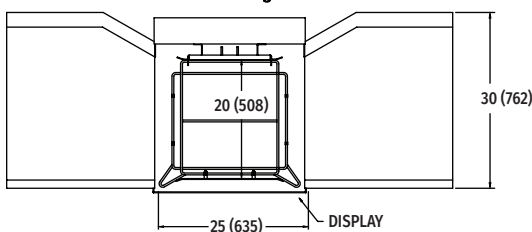
Top Inside View of Machine

NOTE: REPOSITION RACK TRACK BRACKET FOR CORNER INSTALLED UNITS

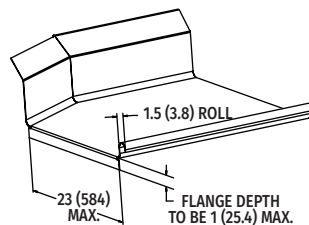
NOTCH FOR HANDLE CLEARANCE: 6 (152) WIDE x 5 1/2 (140) TALL MEASURED FROM TABLE SURFACE



Standard Height Corner Installation

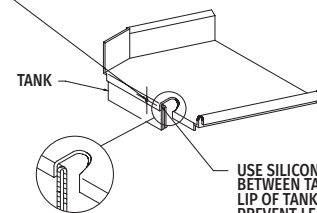


Pass Thru Installation



Suggested Table Design

DRILL Ø 0.344 (8.7) HOLE THRU TANK WALL
5/16-18 (M8 x 1.25) SST TRUSS HD SCREW
5/16-18 (M8 x 1.25) SST LOCKWASHER
5/16-18 (M8 x 1.25) SST HEX HD NUT



USE SILICONE SEALER BETWEEN TABLE AND LIP OF TANK TO PREVENT LEAKAGE

As continued product improvement is a policy of Hobart, specifications are subject to change without notice.