



FOOD EQUIPMENT

SERVING THE FOOD INDUSTRY SINCE 1951

GARLIC PEELER

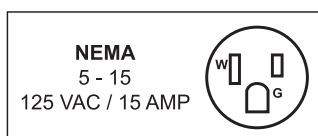
Item: 13442

Model: PE-BR-0004

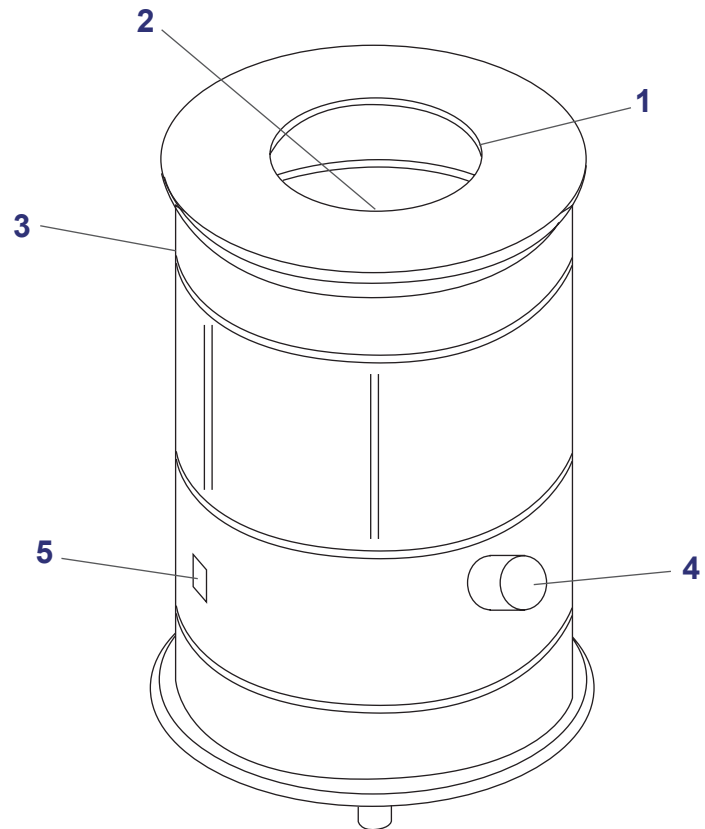
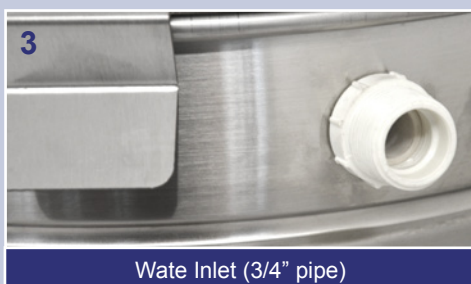
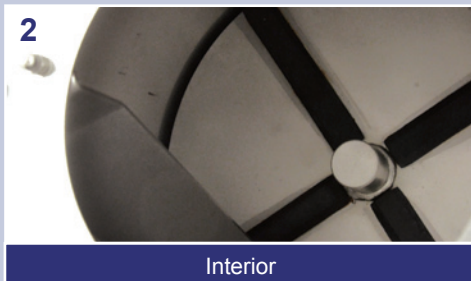


Combination of
**EFFICIENCY &
CONVENIENCE**

Our peelers combine economy and efficiency in preparing vegetables. Simple and safe to use, as well as easy to clean! All are constructed of stainless steel. The peeling cycle is swift with minimum product waste. The electrical components are protected inside a sealed box.



Authorized Dealer



TECHNICAL SPECIFICATION

ITEM NUMBER	13442
MODEL	PE-BR-0004
POWER	0.25 HP / 0.19 kW
OUTPUT	66lbs. / 30 kgs
CAPACITY	8 lbs. / 3.6 kgs
ELECTRICAL	110V/60Hz/1Ph
WEIGHT	38 lbs. / 17.2 kgs
PACKAGING WEIGHT	45 lbs. / 20.4 kgs
DIMENSIONS (DWH)	13.75" x 13.4" x 21.4" / 349 mm x 340 mm x 544 mm
PACKAGING DIMENSIONS	17" x 17" x 28" / 432 mm x 432 mm x 711 mm

OMCAN INC.

Telephone: 1-800-465-0234
 Fax: (905) 607-0234
 Email: sales@omcan.com
 Website: www.omcan.com



Follow us to keep up to date with the latest news and offers

