

# CRTF5-35 (5 Lower Warmers)

17.4" x 22.9" x 24.4"  
(44.2cm x 58.2cm x 62.0cm)

- Fits easily on counters or under cabinets
- All stainless steel construction
- Hot water faucet and pourover feature
- SplashGard® funnel deflects hot liquids away from the hand



Agency:

## Specifications

**Product #:** 13250.6003

**Warmers:** Five Lower

**Water Access:** Plumbed

**Finish:** Stainless

**Funnel:** Black Plastic

**Faucet:** Upper

## Additional Features

## Electrical & Capacity

Volts	Amps	Watts	Cord Attached	Plug Type	8oz cups/hr 236ml cups/hr	Input H <sup>2</sup> O Temp.	Phase	# Wires plus Ground	Hertz
-	-	-	-	-	120	60°F (15.5°C)	-	-	-

## Plumbing Requirements

PSI	kPa	Fitting Supplied	Water Flow Required (GPM)
20-90	138-621	1/4" Male Flare Fitting	-

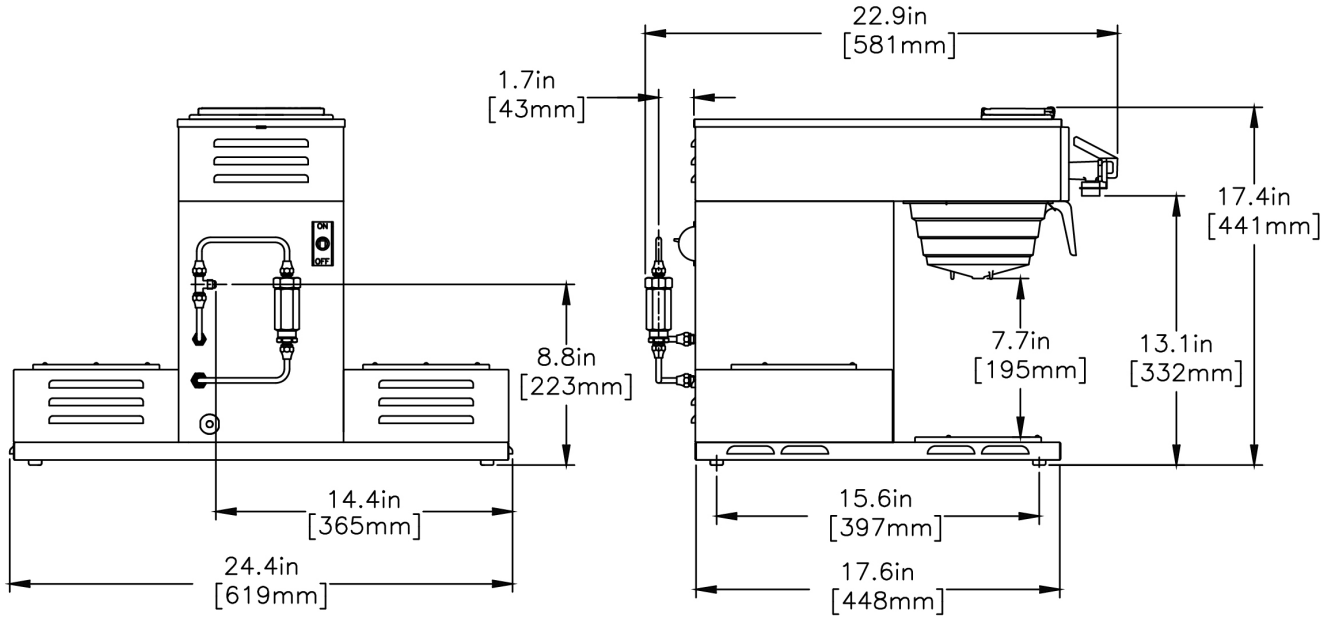
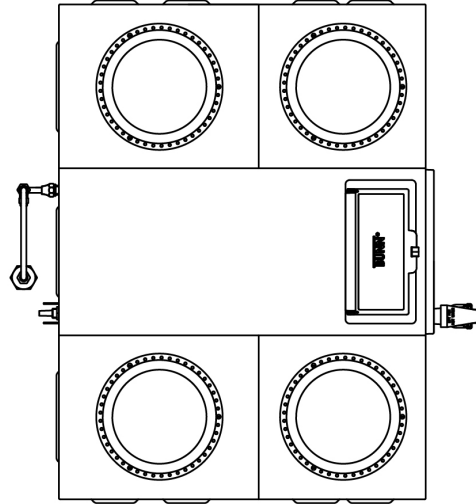
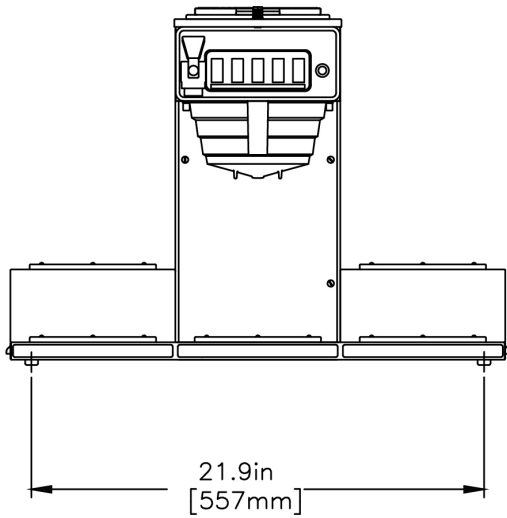
## CAD Drawings

2D	Revit	KLC
●		



BUNN® reserves the right to change specifications and product design without notice. Such revisions do not entitle the buyer to corresponding changes, improvements, additions or replacements for previously purchased equipment. For most current specifications and other info visit [bunn.com](http://bunn.com).

Created on:  
05/09/2018



Unit			Shipping					
	Width	Height	Depth	Width	Height	Depth	Weight	Volume
English	24.4 in.	17.4 in.	22.9 in.	- in.	- in.	- in.	-	-
Metric	62.0 cm	44.2 cm	58.2 cm	- cm	- cm	- cm	-	-



BUNN® reserves the right to change specifications and product design without notice. Such revisions do not entitle the buyer to corresponding changes, improvements, additions or replacements for previously purchased equipment. For most current specifications and other info visit [bunn.com](http://bunn.com).

Created on:  
05/09/2018

## Related Products & Accessories: CRTF5-35 (5 Lower Warmers)(13250.6003)



STOVE, WX2 120V/200W

Product #: 06310.6000



STOVE, WX1 120V/100W

Product #: 06450.6000



FILTERS, REG/1M

Product #: 20115.6000



WATER FILTER  
SYSTEM, EQ-17-TL

Product #: 30200.1000



WATER FILTER, IN LINE  
ED-17-TL

Product #: 30201.1001



BUNN® reserves the right to change specifications and product design without notice. Such revisions do not entitle the buyer to corresponding changes, improvements, additions or replacements for previously purchased equipment. For most current specifications and other info visit [bunn.com](http://bunn.com).

Created on:  
05/09/2018

# Serving & Holding Options: CRTF5-35 (5 Lower Warmers)(13250.6003)



EASY POUR,(BLK) 1/CS  
Product #:06100.0101



EASY POUR,(BLK) 2/CS  
Product #:06100.0102



EASY POUR,(BLK) 3/CS  
Product #:06100.0103



EASY POUR,(BLK) 6/CS  
Product #:06100.0106



EASY POUR,(BLK) 12/CS  
Product #:06100.0112



EASY POUR,(BLK) 24/CS  
Product #:06100.0124



EASY POUR,(BLK) 6-1/2 CS  
Product #:06100.0156



EASY POUR,(ORN) 1/CS  
Product #:06101.0101



EASY POUR,(ORN) 2/CS  
Product #:06101.0102



EASY POUR,(ORN) 3/CS  
Product #:06101.0103



EASY POUR,(ORN) 6/CS  
Product #:06101.0106



EASY POUR,(ORN) 12/CS  
Product #:06101.0112



EASY POUR,(ORN) 24/CS  
Product #:06101.0124



DECANTER, GLASS-BLK 12C 24/CS  
Product #:42400.0024



DECANTER, GLASS-BLK 12CUP 1PK  
Product #:42400.0101



DECANTER, GLASS-BLK 12C 3/CS  
Product #:42400.0103



DECANTER, GLASS-ORN 12C 24/CS  
Product #:42401.0024



DECANTER, GLASS-ORN 12 CUP 1PK  
Product #:42401.0101



DECANTER, GLASS-ORN 12C 3/CS  
Product #:42401.0103



BUNN® reserves the right to change specifications and product design without notice. Such revisions do not entitle the buyer to corresponding changes, improvements, additions or replacements for previously purchased equipment. For most current specifications and other info visit [bunn.com](http://bunn.com).

Created on:  
05/09/2018