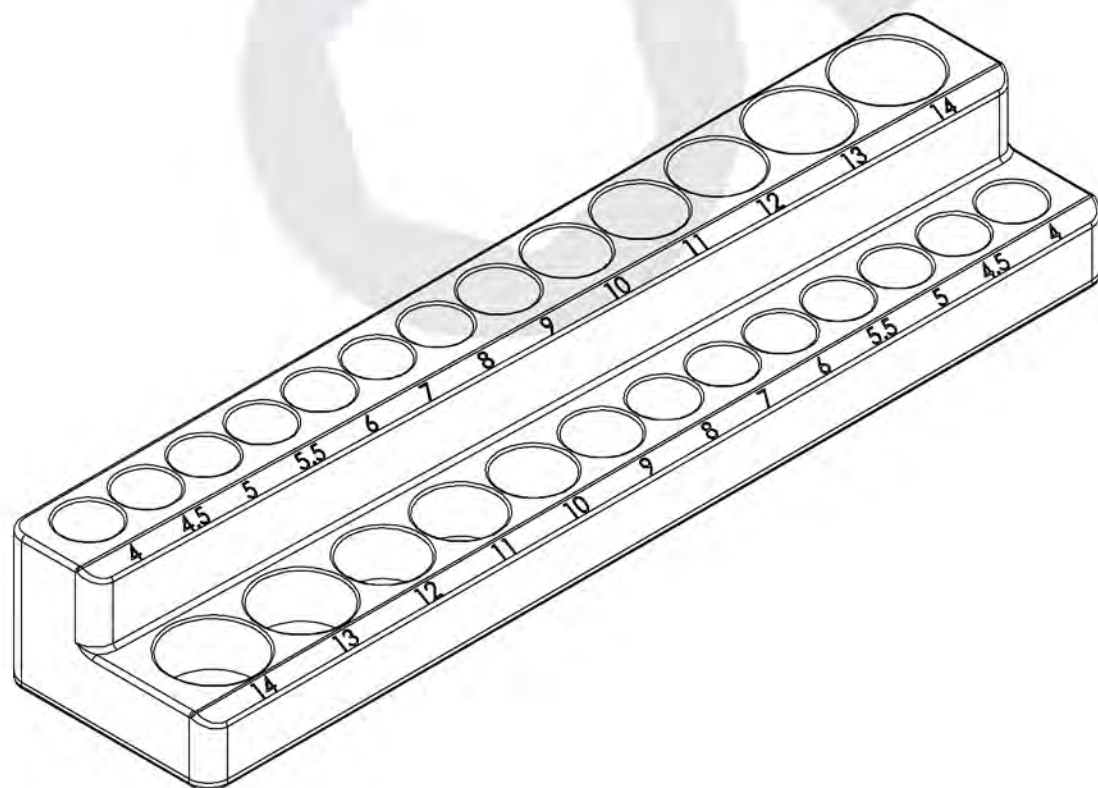
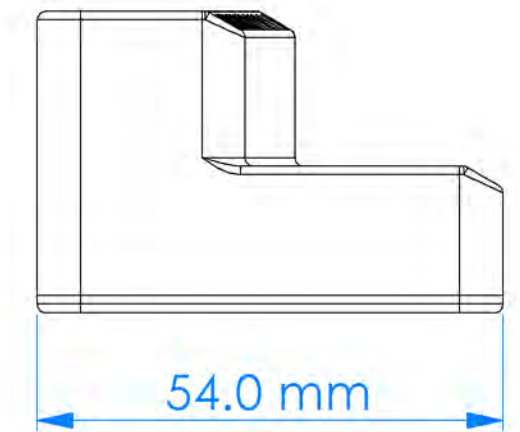
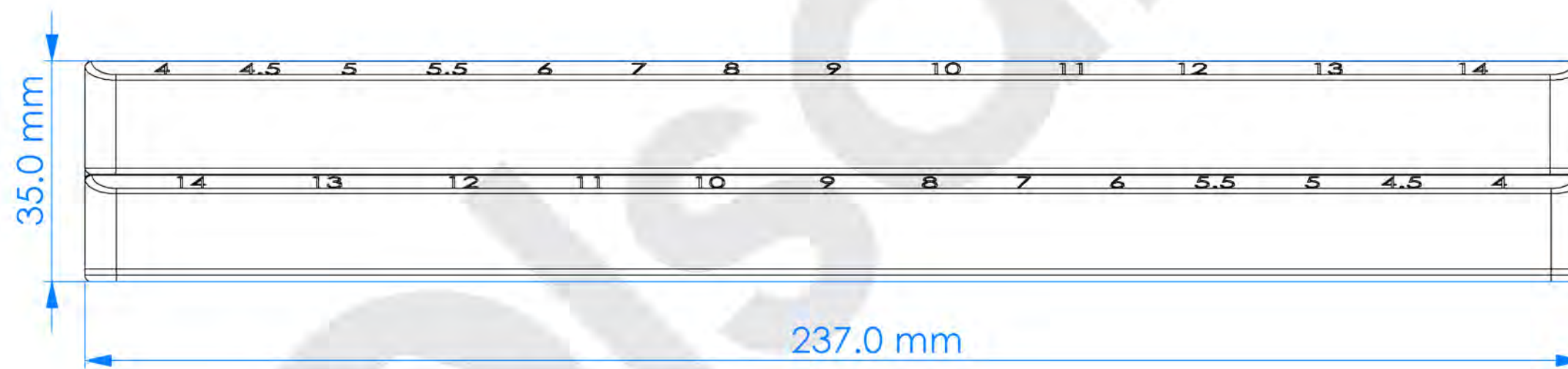
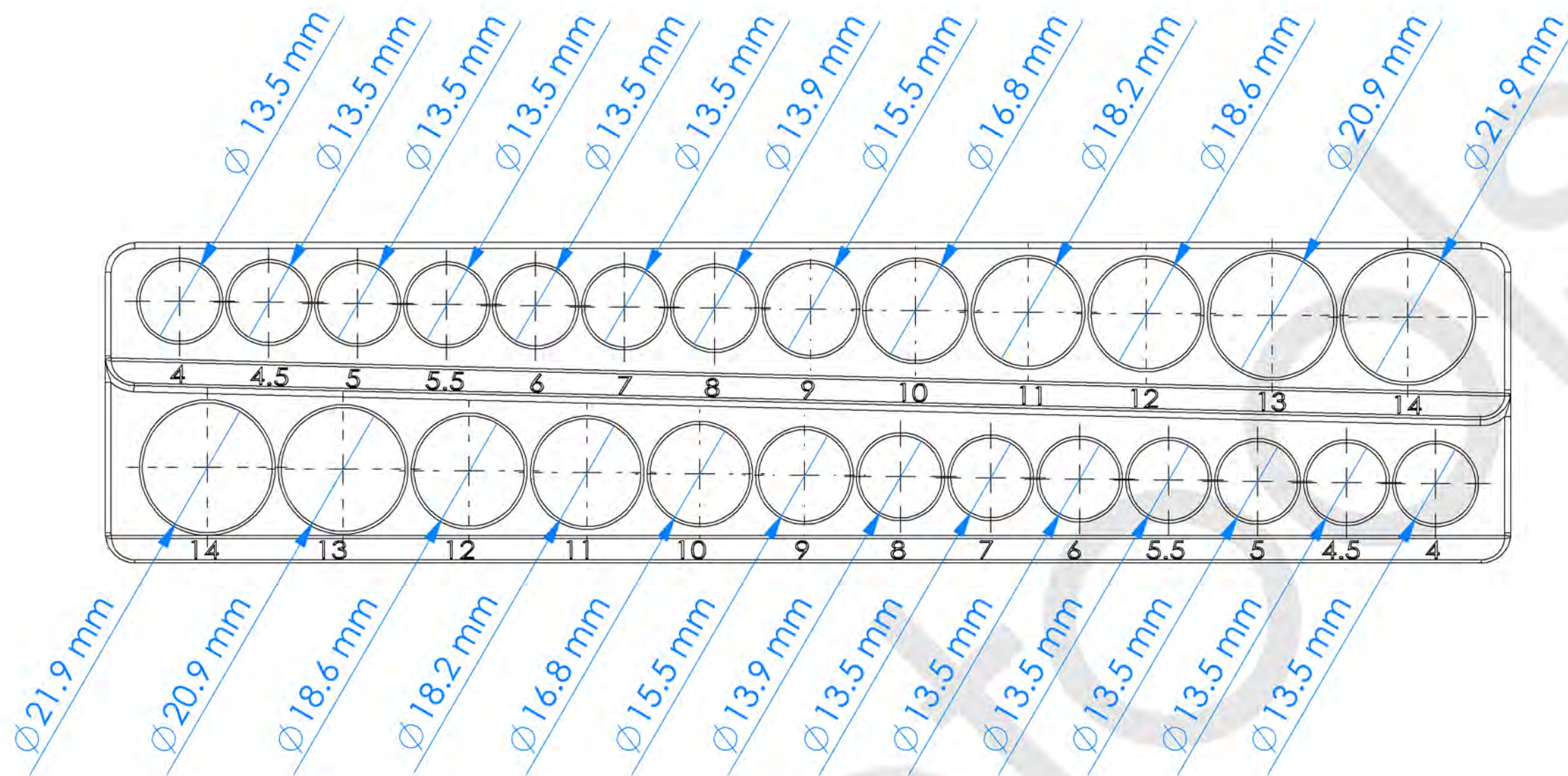


1/4-INCH DRIVE - METRIC



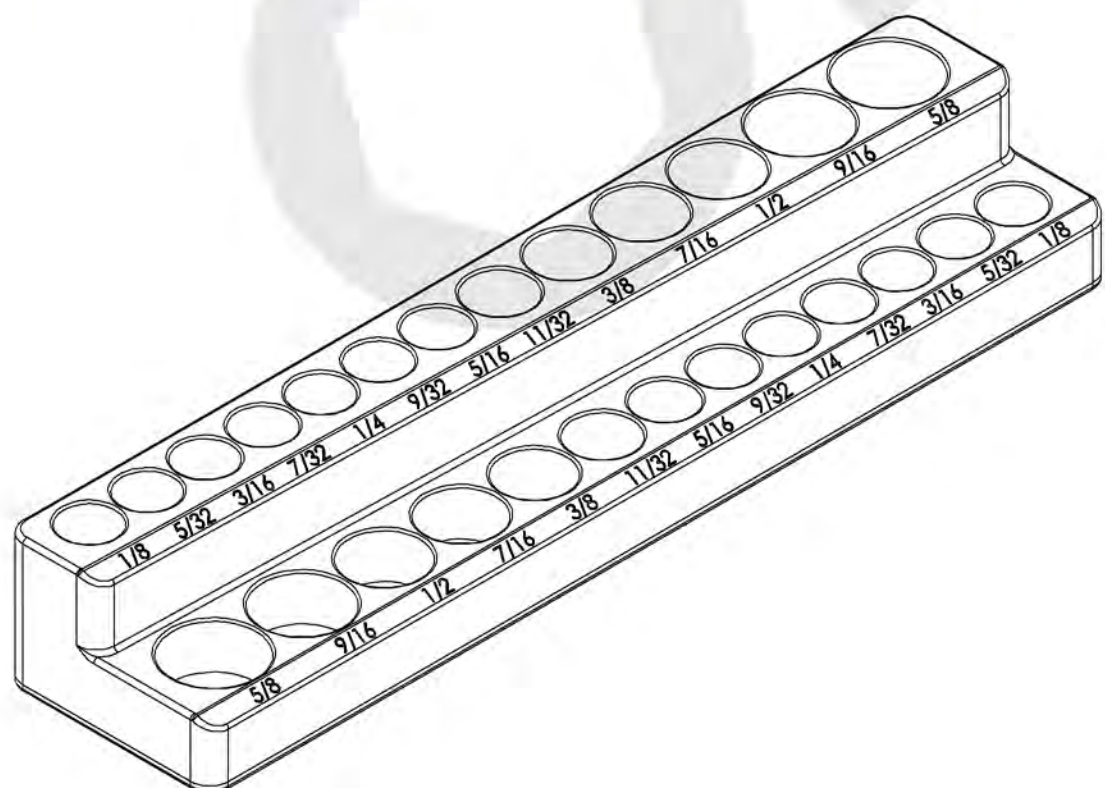
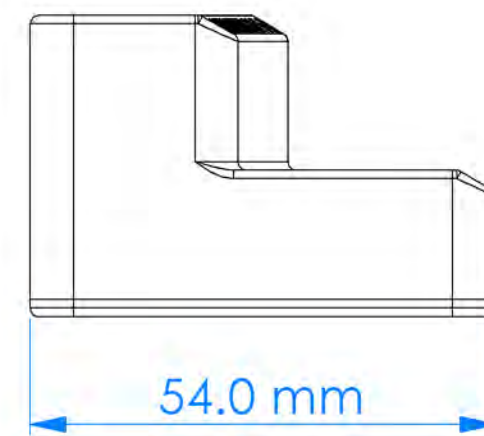
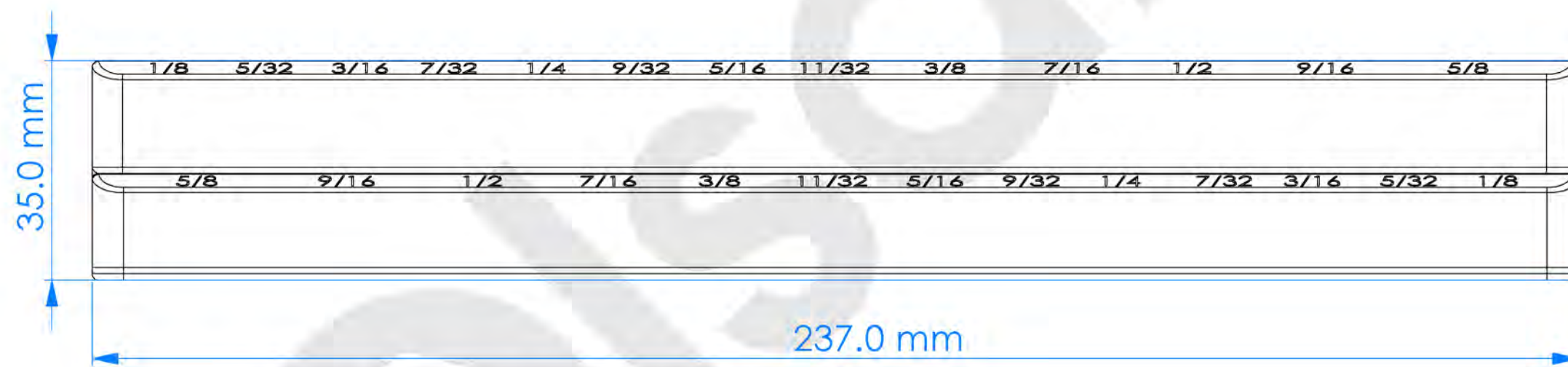
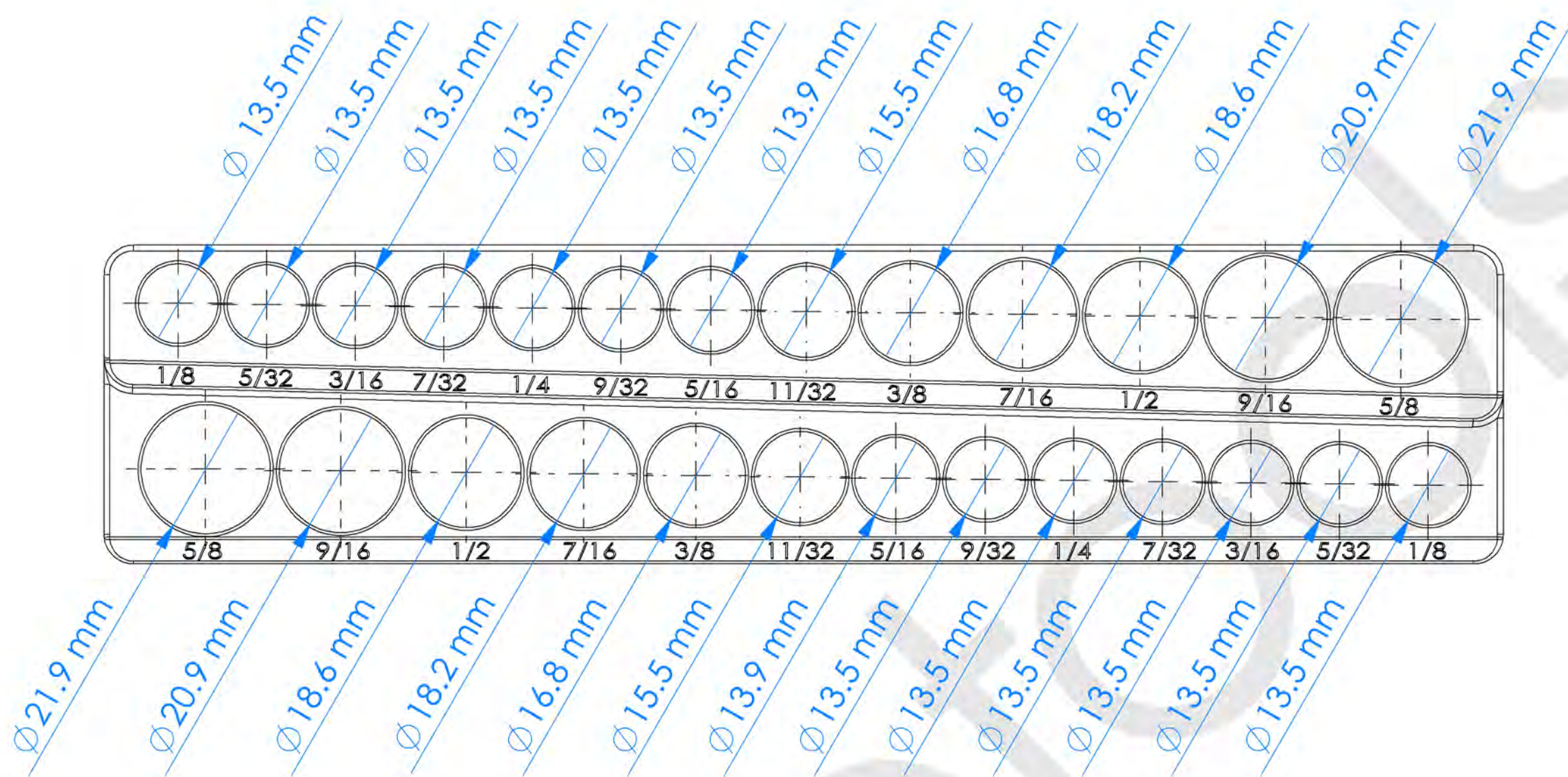
Olsatools

MAGNETIC SOCKET HOLDER

1/4-INCH DRIVE - METRIC

L × W × H: 237 × 54 × 35 mm (9³/₈ × 2¹/₈ × 1³/₈ in)

1/4-INCH DRIVE - SAE



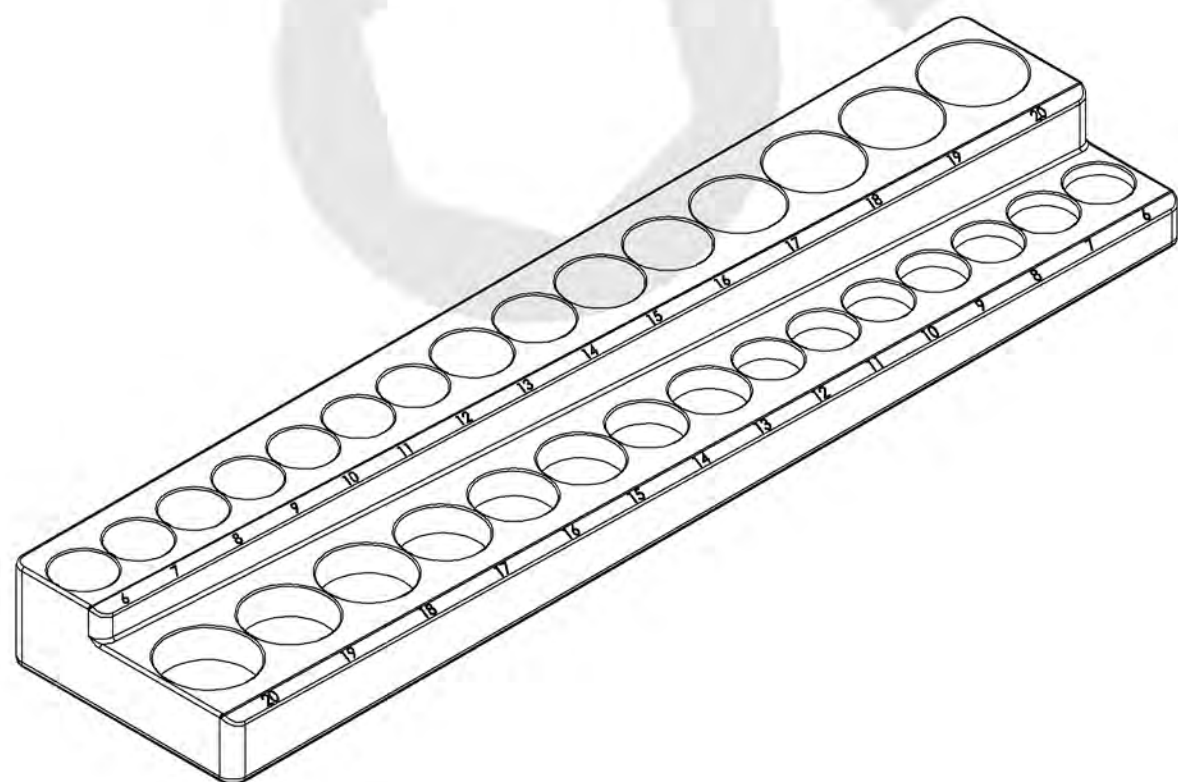
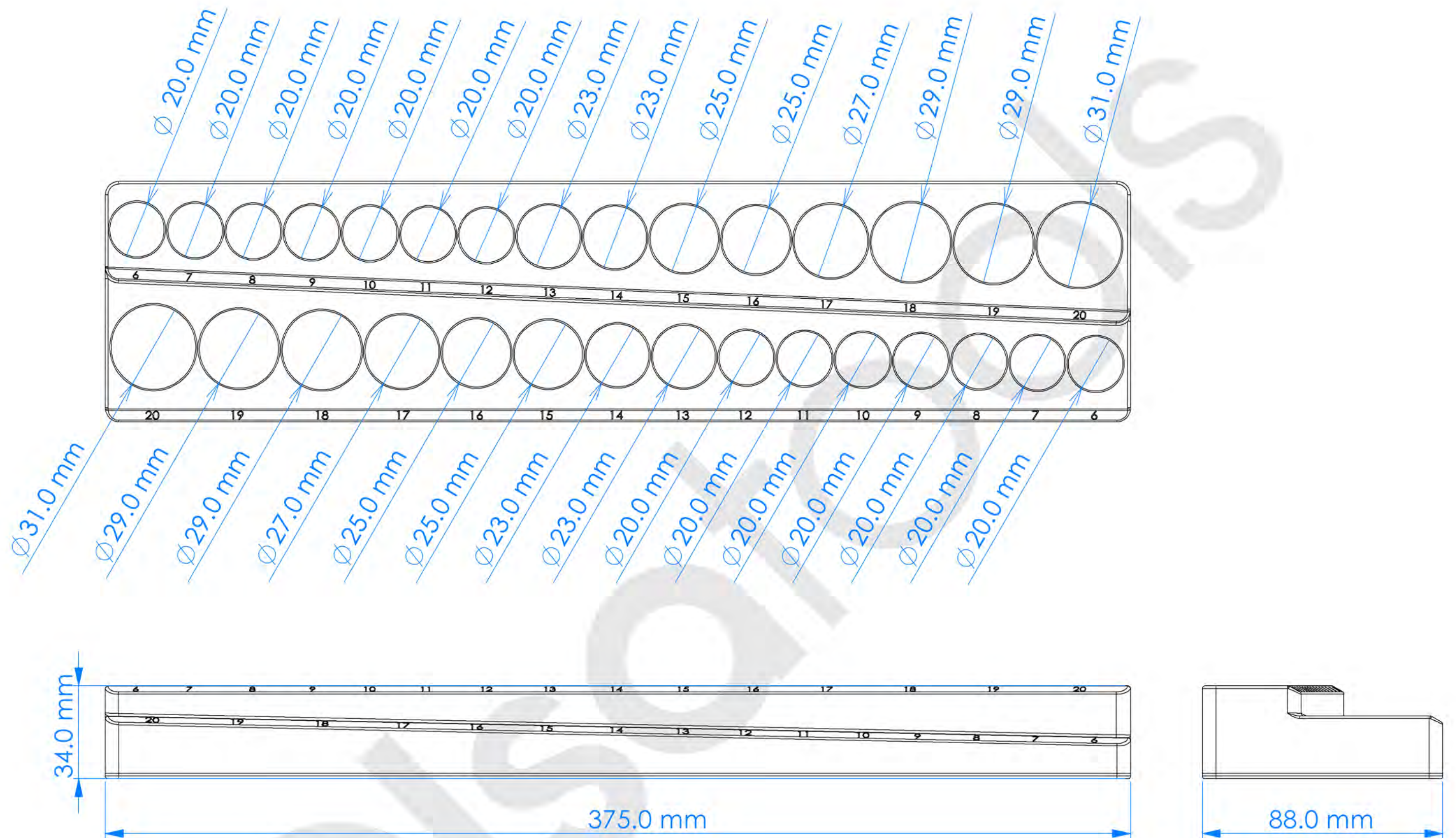
Olsatools

MAGNETIC SOCKET HOLDER

1/4-INCH DRIVE - SAE

L × W × H: 237 × 54 × 35 mm (9³/₈ × 2¹/₈ × 1³/₈ in)

3/8-INCH DRIVE - METRIC



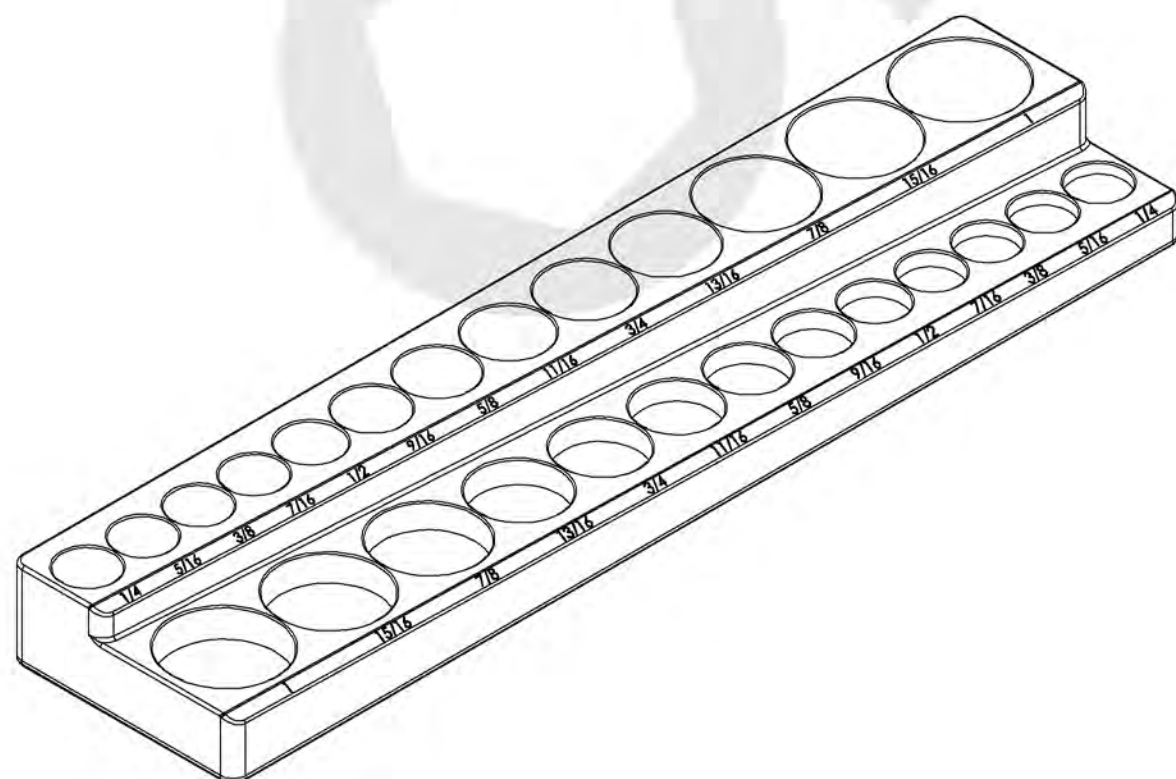
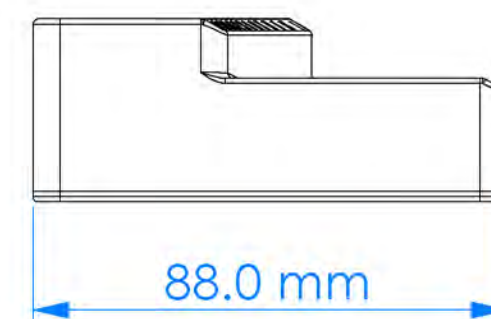
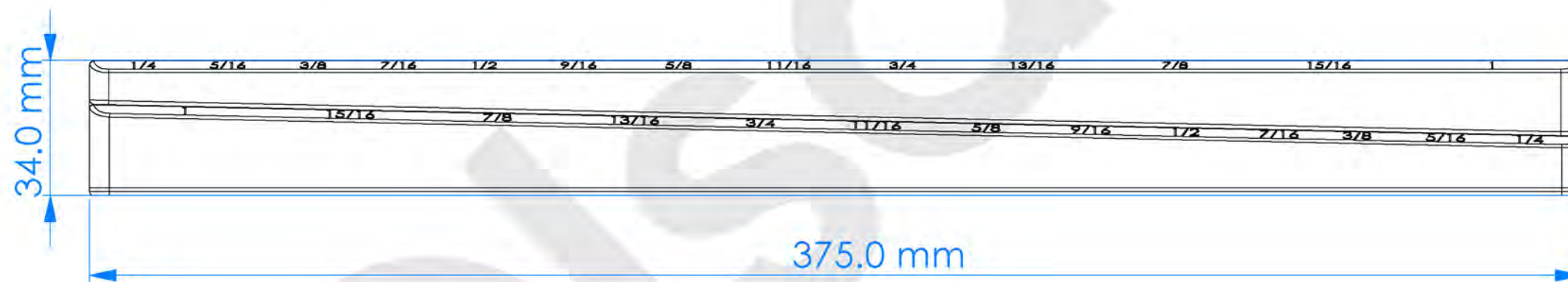
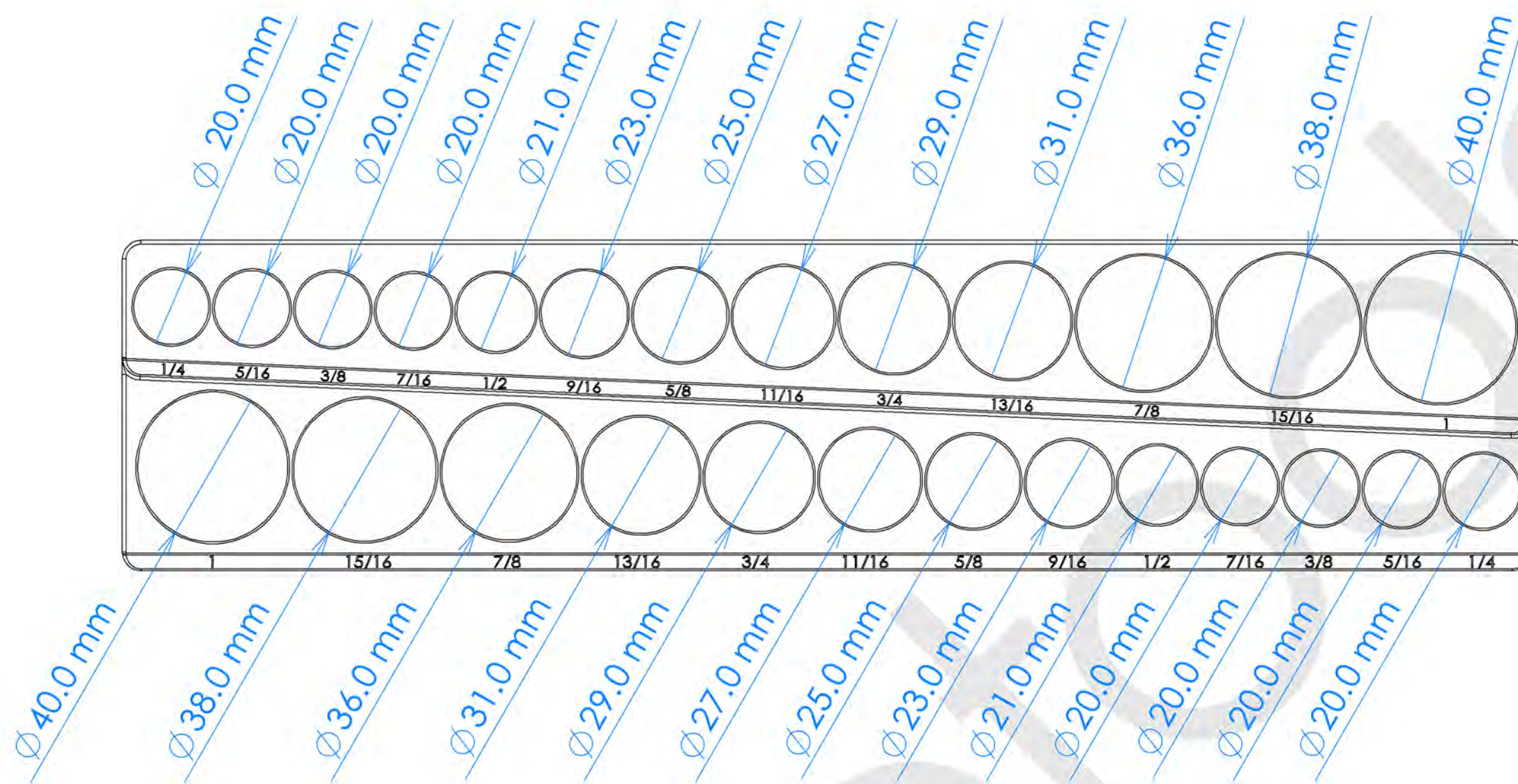
Olsatools

MAGNETIC SOCKET HOLDER

3/8-INCH DRIVE - METRIC

L × W × H: 375 × 88 × 34 mm (14³/₄ × 3¹/₂ × 1³/₈ in)

3/8-INCH DRIVE - SAE



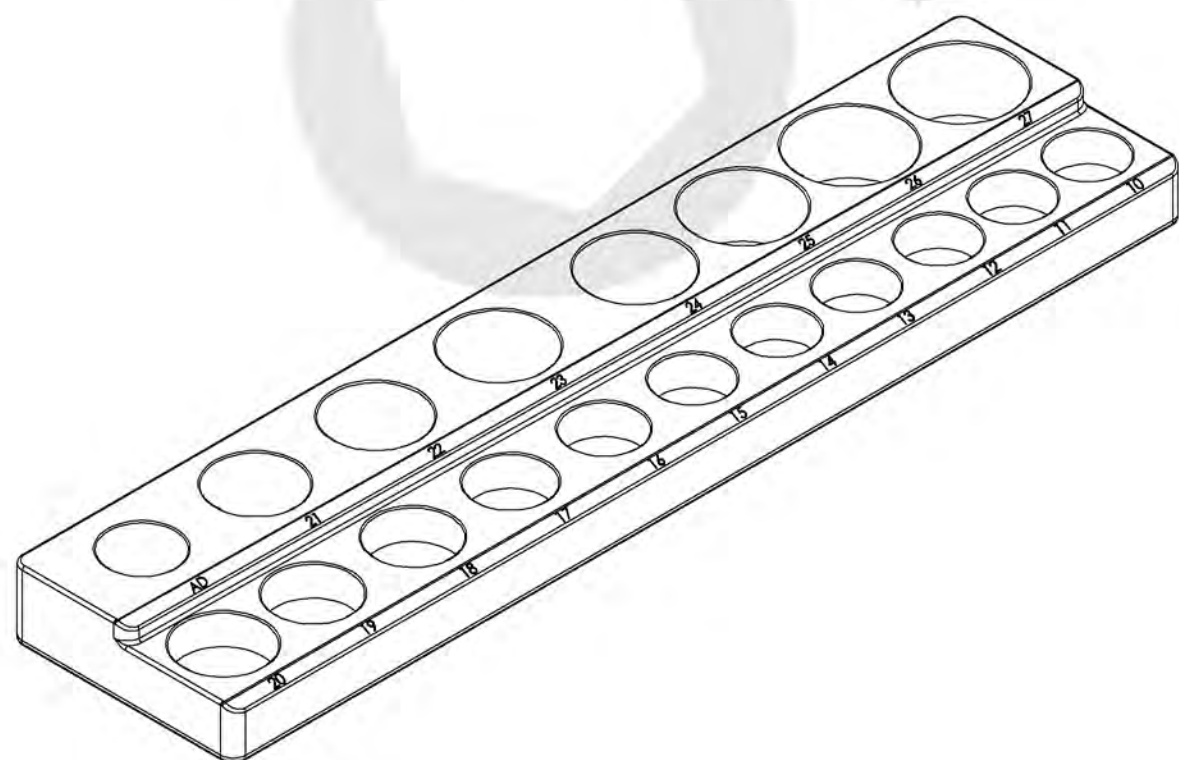
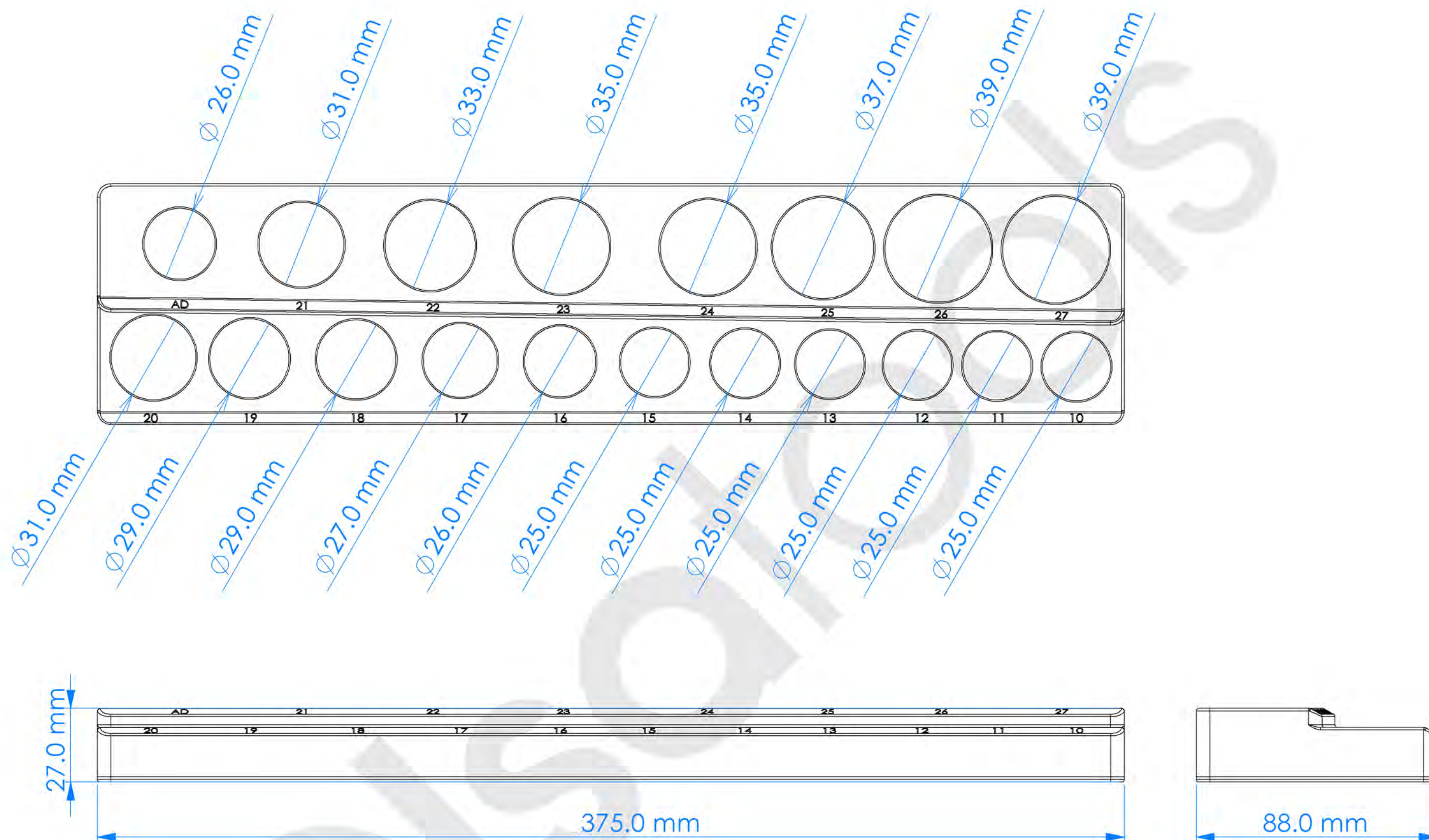
Olsatools

MAGNETIC SOCKET HOLDER

3/8-INCH DRIVE - SAE

L × W × H: 375 × 88 × 34 mm (14³/₄ × 3¹/₂ × 1³/₈ in)

1/2-INCH DRIVE - METRIC



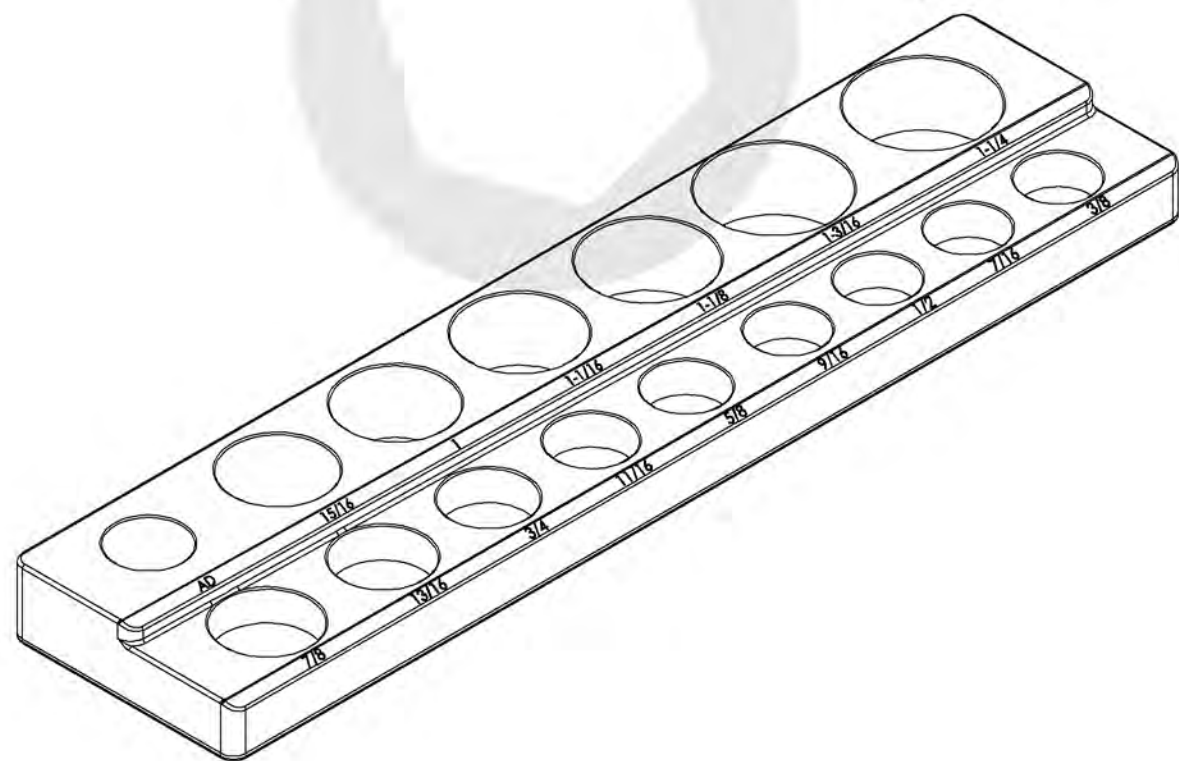
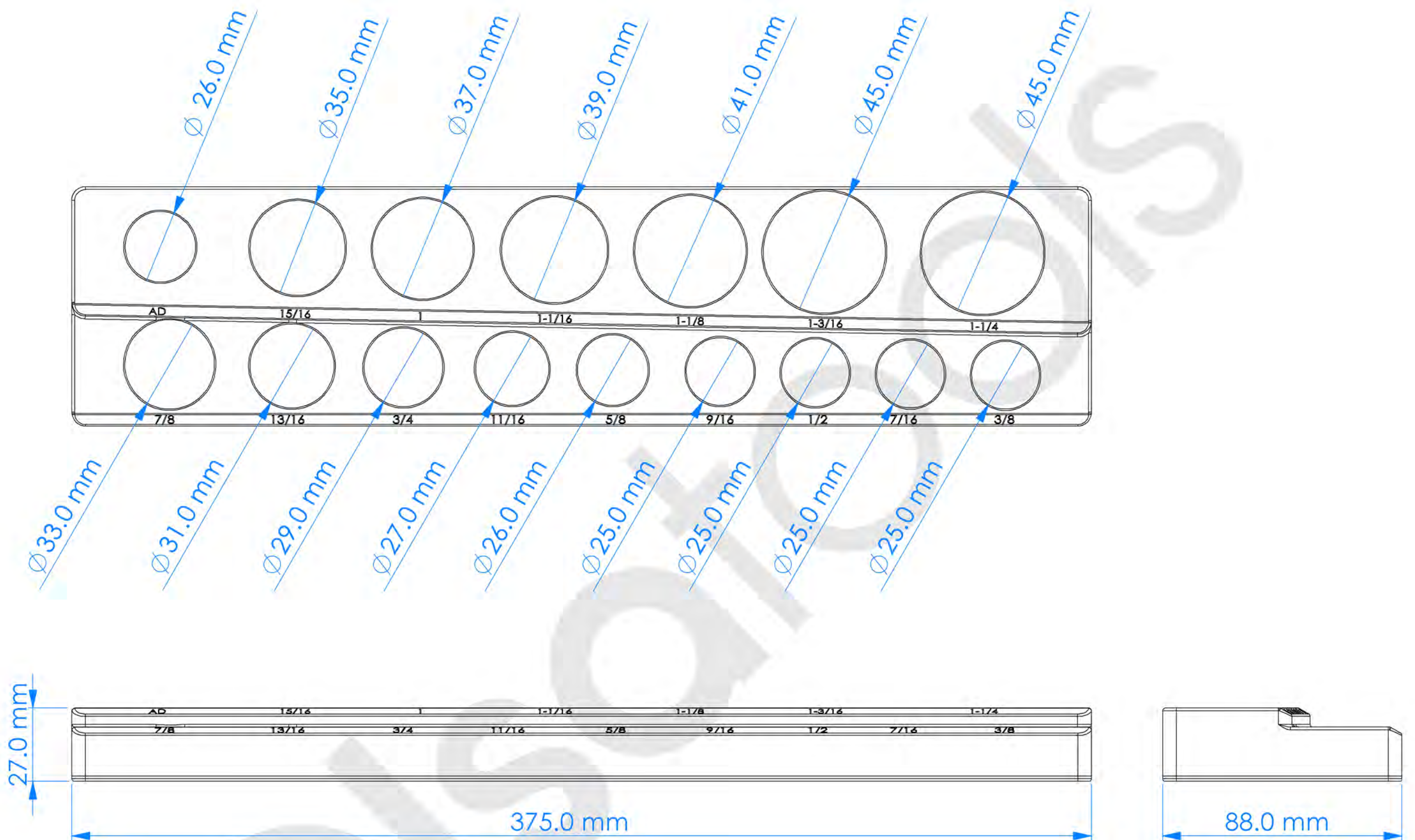
Olsatools

MAGNETIC SOCKET HOLDER

1/2-INCH DRIVE - METRIC

L × W × H: 375 × 88 × 27 mm (14³/₄ × 3¹/₂ × 1¹/₈ in)

1/2-INCH DRIVE - SAE



Olsatools

MAGNETIC SOCKET HOLDER

1/2-INCH DRIVE - SAE

L × W × H: 375 × 88 × 27 mm (14³/₄ × 3¹/₂ × 1¹/₈ in)