

BOCCHI®

Installation Manual



2015 0001, 2016 0001

SPIRAL PULL-DOWN SPRAY KITCHEN FAUCET

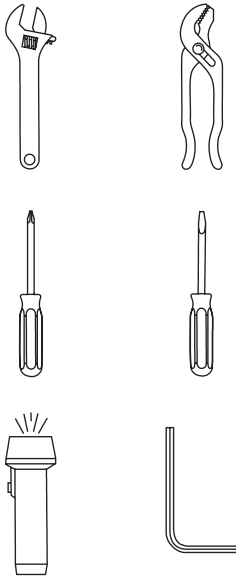
Important

In order to install more effectively, please read all information about this installation guide in detail before installation. Make sure the water source pipe without any debris to prevent blocking before installation.

Warning

Installation by a professional plumber is necessary.

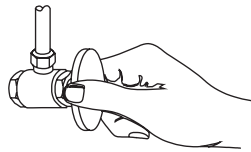
You may need tools as below:



Installation Steps

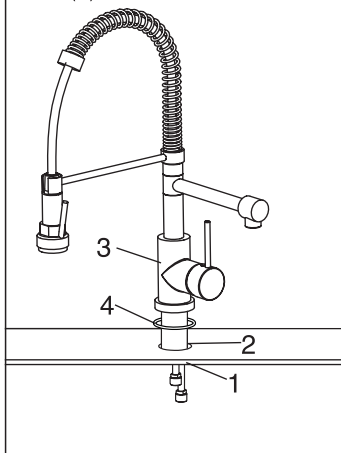
1

Clean the water valve outlet to remove debris. Turn off the water source valve which is usually near the water meter. If changing the previous faucet, the sink should be clean thoroughly.



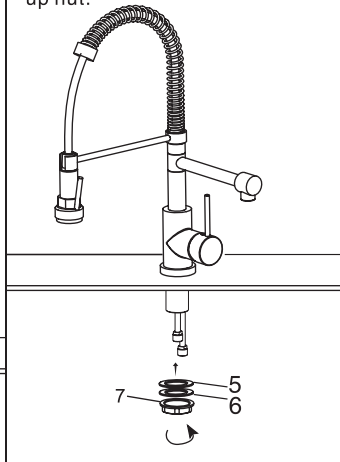
2

Drill a hole in 1 3/8" (Φ35mm) diameter, put the sealing gasket (4) into the groove of body(3) and insert into the hole(2).



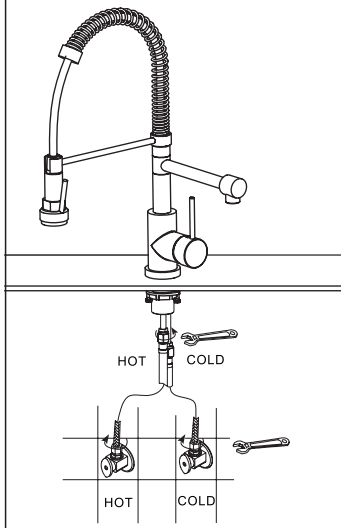
3

After making sure the faucet is in right location, wear the gasket (5) and nut(6) into bottom of body, fix the faucet by tighten up nut.



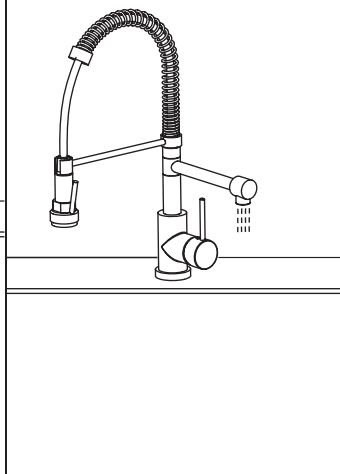
4

Connect the faucet and water supply valve with flexible hose. Left link to hot water while right for cold.



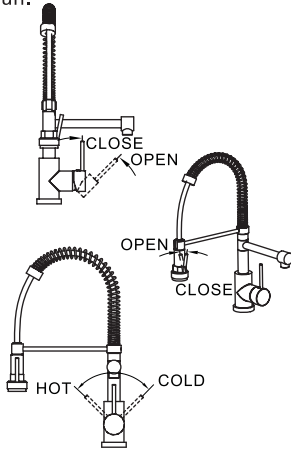
5

Check each connection carefully to ensure well finish. Switch on the angle valve, turn on then turn off the faucet to check whether it has leakage



6

Turn the faucet in the right direction by pulling the handle and push the handle to turn off the tap in the left direction. And control the hot and cold by turning the handle left or right. Press the handle of the gun to switch the water from the spray gun.



Caution: Maintenance

1. If you change the accessory, it is better for you to buy accessory in the same shop which you bought the faucet before.
2. Make sure the water source is in "TURN OFF" position when you maintain the faucet.

Cleaning Instructions:

1. Clean the faucet frequently to keep it clean.
2. Clean up with pure or soft water and dry it out with soft cloth.
3. Never clean the surface with a coarse cloth or tissue.
4. Not allowed to use any acid liquid and grinding agent to clean the surface.