

Kit cover in carbonio per ammortizzatore posteriore - 96450711B

Carbon cover for rear shock absorber kit - 96450711B

Simbologia

Per una lettura rapida e razionale sono stati impiegati simboli che evidenziano situazioni di massima attenzione, consigli pratici o semplici informazioni. Prestare molta attenzione al significato dei simboli, in quanto la loro funzione è quella di non dovere ripetere concetti tecnici o avvertenze di sicurezza. Sono da considerare, quindi, dei veri e propri "promemoria". Consultare questa pagina ogni volta che sorgessero dubbi sul loro significato.



Attenzione

La non osservanza delle istruzioni riportate può creare una situazione di pericolo e causare gravi lesioni personali e anche la morte.



Importante

Indica la possibilità di arrecare danno al veicolo e/o ai suoi componenti se le istruzioni riportate non vengono eseguite.



Note

Fornisce utili informazioni sull'operazione in corso.

Riferimenti

I particolari evidenziati in grigio e riferimento numerico (Es. ①) rappresentano l'accessorio da installare e gli eventuali componenti di montaggio forniti a kit.

I particolari con riferimento alfabetico (Es. (A)) rappresentano i componenti originali presenti sul motoveicolo.

Tutte le indicazioni destro o sinistro si riferiscono al senso di marcia del motociclo.

Avvertenze generali



Attenzione

Le operazioni riportate nelle pagine seguenti devono essere eseguite da un tecnico specializzato o da un'officina autorizzata Ducati.



Attenzione

Le operazioni riportate nelle pagine seguenti se non eseguite a regola d'arte possono pregiudicare la sicurezza del pilota.



Note

Documentazione necessaria per eseguire il montaggio del Kit è il Manuale Officina, relativo al modello di moto in vostro possesso.



Note

Nel caso fosse necessaria la sostituzione di un componente del kit consultare la tavola ricambi allegata.

Symbols

The symbols used in this manual are aimed at making reading direct and easy. The symbols are used either to draw the reader's attention on potentially hazardous conditions, or to give practical advice or to supply general information. Pay the utmost attention to these symbols as they are used to remind of technical principles or safety measures which will not be repeated extensively. They must therefore be considered as "reminders". Check with this page in case of doubt about their meaning.



Warning

Failure to comply with these instructions may put you at risk and lead to severe injury or death.



Important

It indicates the possibility of damaging the motorcycle and/or its components if the instructions are not followed.



Notes

It supplies useful information about the operation in progress.

References

The parts highlighted in grey and with a reference number (e.g. ①) represent the accessory to be installed and any assembly components supplied with the kit.

The parts with alphabetic reference (e.g. (A)) represent the original components present on the motorcycle.

All left and right indications are referred to the motorcycle direction of travel (forward riding position).

General notes



Warning

The operations listed in the following pages must be carried out by a specialised technician or by a Ducati authorised service centre.



Warning

Carefully perform the operations on the following pages since they might negatively affect rider safety.



Notes

The Workshop Manual of your motorcycle model is the documentation required to assemble the Kit.



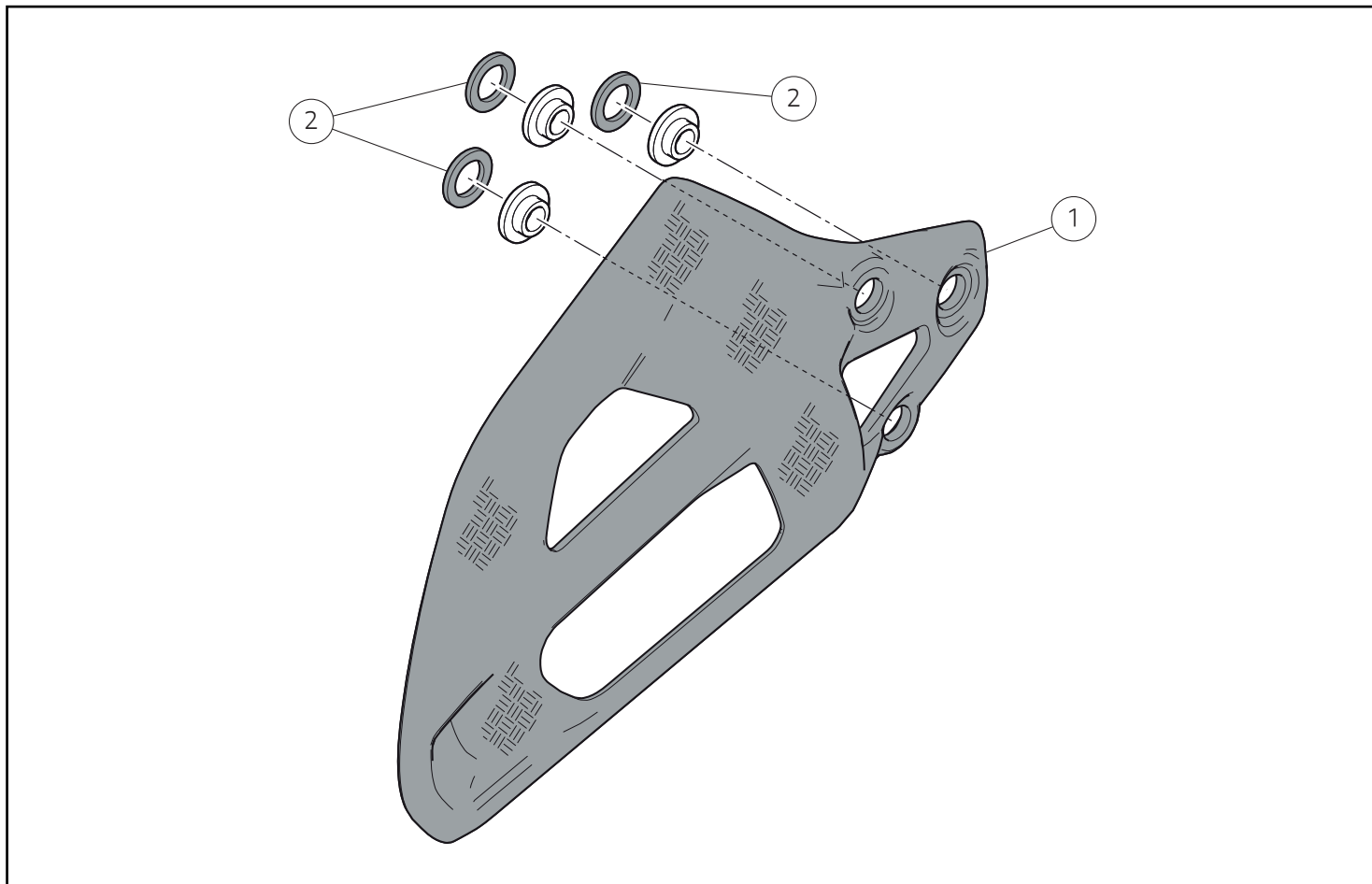
Notes

Should it be necessary to change any kit parts, please refer to the attached spare part table.



Warning

Operating, servicing and maintaining a passenger vehicle or off-highway motor vehicle can expose you to chemicals including engine exhaust, carbon monoxide, phthalates, and lead, which are known to the State of California to cause cancer and birth defects or other reproductive harm. To minimize exposure, avoid breathing exhaust, do not idle the engine except as necessary, service your vehicle in a well-ventilated area and wear gloves or wash your hands frequently when servicing your vehicle. For more information go to www.P65Warnings.ca.gov/passenger-vehicle.



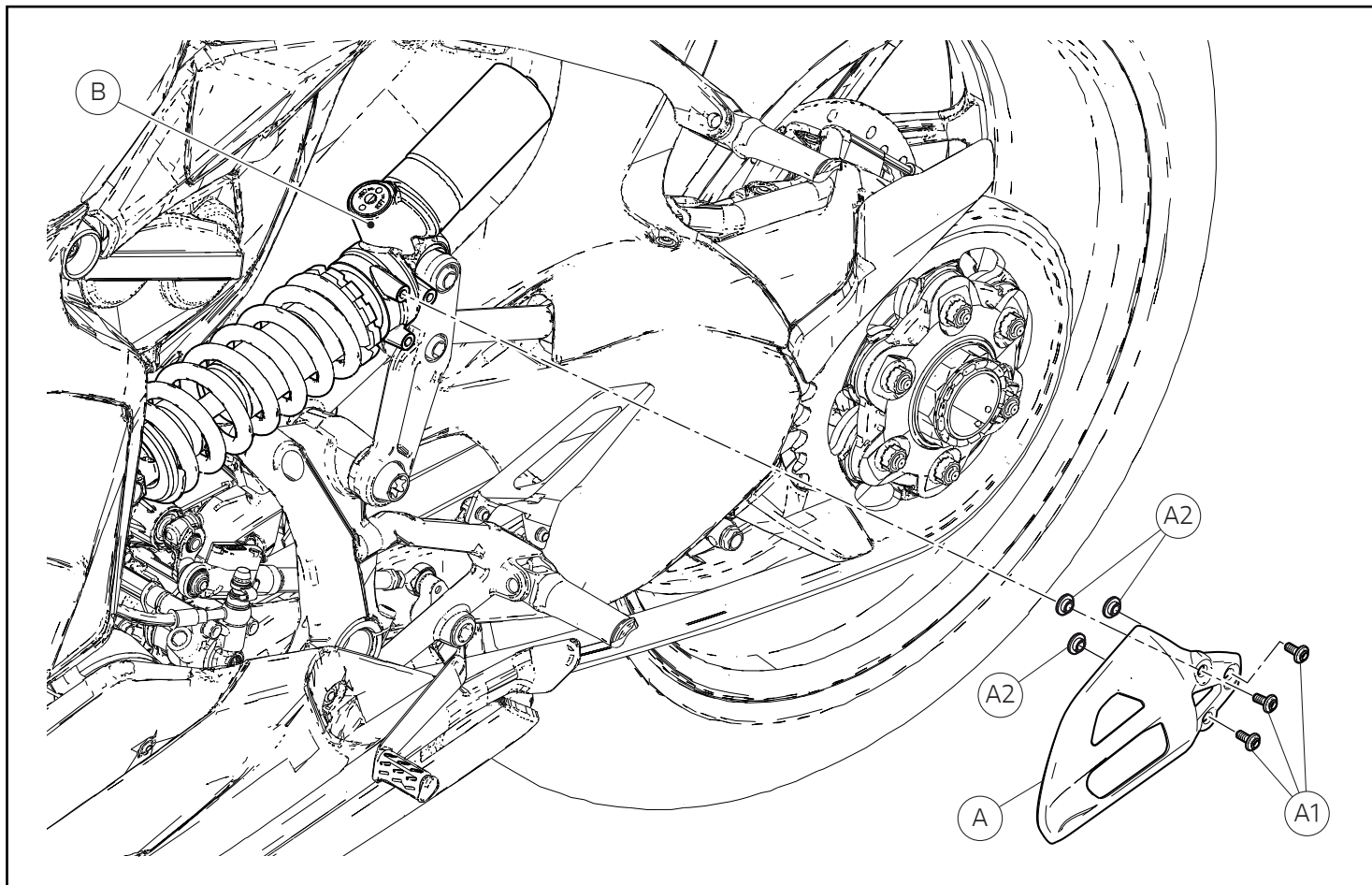
● Importante

I componenti del kit possono essere soggetti ad aggiornamenti; consultare il DCS (Dealer Communication System) per avere informazioni sempre aggiornate.

● Important

The parts of the kit can be updated; for information always up to date, please refer to DCS (Dealer Communication System).

Pos.	Denominazione	Name
1	Cover in carbonio	Carbon cover
2	Rosetta	Washer



Smontaggio componenti originali

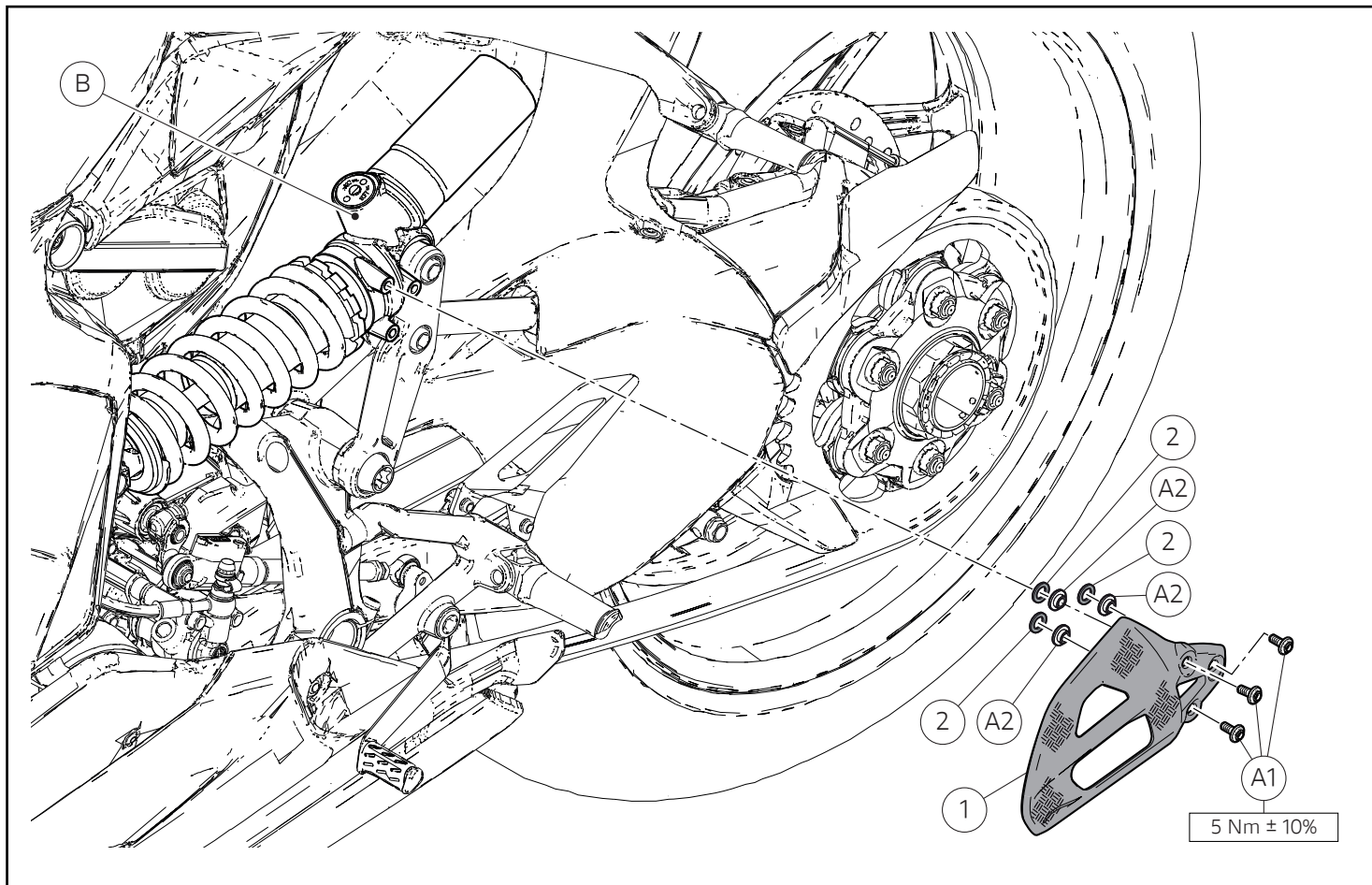
Smontaggio cover originale

Svitare e rimuovere le n.3 viti (A1). Rimuovere la cover (A) dall'ammortizzatore posteriore (B). Rimuovere dalla cover originale (A) i n.3 distanziali con collare (A2) e conservarli assieme alle n.3 viti (A1).

Removing the original components

Removing the original cover

Loosen and remove no.3 screws (A1). Remove cover (A) from the rear shock absorber (B). Remove no.3 spacers with collar (A2) from the original cover (A) and keep them together with no.3 screws (A1).



Montaggio componenti kit

● Importante

Verificare, prima del montaggio, che tutti i componenti risultino puliti e in perfetto stato. Adottare tutte le precauzioni necessarie per evitare di danneggiare qualsiasi parte nella quale ci si trova ad operare.

⚠ Attenzione

Durante il montaggio di componenti in carbonio porre particolare attenzione al serraggio delle viti di fissaggio. Serrare gli elementi di fissaggio senza forzare eccessivamente per evitare che il carbonio si danneggi.

Montaggio cover in carbonio

Inserire i n.3 distanziali originali (A2) nelle forature, dalla parte interna, della cover ammortizzatore posteriore in carbonio (1). Applicare LOCTITE 243 sul filetto delle n.3 viti originali (A1). Posizionare la cover (1) sull'ammortizzatore posteriore (B) inserendo le n.3 rosette (2) tra i distanziali (A2) e l'ammortizzatore (B). Impuntare le n.3 viti originali (A1). Serrare le n.3 viti (A1) alla coppia indicata..

Assembling the kit components

● Important

Before assembling, check that all parts are clean and in good conditions. Adopt all necessary precautions to avoid damaging any part you are working on.

⚠ Warning

When fitting carbon components, pay special attention to fastening screw tightening. Tighten the fastening elements without forcing excessively to avoid carbon damage.

Assembling the carbon cover

Insert from the inner side no.3 original spacers (A2) in the holes of rear shock absorber carbon cover (1). Apply LOCTITE 243 on the thread of no.3 original screws (A1). Position cover (1) on rear shock absorber (B) by inserting no.3 washers (2) between spacers (A2) and rear shock absorber (B). Start no.3 original screws (A1). Tighten no.3 screws (A1) to the specified torque.

Kit cache en carbone pour amortisseur arrière - 96450711B

Kit Abdeckung aus Kohlefaser für hinteres Federbein - 96450711B

Symboles

Pour une lecture rapide et rationnelle on a utilisé des symboles de mise en évidence de situations demandant une attention maximale, des conseils pratiques ou de simples informations. Faire très attention à la signification des symboles, car leur fonction vise à ne pas répéter les principes techniques ou les mises en garde de sécurité. Ils doivent être pris en compte en tant que véritables « mémorandum ». Consulter cette page en cas de doutes concernant leur signification.



Attention

L'inobservation des instructions reportées peut déterminer une situation de danger et causer de graves lésions personnelles, voire même la mort.



Important

Indique la possibilité d'endommager le motorcycle et/ou ses composants si les instructions reportées ne sont pas effectuées.



Remarques

Il fournit des informations utiles pour l'opération en cours.

Références

Les pièces surlignées en gris et la référence numérique (Ex. ①) représentent l'accessoire à installer et les composants éventuels de montage fournis en kit.

Les pièces avec référence alphabétique (Ex. Ⓐ) représentent les composants d'origine présents sur le motorcycle.

Toutes les indications à droite ou à gauche se rapportent au sens de marche du motorcycle.

Avertissements généraux



Attention

Les opérations décrites dans les pages suivantes doivent être effectuées par un technicien spécialisé ou par un centre service agréé Ducati.



Attention

Les opérations indiquées dans les pages suivantes, au cas où elles ne seraient pas effectuées selon les règles de l'art pourraient compromettre la sécurité du pilote.



Remarques

La documentation nécessaire pour la pose du kit est le Manuel d'Atelier relatif au modèle de moto en votre possession.



Remarques

Au cas où il serait nécessaire d'effectuer le remplacement d'un composant du kit, il faudra consulter la planche relative aux pièces détachées ci-jointe.

Symbole

Für ein schnelles und zweckmäßiges Lesen dieser Anleitung wurden Symbole verwendet, die Situationen, die höchste Aufmerksamkeit erfordern sowie praktische Ratschläge oder einfache Informationen hervorzuheben. Achten Sie besonders auf die Bedeutung dieser Symbole, da sie den Zweck haben, technische Konzepte oder Sicherheitswarnhinweise nicht wiederholen zu müssen. Sie sind also als echte und wahrhaftige „Merkzettel“ zu berücksichtigen. Nehmen Sie jedes Mal auf diese Seite Bezug, wenn Sie Zweifel über deren Bedeutung haben.



Achtung

Die Nichtbeachtung der angegebenen Anweisungen kann zu einer Gefahrensituation führen und schwere persönliche Verletzungen verursachen oder gar zum Tod führen.



Wichtig

Weist auf eine mögliche Beschädigung des Fahrzeugs und/oder seiner Bestandteile hin, wenn die angegebenen Anweisungen nicht befolgt werden.



Hinweise

Übermittelt nützliche Informationen zum jeweiligen Verfahren.

Bezüge

Bei den grau gekennzeichneten Bestandteilen mit numerischem Bezug (Bsp. ①) handelt es sich um die zu installierenden Teile und die eventuellen, im Kit enthaltenen Montagekomponenten.

Bei den Bestandteilen mit alphabetischem Bezug (Bsp. Ⓐ) handelt es sich um die am Motorrad vorhandenen Original-Komponenten.

Alle Angaben wie rechts oder links beziehen sich auf die Fahrtrichtung des Motorrads.

Allgemeine Warnhinweise



Achtung

Die auf den folgenden Seiten beschriebenen Arbeitsmaßnahmen müssen von einem Fachtechniker oder einer Ducati Vertragswerkstatt ausgeführt werden.



Achtung

Werden die auf den folgenden Seiten beschriebenen Arbeitsmaßnahmen nicht fachgerecht ausgeführt, kann sich dies auf die Sicherheit des Fahrers auswirken.



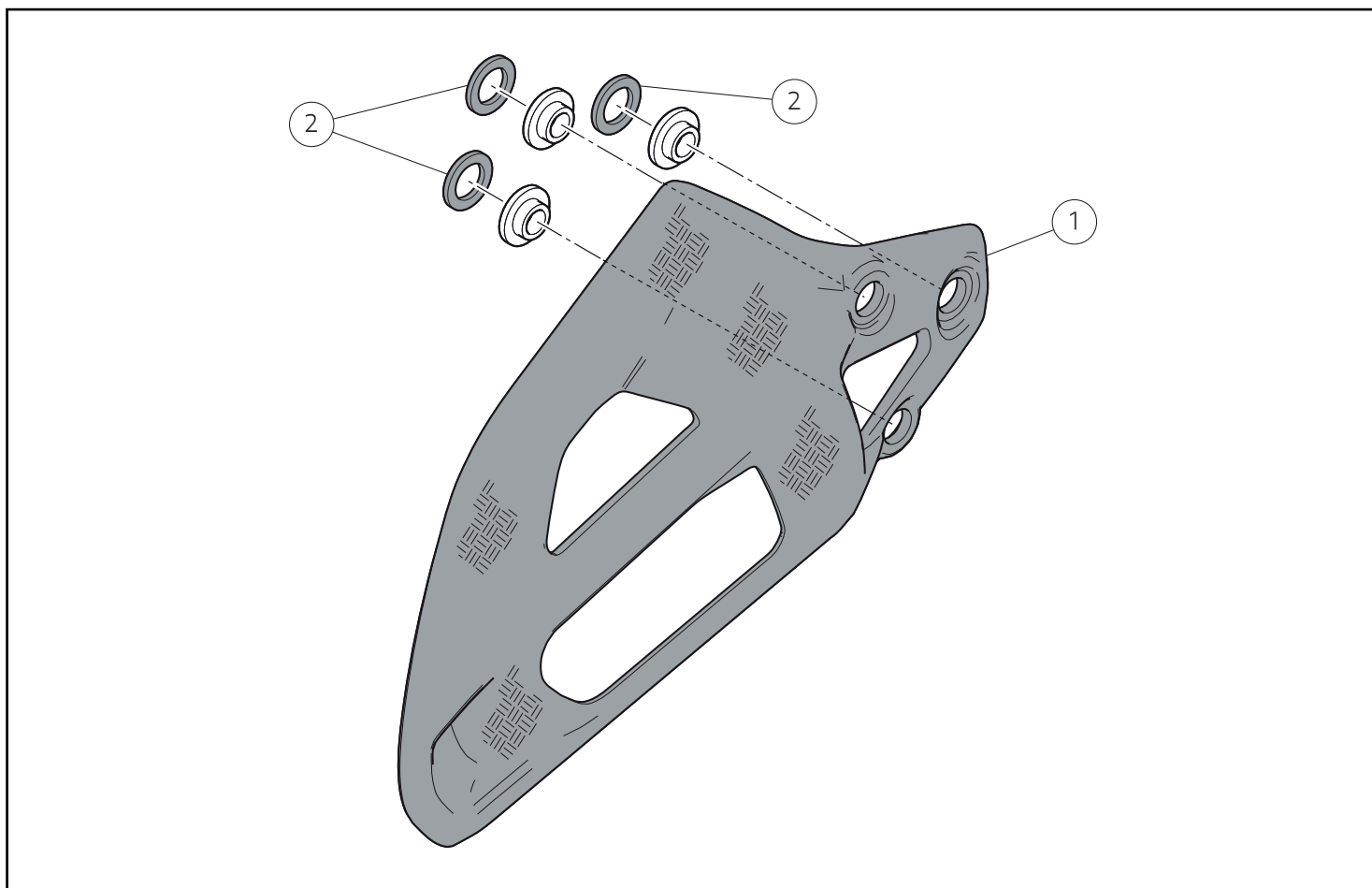
Hinweise

Die für die Montage des Kits erforderliche Dokumentation ist das Werkstatthandbuch des sich in Ihrem Besitz befindlichen Motorradmodells.



Hinweise

Sollte sich der Austausch eines Bestandteils des Kits als erforderlich erweisen, ist dazu Bezug auf die beiliegende Ersatzteilliste zu nehmen.



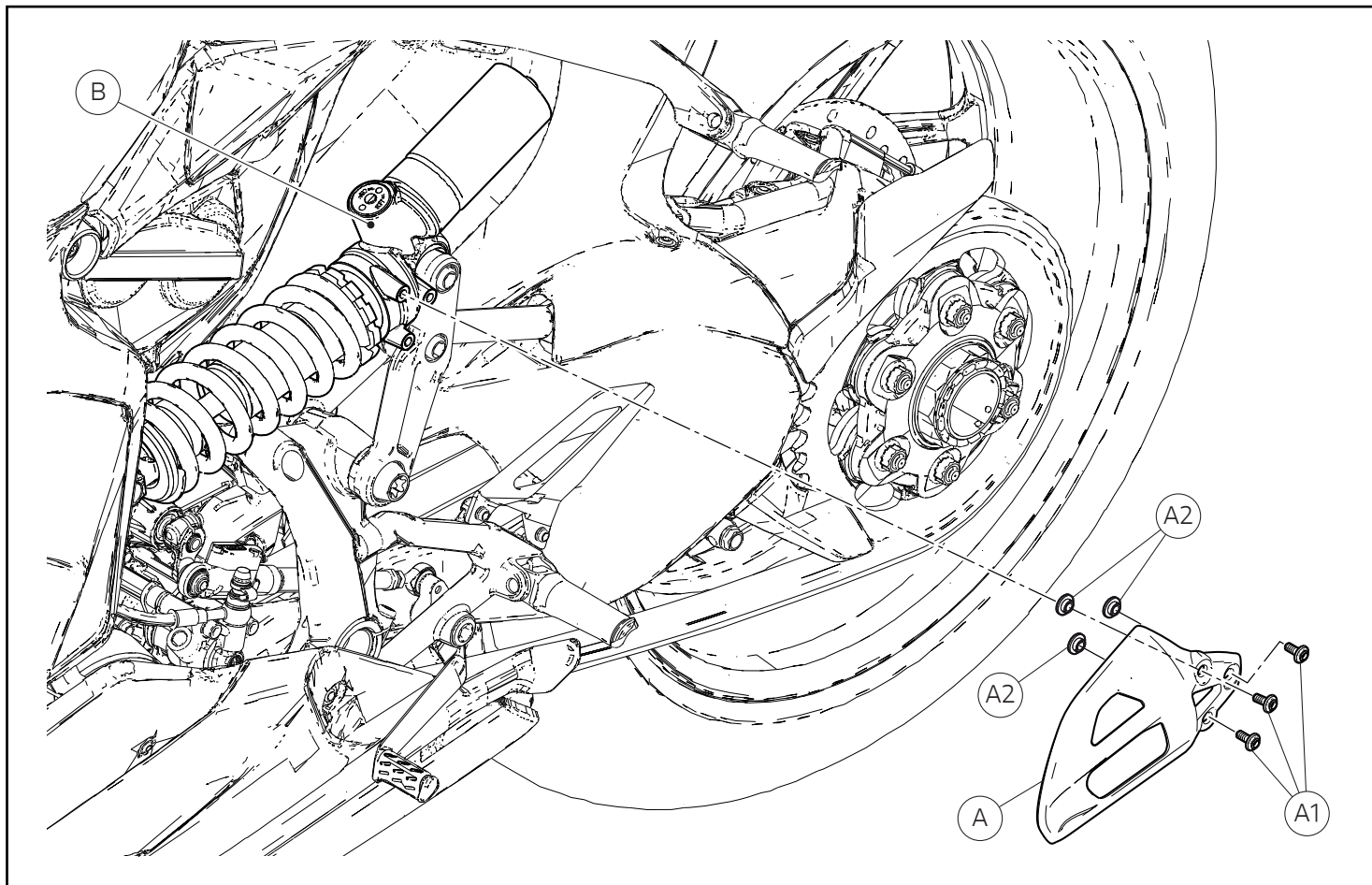
● Important

Les composants du kit peuvent être soumis à des mises à jour ; veuillez consulter le DCS (Dealer Communication System) pour des informations toujours actualisées.

● Wichtig

Die Bestandteile des Kits können Aktualisierungen unterliegen. Lesen Sie stets die Angaben im DCS (Dealer Communication System), um Informationen zur Verfügung stehen zu haben, die immer auf dem aktuellen Stand sind.

Pos.	Dénomination	Bezeichnung
1	Cache en carbone	Cover aus Kohlefaser
2	Rondelle	Unterlegscheibe



Dépose des composants d'origine

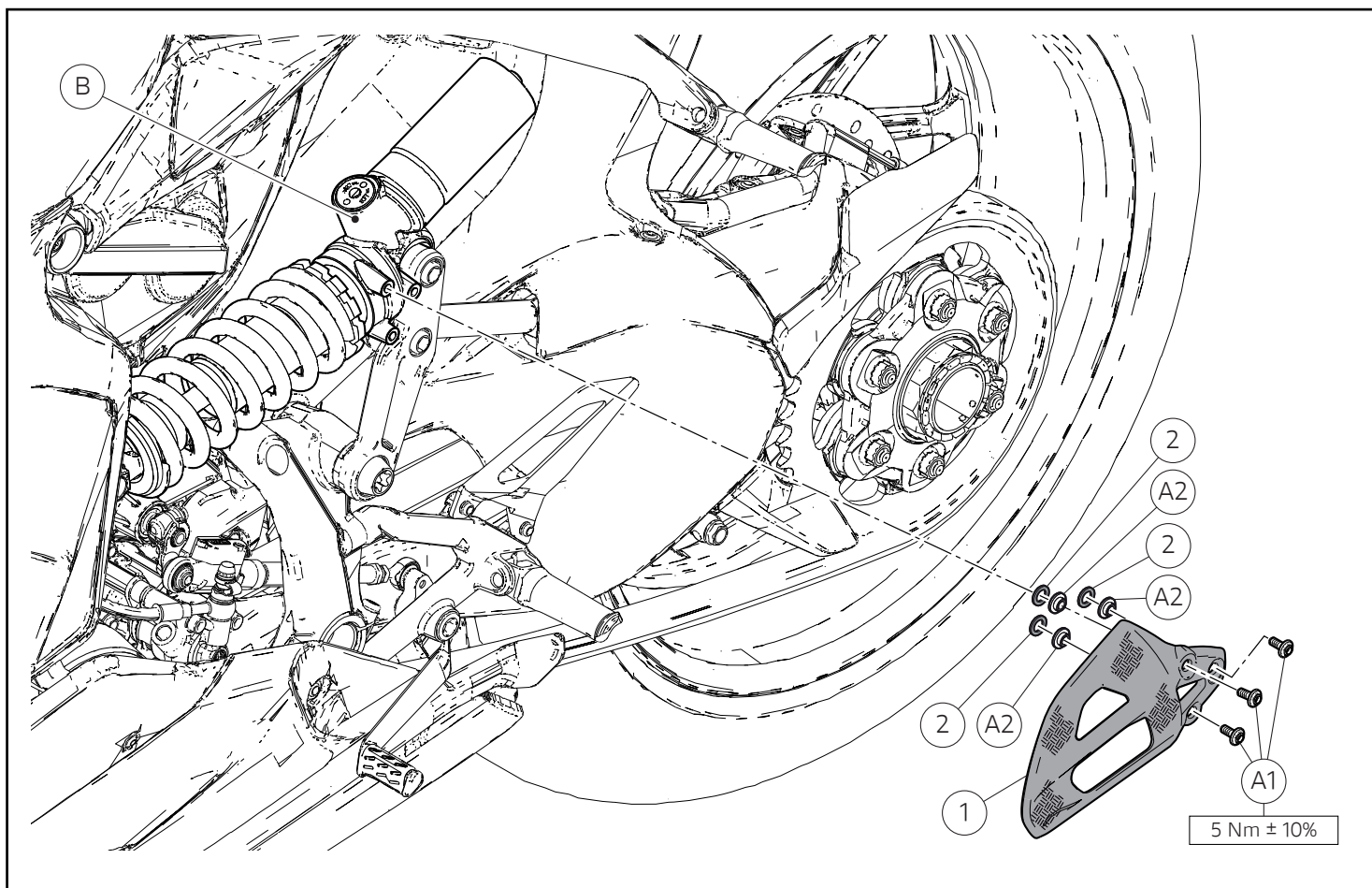
Dépose du cache d'origine

Desserrer et déposer les 3 vis (A1). Déposer le cache (A) de l'amortisseur arrière (B). Déposer les 3 entretoises à collerette (A2) du cache d'origine (A) et les conserver avec les 3 vis (A1).

Abnahme der Original-Bestandteile

Abnahme der Original-Abdeckung

Die 3 Schrauben (A1) lösen und entfernen. Die Abdeckung (A) vom hinteren Federbein (B) abnehmen. Die 3 Distanzstücke mit Bund (A2) von der Original-Abdeckung (A) entfernen und sie mit den 3 Schrauben (A1) aufbewahren.



Pose des composants kit

● Important

Avant la pose, vérifier que tous les composants sont propres et en bon état. Prendre toutes les précautions nécessaires pour éviter d'endommager toute partie dans laquelle on intervient.

⚠ Attention

Pendant la repose des composants en carbone, faire très attention au serrage des vis de fixation. Serrer les éléments de fixation sans forcer excessivement pour éviter que le carbone puisse s'abîmer.

Pose du cache en carbone

Introduire les 3 entretoises d'origine (A2) dans les perçages, de la partie intérieure, du cache amortisseur arrière en carbone (1). Appliquer du LOCTITE 243 sur le filetage des 3 vis d'origine (A1). Positionner le cache (1) sur l'amortisseur arrière (B) en introduisant les 3 rondelles (2) entre les entretoises (A2) et l'amortisseur (B). Présenter les 3 vis d'origine (A1). Serrer les 3 vis (A1) au couple prescrit.

Montage der Kit-Bestandteile

● Wichtig

Vor der Montage überprüfen, dass alle Bestandteile sauber sind und sich im perfekten Zustand befinden. Alle erforderlichen Vorichtsmaßnahmen treffen, um eine Beschädigung des jeweiligen Bereichs, in den man arbeitet, zu vermeiden.

⚠ Achtung

Bei der Montage von Kohlefaserenteilen ist beim Anzug der Befestigungsschrauben mit besonderer Vorsicht vorzugehen. Die Befestigungskomponenten sind ohne übermäßiger Kraft anzuziehen, damit die Kohlefaser nicht beschädigt wird.

Montage der Abdeckung aus Kohlefaser

Die 3 Original-Distanzstücke (A2), von der Innenseite her, in die Bohrungen der Abdeckung (1) aus Kohlefaser des hinteren Federbeins einfügen. LOCTITE 243 auf das Gewinde der 3 Original-Schrauben (A1) auftragen. Die Abdeckung (1) am hinteren Federbein (B) anordnen und dabei die 3 Unterlegscheiben (2) zwischen den Distanzstücken (A2) und dem Federbein (B) einfügen. Die 3 Original-Schrauben (A1) ansetzen. Die 3 Schrauben (A1) mit dem angegebenen Anzugmoment anziehen.

Conjunto cobertura em carbono para amortecedor traseiro - 96450711B

Carbon cover for rear shock absorber kit - 96450711B

Símbolos

Para uma leitura rápida e racional foram empregues símbolos que evidenciam situações de máxima atenção, conselhos práticos ou simples informações. Preste muita atenção ao significado dos símbolos, porque a sua função é não ter de repetir conceitos técnicos ou avisos de segurança. Portanto, devem ser considerados verdadeiros "lembretes". Consulte esta página sempre que surgirem dúvidas sobre o seu significado.



Atenção

O não cumprimento das instruções fornecidas pode criar uma situação de perigo e causar graves lesões pessoais e até mesmo a morte.



Importante

Indica a possibilidade de provocar danos no veículo e/ou aos seus componentes se as instruções fornecidas não forem executadas.



Notas

Fornecer informações úteis sobre a operação em andamento.

Referências

As peças assinaladas a cinzento e a referência numérica (Ex. ①) representam o acessório a instalar e os eventuais componentes de montagem fornecidos no conjunto.

As peças com referência alfabética (Ex. (A)) representam os componentes originais presentes na moto.

Todas as indicações direito ou esquerdo referem-se ao sentido de avanço da moto.

Advertências gerais



Atenção

As operações mostradas nas páginas a seguir devem ser executadas por um técnico especializado ou por uma oficina autorizada Ducati.



Atenção

As operações mostradas nas páginas a seguir, se não forem executadas com boa técnica, podem prejudicar a segurança do condutor.



Notas

A documentação necessária para executar a montagem do Conjunto é o Manual de Oficina, relativo ao modelo de moto em sua posse.



Notas

Caso seja necessária a substituição de um componente do conjunto, consulte a figura de peças de reposição em anexo.

Symbols

The symbols used in this manual are aimed at making reading direct and easy. The symbols are used either to draw the reader's attention on potentially hazardous conditions, or to give practical advice or to supply general information. Pay the utmost attention to these symbols as they are used to remind of technical principles or safety measures which will not be repeated extensively. They must therefore be considered as "reminders". Check with this page in case of doubt about their meaning.



Warning

Failure to comply with these instructions may put you at risk and lead to severe injury or death.



Important

It indicates the possibility of damaging the motorcycle and/or its components if the instructions are not followed.



Notes

It supplies useful information about the operation in progress.

References

The parts highlighted in grey and with a reference number (e.g. ①) represent the accessory to be installed and any assembly components supplied with the kit.

The parts with alphabetic reference (e.g. (A)) represent the original components present on the motorcycle.

All left and right indications are referred to the motorcycle direction of travel (forward riding position).

General notes



Warning

The operations listed in the following pages must be carried out by a specialised technician or by a Ducati authorised service centre.



Warning

Carefully perform the operations on the following pages since they might negatively affect rider safety.



Notes

The Workshop Manual of your motorcycle model is the documentation required to assemble the Kit.



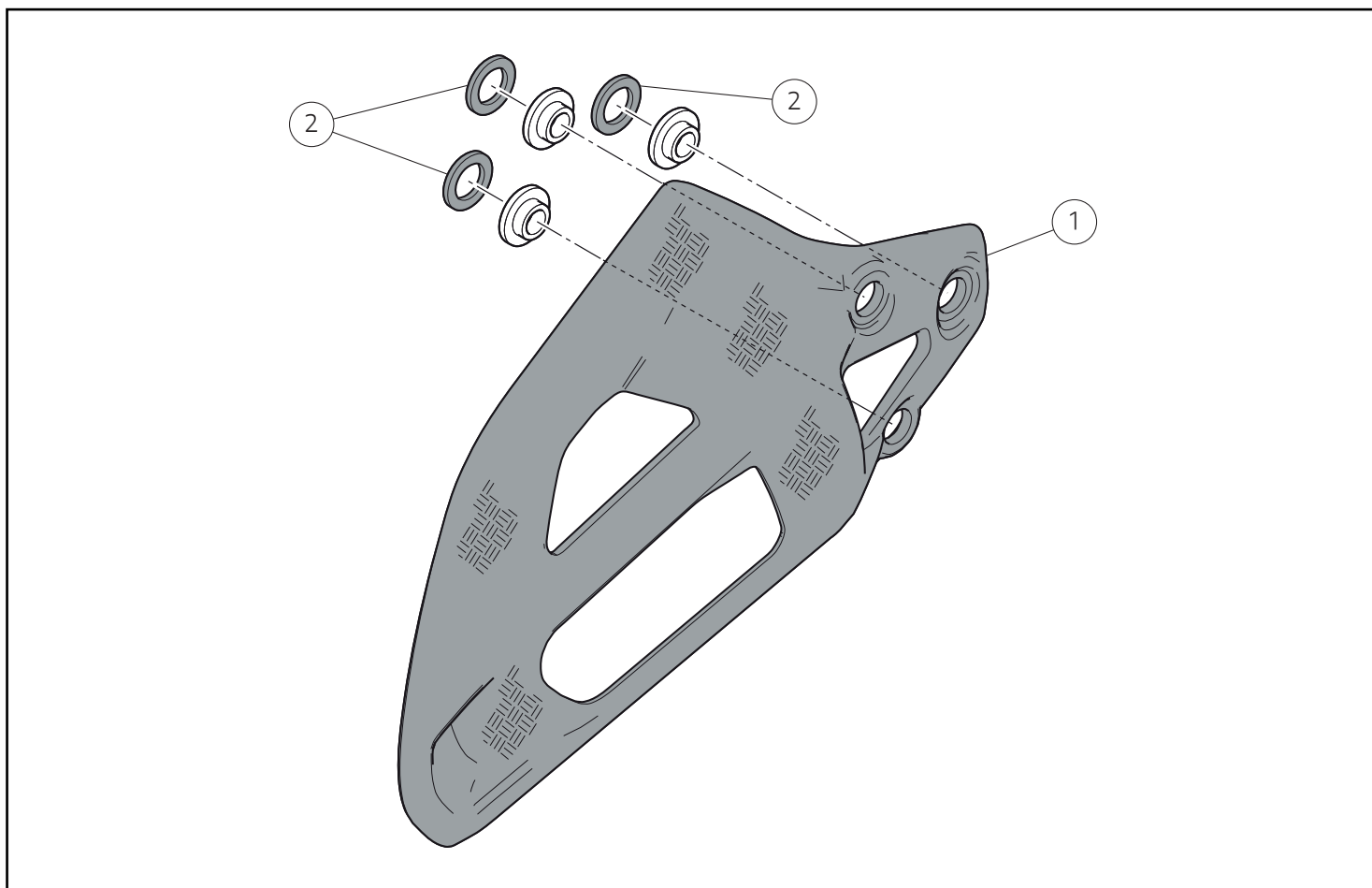
Notes

Should it be necessary to change any kit parts, please refer to the attached spare part table.



Warning

Operating, servicing and maintaining a passenger vehicle or off-highway motor vehicle can expose you to chemicals including engine exhaust, carbon monoxide, phthalates, and lead, which are known to the State of California to cause cancer and birth defects or other reproductive harm. To minimize exposure, avoid breathing exhaust, do not idle the engine except as necessary, service your vehicle in a well-ventilated area and wear gloves or wash your hands frequently when servicing your vehicle. For more information go to www.P65Warnings.ca.gov/passenger-vehicle.



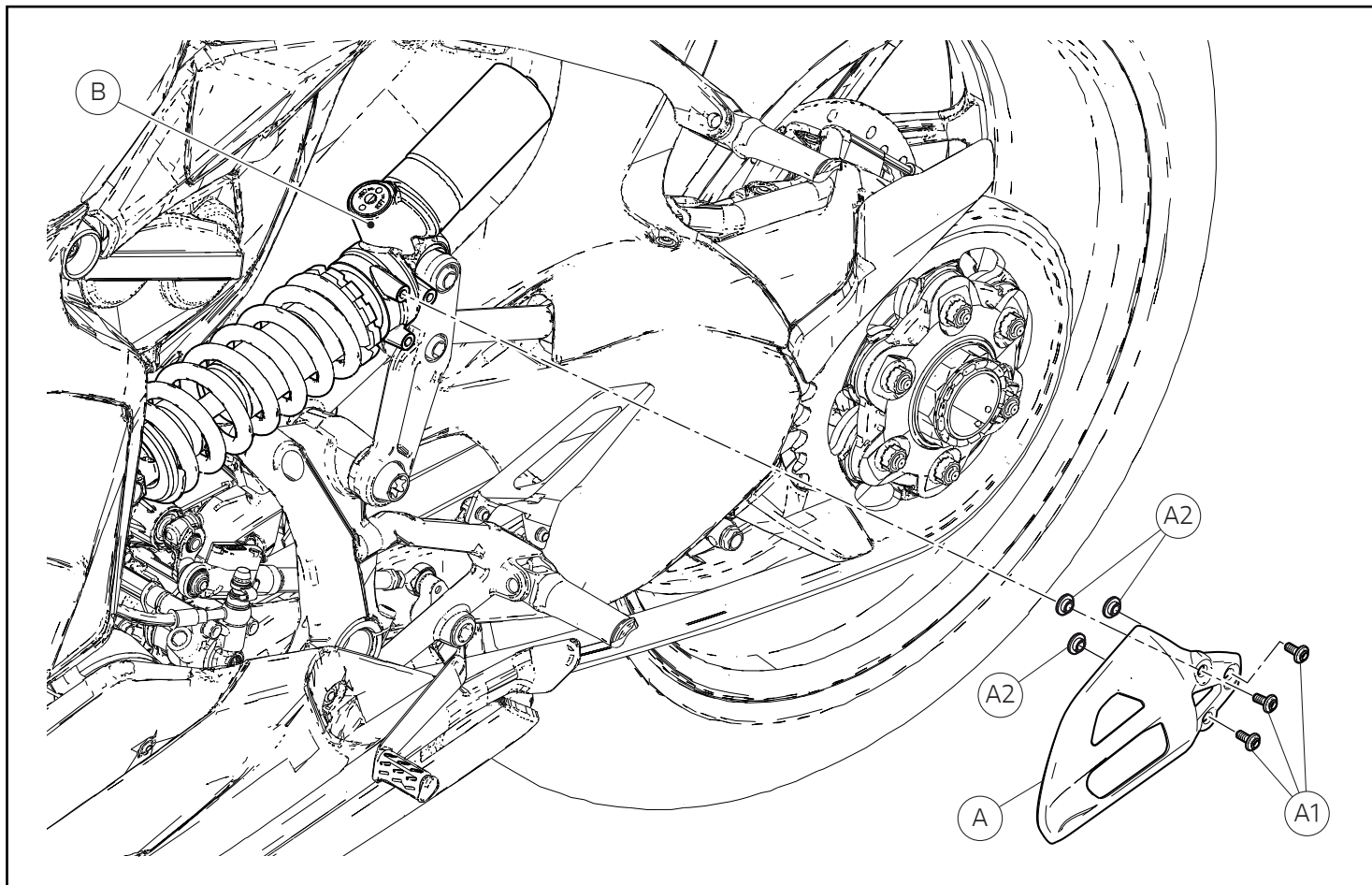
● Importante

Os componentes do conjunto podem sofrer atualizações; consulte o DCS (Dealer Communication System) a fim de obter informações sempre atualizadas.

● Important

The parts of the kit can be updated; for information always up to date, please refer to DCS (Dealer Communication System).

Pos.	Denominação	Name
1	Cobertura em carbono	Carbon cover
2	Arruela	Washer



Desmontagem dos componentes originais

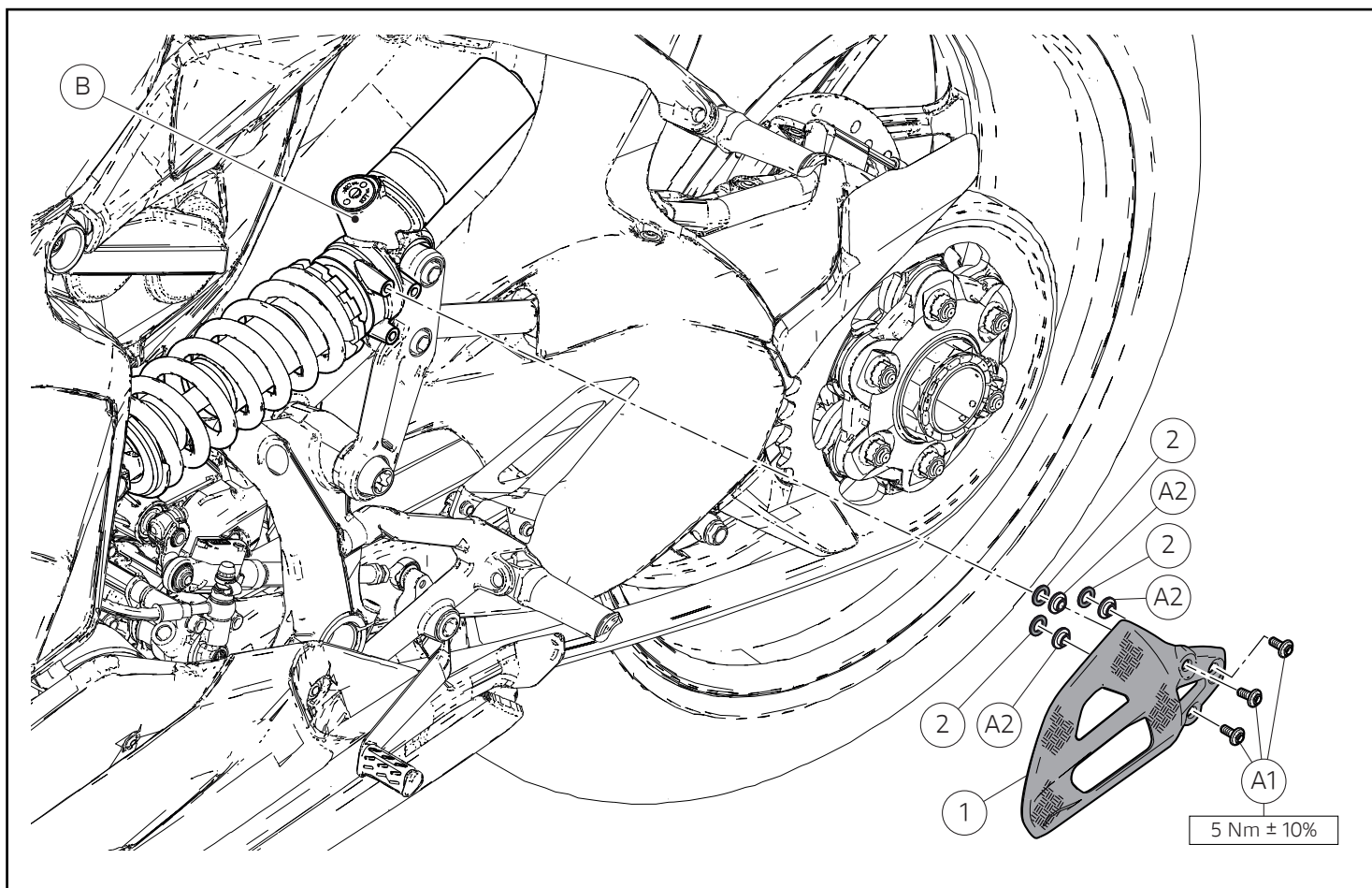
Removing the original components

Desmontagem da cobertura original

Desatarraxe e remova os 3 parafusos (A1). Remova a cobertura (A) do amortecedor traseiro (B). Remova da cobertura original (A) os 3 espaçadores com colar (A2) e guarde-os junto com os 3 parafusos (A1).

Removing the original cover

Loosen and remove no.3 screws (A1). Remove cover (A) from the rear shock absorber (B). Remove no.3 spacers with collar (A2) from the original cover (A) and keep them together with no.3 screws (A1).



Montagem dos componentes do conjunto

● Importante

Verifique, antes da montagem, se todos os componentes estão limpos e em perfeito estado. Adote todas as precauções necessárias para evitar danificar qualquer peça com a qual deve trabalhar.

⚠ Atenção

Durante a montagem de componentes de carbono, preste especial atenção ao aperto dos parafusos de fixação. Aperte os elementos de fixação sem forçar excessivamente, a fim de evitar que o carbono seja danificado.

Montagem da cobertura em carbono

Insira os 3 espaçadores originais (A2) nas furações, pela parte interna, da cobertura do amortecedor traseiro em carbono (1). Aplique LOCTITE 243 na rosca dos 3 parafusos originais (A1). Posicione a cobertura (1) no amortecedor traseiro (B) inserindo as 3 arruelas (2) entre os espaçadores (A2) e o amortecedor (B). Encoste os 3 parafusos originais (A1). Aperte os 3 parafusos (A1) ao binário indicado.

Assembling the kit components

● Important

Before assembling, check that all parts are clean and in good conditions. Adopt all necessary precautions to avoid damaging any part you are working on.

⚠ Warning

When fitting carbon components, pay special attention to fastening screw tightening. Tighten the fastening elements without forcing excessively to avoid carbon damage.

Assembling the carbon cover

Insert from the inner side no.3 original spacers (A2) in the holes of rear shock absorber carbon cover (1). Apply LOCTITE 243 on the thread of no.3 original screws (A1). Position cover (1) on rear shock absorber (B) by inserting no.3 washers (2) between spacers (A2) and rear shock absorber (B). Start no.3 original screws (A1). Tighten no.3 screws (A1) to the specified torque.

Kit cover de carbono para amortiguador trasero - 96450711B

リアショックアブソーバー用カーボンファイバー製カバーキット - 96450711B

Símbolos

Para que la lectura resulte más rápida y racional, se han utilizado símbolos que evidencian situaciones de máxima atención, consejos prácticos o simples informaciones. Prestar mucha atención al significado de los símbolos, porque su función es la de sustituir conceptos técnicos o advertencias de seguridad que no serán repetidos. Por lo tanto, deben considerarse verdaderos "recordatorios". Consultar siempre esta página en caso de dudas sobre su significado.

**Atención**

La inobservancia de las instrucciones puede originar situaciones de peligro y lesiones graves o mortales.

**Importante**

Indica la posibilidad de dañar el vehículo y/o sus componentes si no se observan las instrucciones.

**Notas**

Suministra información útil sobre la operación en curso.

Referencias

Las partes resaltadas en gris y la referencia numérica (Por ej. ①) representan el accesorio que se debe instalar y los demás componentes de montaje suministrados en el kit.

Los detalles con referencia alfabética (p. ej. (A)) representan los componentes originales presentes en la motocicleta.

Todas las indicaciones derecho o izquierdo se refieren al sentido de marcha de la motocicleta.

Advertencias generales

**Atención**

Las operaciones indicadas en las páginas siguientes deben realizarlas un técnico especializado o un taller autorizado Ducati.

**Atención**

Las operaciones descritas en las siguientes páginas deben realizarse correctamente para no perjudicar la seguridad del piloto.

**Notas**

El documento necesario para realizar el montaje del Kit es el Manual de Taller del modelo de moto que poseen.

**Notas**

Si fuera necesario sustituir un componente del kit, consultar la tabla de recambios adjunta.

シンボル

素早くかつ合理的に読み進めることができるように、本マニュアルではいくつかのシンボルを導入し、最大限の注意を払う必要がある状況や、推奨事項、または一般情報を明確にしてあります。技術的概念や安全に関する警告を繰り返し記載する必要がないように機能しているので、各シンボルの意味に十分注意してください。シンボルは、実際上の“覚え書き”であると考えてください。シンボルなどの意味がわからなくなったり疑問に思う場合は、必ずこのページで調べるようにしてください。

**警告**

この説明を遵守しなかった場合、重度の負傷および死亡に至る危険性があります。

**重要**

記載されている内容が遵守されない場合、車両および車両部品を損傷するおそれがあることを示しています。

**参考**

実施中の作業について役に立つ情報を提供します。

詳細

灰色で表示する部品、および参照番号（例 ①）で表示する部品は、キットに付属する取り付け部品および組み立て部品を示します。

参照アルファベット（Es. (A)）で表示する部品は、車両に付属するオリジナル部品を示します。

右または左という表記は、すべて車両の進行方向に向かっての左右を意味します。

一般警告事項

**警告**

以下のページに記載されている作業は、専門の技術者、またはドゥカティ正規サービスセンターが実施しなければなりません。

**警告**

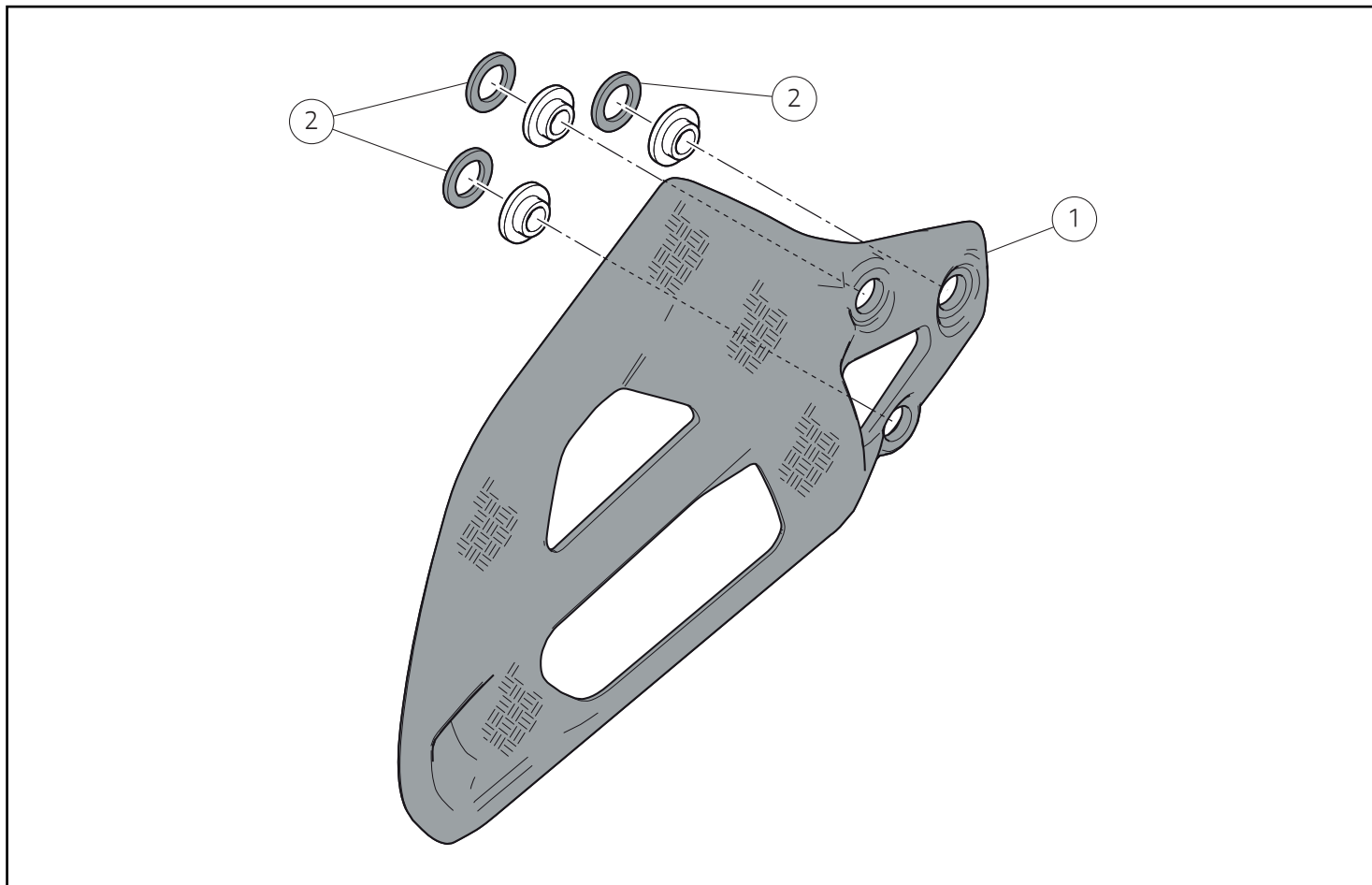
以下のページに記載されている作業が規定通りに実施されない場合、ライダーの安全性を脅かすおそれがあります。

**参考**

キットの取り付けに必要な資料は、お手持ちの車両モデルに対応するワークショップマニュアルです。

**参考**

キットの部品を交換する必要がある場合は、添付のスペアパーツ表を参照してください。



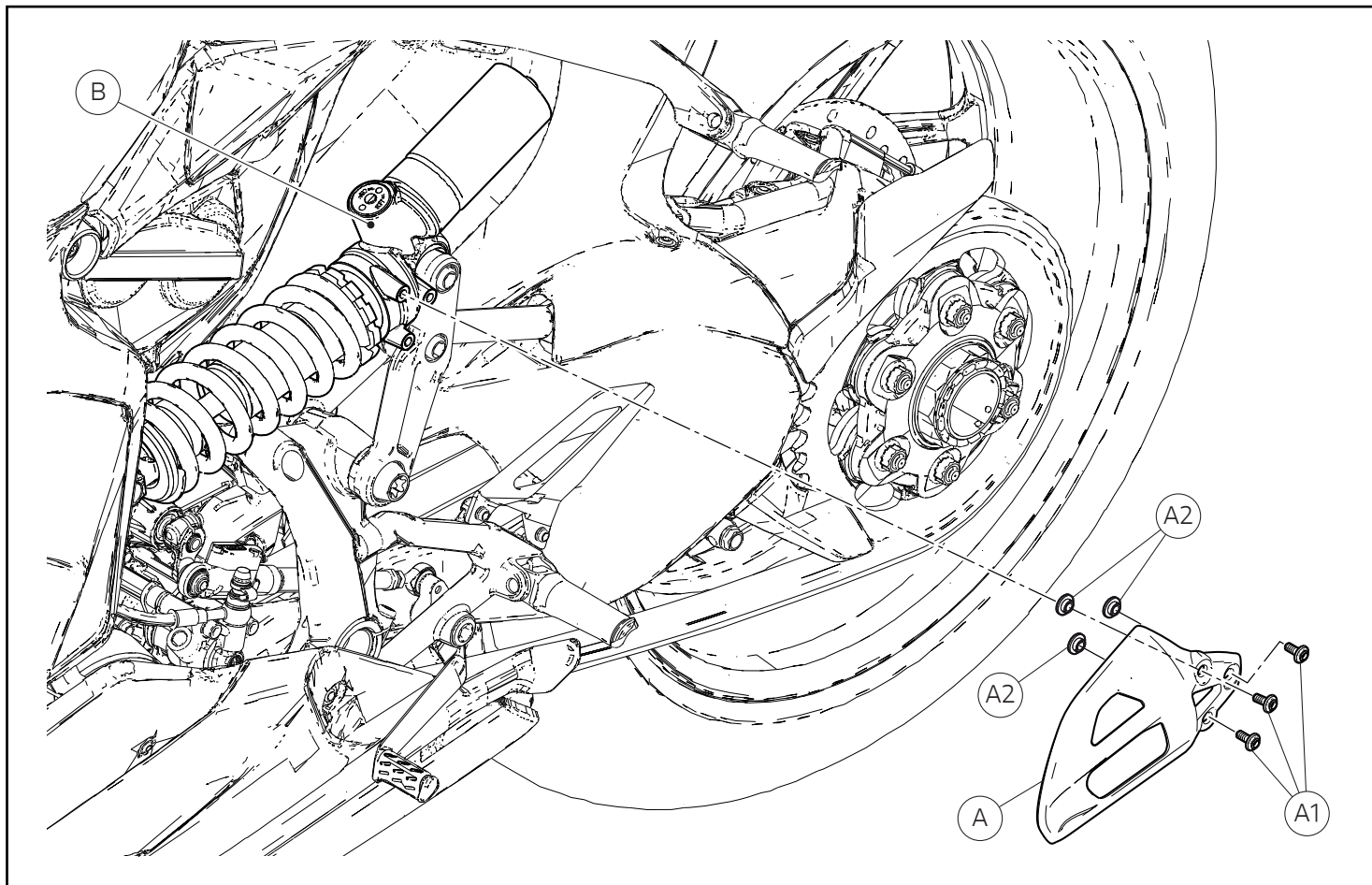
● Importante

Es posible que los componentes del kit sean actualizados; consultar el DCS (Dealer Communication System) para tener información siempre al día.

● 重要

キットの構成部品は更新されることがあります。DCS (Dealer Communication System) から常に最新の情報をチェックするようにしてください。

Pos.	Denominación	名称
1	Cover de carbono	カーボン製カバー
2	Arandela	ワッシャー



Desmontaje componentes originales

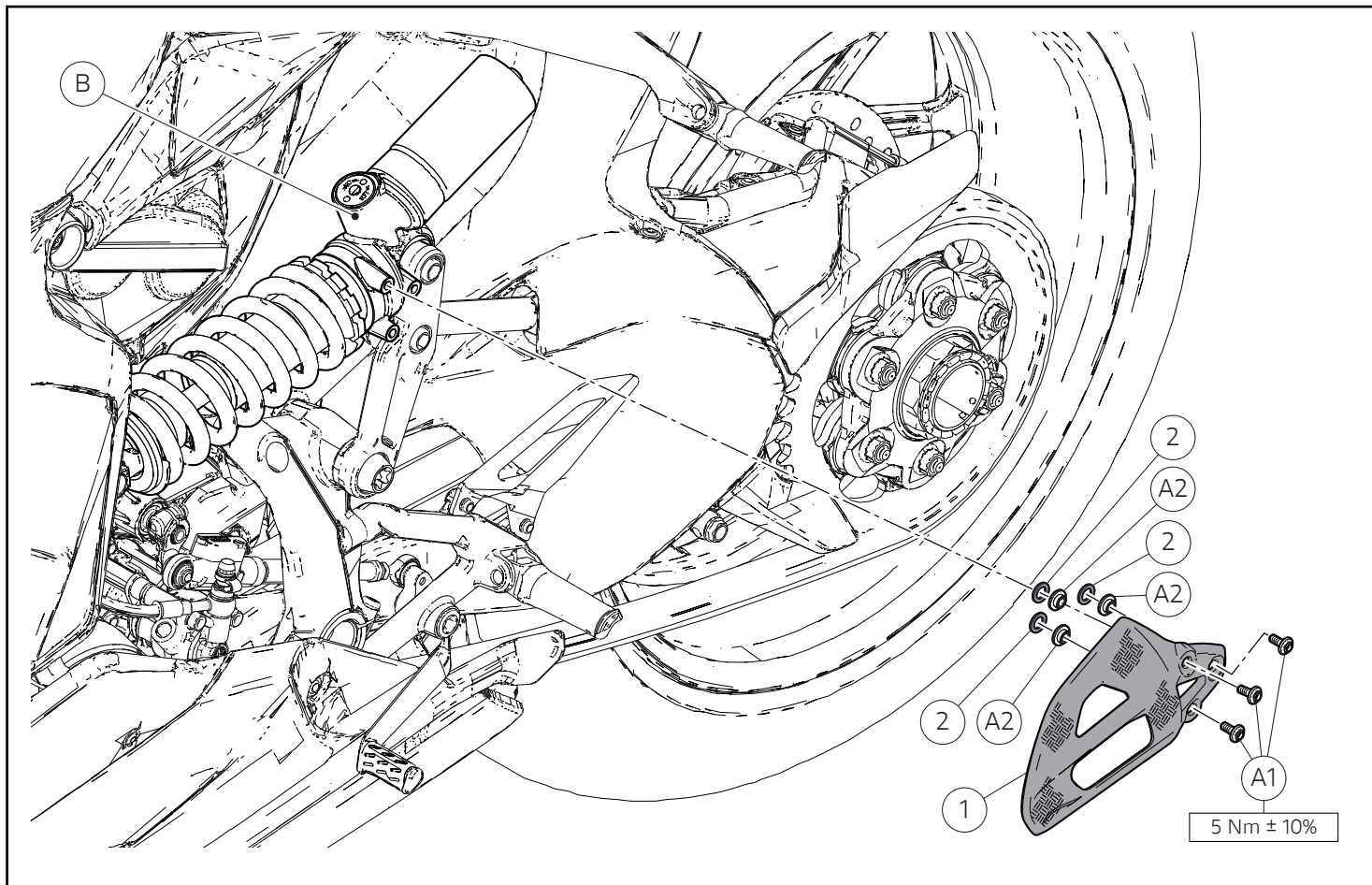
Desmontaje cover original

Desatornillar y quitar los 3 tornillos (A1). Quitar el cover (A) del amortiguador trasero (B). Quitar los 3 separadores con collar (A2) del cover original (A) y conservarlos junto con los 3 tornillos (A1).

オリジナル構成部品の取り外し

オリジナルカバーの取り外し

3本のスクリュー (A1) を緩めて取り外します。リアショックアブソーバー (B) からカバー (A) を取り外します。オリジナルのカバー (A) から 3 個のカラー付きスペーサー (A2) を取り外し、3本のスクリュー (A1) と一緒に保管しておきます。



Montaje componentes kit

● Importante

Antes del montaje, comprobar que todos los componentes se encuentren limpios y en perfecto estado. Adoptar todas las precauciones necesarias para evitar dañar cualquier parte en la que se debe operar.

⚠ Atención

Durante el montaje de componentes de carbono es necesario prestar especial atención al ajuste de los tornillos de fijación. Ajustar los elementos de fijación sin forzar demasiado para evitar dañar el carbono.

Montaje cover de carbono

Introducir los 3 separadores originales (A2) en los orificios desde la parte interior del cover amortiguador trasero de carbono (1). Aplicar LOCTITE 243 en la rosca de los 3 tornillos originales (A1). Colocar el cover (1) en el amortiguador trasero (B) introduciendo las 3 arandelas (2) entre los separadores (A2) y el amortiguador (B). Introducir los 3 tornillos originales (A1). Ajustar los 3 tornillos (A1) al par de apriete indicado.

キット部品の取り付け

● 重要

取り付けの前に全ての部品に汚れがなく、完璧な状態であることを確認してください。作業する部分が破損しないように、必要なすべての予防措置を講じてください。

⚠ 警告

カーボン製部品の取り付け作業中は、固定スクリューの締め付けには特に注意してください。カーボンが破損しないよう、固定部品の締め付けには必要以上の力をかけないようにしてください。

カーボン製カバーの取り付け

3 個のオリジナルスペーサー (A2) をカーボンファイバー製リアショックアブソーバーカバー (1) の穴に内側から挿入します。3 本のオリジナルスクリュー (A1) のネジ山に LOCTITE 243 を塗布します。スペーサー (A2) とショックアブソーバー (B) の間に 3 個のワッシャー (2) を挿入し、カバー (1) をリアショックアブソーバー (B) に配置します。3 本のオリジナルスクリュー (A1) を差し込みます。3 本のスクリュー (A1) を規定のトルクで締め付けます。

レース専用部品 ご注文書

ご注文商品

1	P/N	商品名
2	P/N	商品名
3	P/N	商品名
4	P/N	商品名
5	P/N	商品名

お客様ご記入欄

私は上記レース専用部品を下記車両に装着し、サーキット走行のみに利用し、一般公道には利用しません。

車台番号 ZDM	モデル名
お客様署名	ご注文日

ドウカティ正規ネットワーク店記入欄

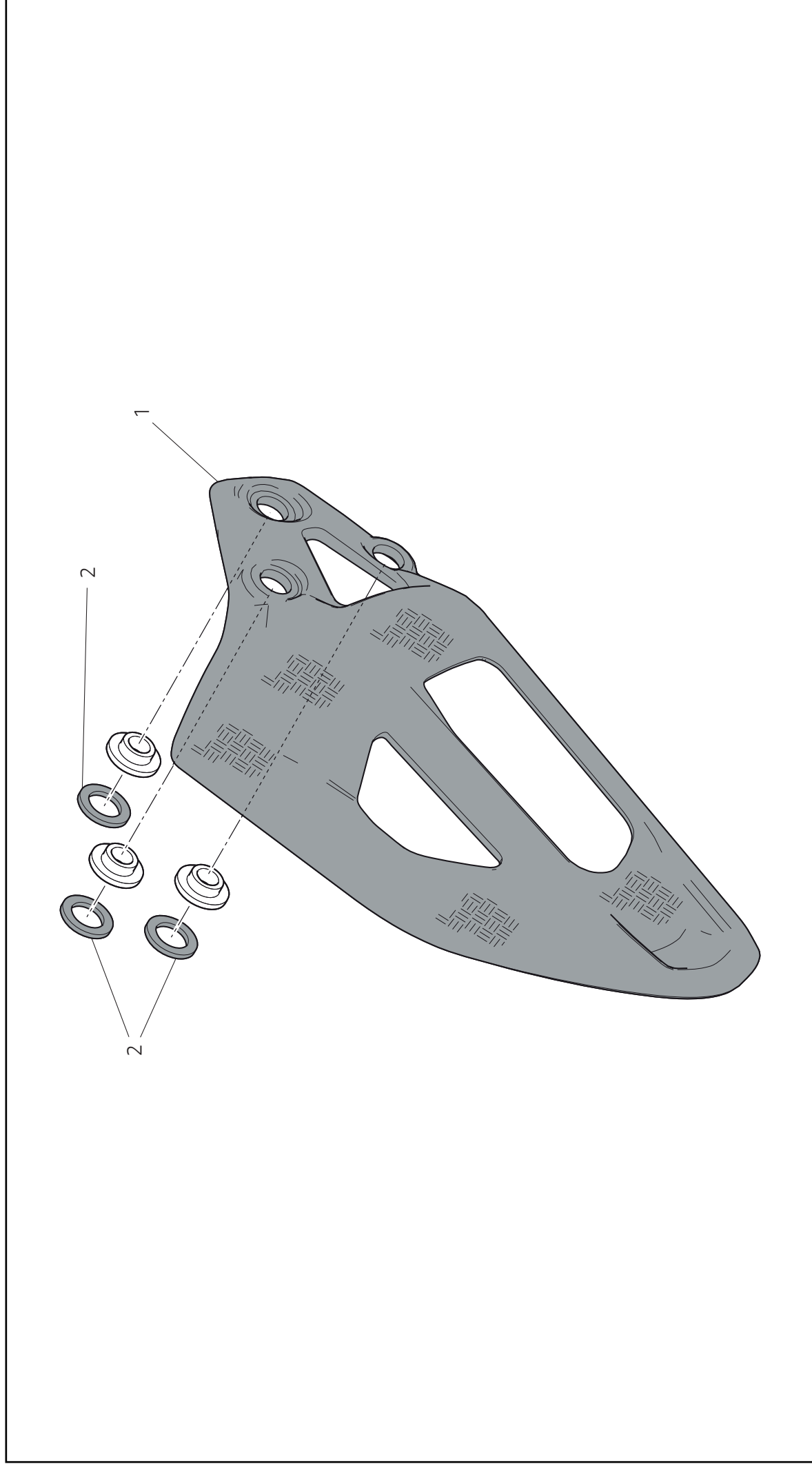
お客様に上記レース専用部品を販売し、レース専用部品のご利用方法を説明いたしました。

販売店署名	販売日	年	月	日
-------	-----	---	---	---

販売店様へお願い

- 上記ご記入の上、弊社アフターセールス部までFAXしてください。FAX : 03 - 6692 - 1317
- 取り付け車両 1台に 1枚でご使用ください。

Kit cover in carbonio per ammortizzatore posteriore / Carbon cover for rear shock absorber kit / Kit cache en carbone pour amortisseur arrière / Kit Abdeckung aus Kohlefaser für hinteres Federbein / Conjunto cobertura em carbono para amortecedor traseiro / Kit cover de carbono para amortiguador trasero / リアショックアブソーバー用カーボンファイバー製カバーキット - 96450711B



Pos.	Art.-Nr.	Denominazione	Name	Dénomination	Bezeichnung	Denominação	Denominación	名称	Q.ty
1	96450711B	Cover in carbonio	Carbon cover	Cache en carbone	Cover aus Kohlefaser	Cobertura em carbono	Cover de carbono	カーボン製カバー	1
2	85240131A	Rosetta	Washer	Rondelle	Unterlegscheibe	Arruela	Arandela	ワシヤー	3