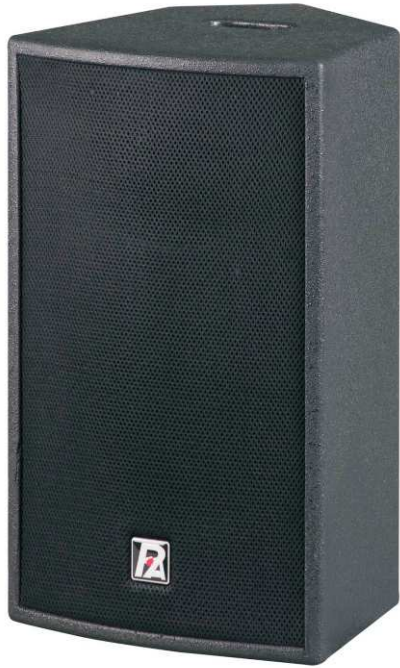


XE-10 TWO WAY PASSIVE FULL RANGE



APPLICATIONS

- Portable Sound Reinforcement
- Foreground and Background Music Applications

FEATURES

- 10 Inch woofer with paper cone for high sound quality
- True 1" compression driver for high system reliability and high intelligibility.
- Angled Cabinet Design for Monitor Applications
- 'Top Hat' style stand adaptor for flexible mounting.

The P.Audio XE-10 provides a cost effective background and foreground sound reinforcement solution to both portable and fixed install applications. The 10" woofer provides high intelligibility and extended low frequency response in a convenient, small profile design. The XE-10 is ideal for background music applications in pubs, bars, restaurants and retail outlets, as well as foreground full range music systems. The 1" true compression driver in the XE-10 features very high reliability, and is coupled to a 90 x 65 degree elliptical wave guide for controlled and detailed high frequency performance.

The passive network in XE-10 balances the output from both transducer components and provides optimal summing in the mid band region. The power handling is rated at 150 watts continuous with a peak input power of 600 watts.

Cabinet construction is so finished with high quality wood internally supports for extra rigidity, and is finished with high quality black paint. The XE-10 is a high performance design with superior vocal intelligibility from the high quality P.Audio components.

XE SERIES

WWW.PAUDIOTHAILAND.COM



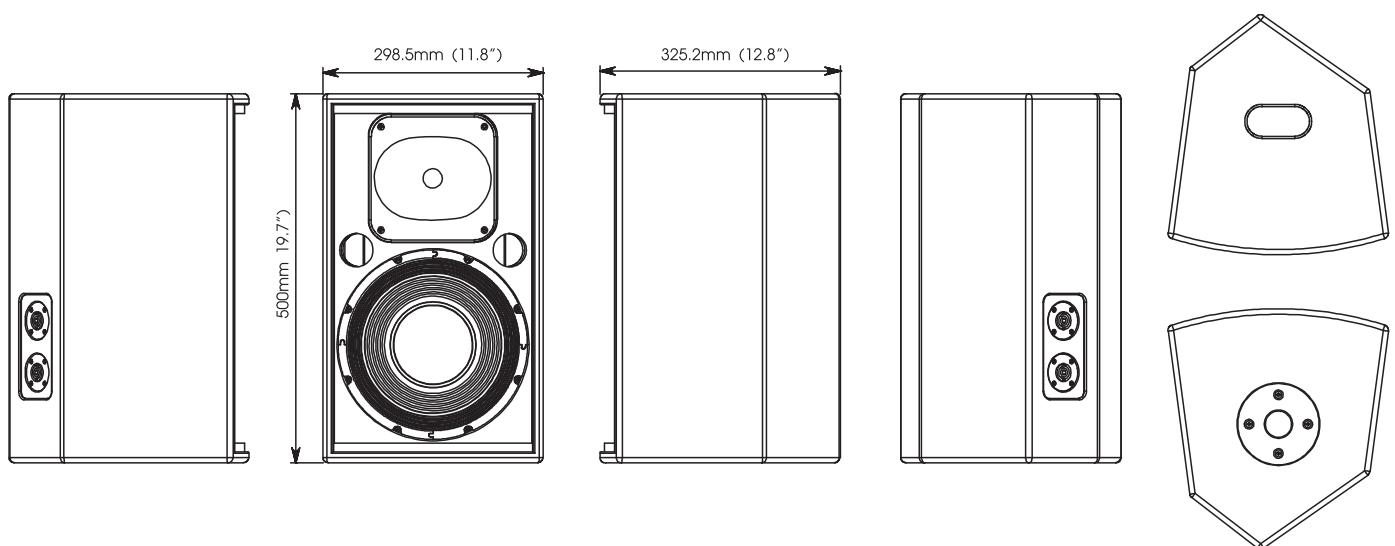
XE-10 TWO WAY PASSIVE FULL RANGE



SPECIFICATIONS

Frequency Response (-10dB)	65Hz - 20kHz
Sensitivity (1w/1m)	91dB
Maximum Peak SPL	119dB
Dispersion(H x V)	90° x 65°
LF Components	10" Woofer
HF Components	1" Compression Driver
Input Impedance	8 Ohms
Connections	2 X Speakon Connectors
Power Handling	150w Continuous 300w Program 600w Peak
Net Weight	11 kg / 24.3 lbs
Dimensions (HxWxD)	500 x 298.5 x 325.2 (mm) 19.7 x 11.8 x 12.8 (in)

DIMENSIONS



XE SERIES

WWW.PAUDIOTHAILAND.COM

