



Horn And Driver Adaptors

PC-35



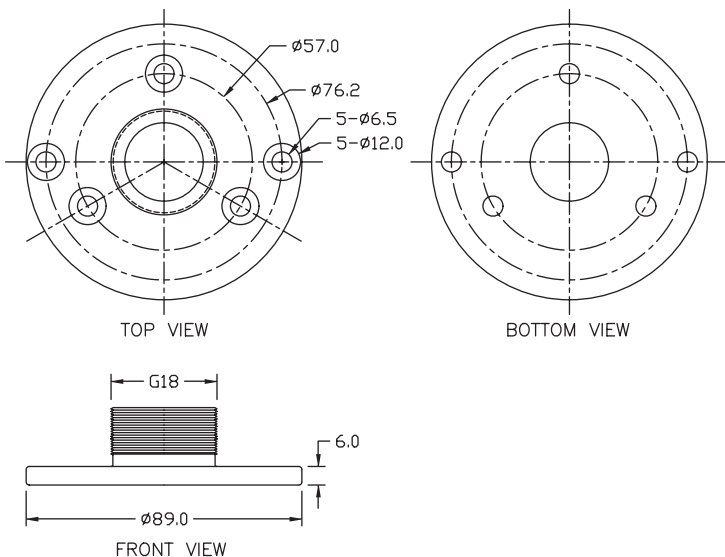
Applications

PC-35

The PC-35 is designed to allow compression drivers with 1 inch (25.4mm) bolt on style exit diameters to be used with horns that feature standard 1 inch (25.4mm) thread on style throats. This adaptor converts 1 inch bolt on drivers to 1 inch screw on style.

Specifications

Overall Dimension	: 89 x 25	mm.
Material	: Aluminium	
Net Weight	: 0.10 kg	(0.22 lbs.)
Shipping Weight	: 0.13 kg	(0.28 lbs.)
Packing Dimension	: 95 x 95 x 35	mm.



19/4 Moo 2 T.Bangkratuk A. Samparn Nakornpathom 73210 Thailand
Tel: +66-2-441-6600 Auto 30 Lines
e-mail: info@paudiothailand.com
Web site: www.paudiothailand.com
All rights reserved by P.Audio System Co., Ltd. 2007

