



Horn And Driver Adaptors PC-3525S

Applications

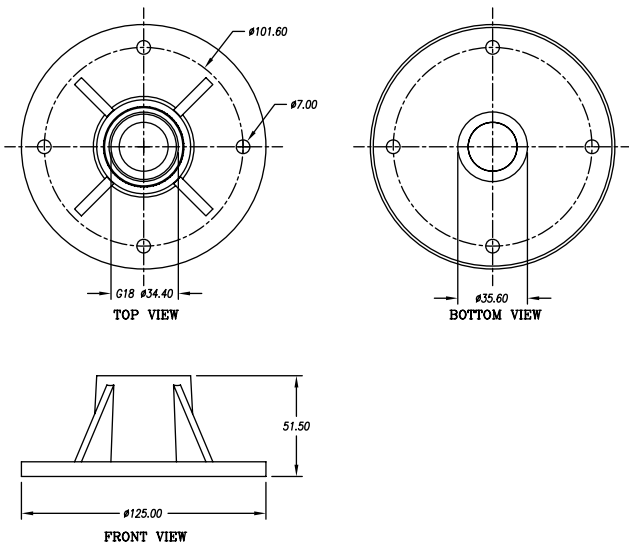
PC-3525S

The PC-3525S is designed to mate 1 inch (25.4mm) exit diameter screw on style compression drivers to high frequency horns with a standard 1.4 inch (35.5mm) bolt on throat.



Specifications

Overall Dimension	: 125 x 51.5	mm
Material	: Plastic	
Net Weight	: 0.2 kg	(0.44 lbs)
Shipping Weight	: 0.23 kg	(0.51 lbs)
Packing Dimension	: 130 x 130 x 60	mm



19/4 Moo 2 T.Bangkratuk A. Samparn Nakornpathom 73210 Thailand
Tel: +66-2-441-6600 Auto 30 Lines
e-mail: info@paudiothailand.com
Web site: www.paudiothailand.com
All rights reserved by P.Audio System Co., Ltd. 2007

