

IntelliStage
Portable Stage System
by Road Ready



IntelliStage

Portable Stage System

by Road Ready

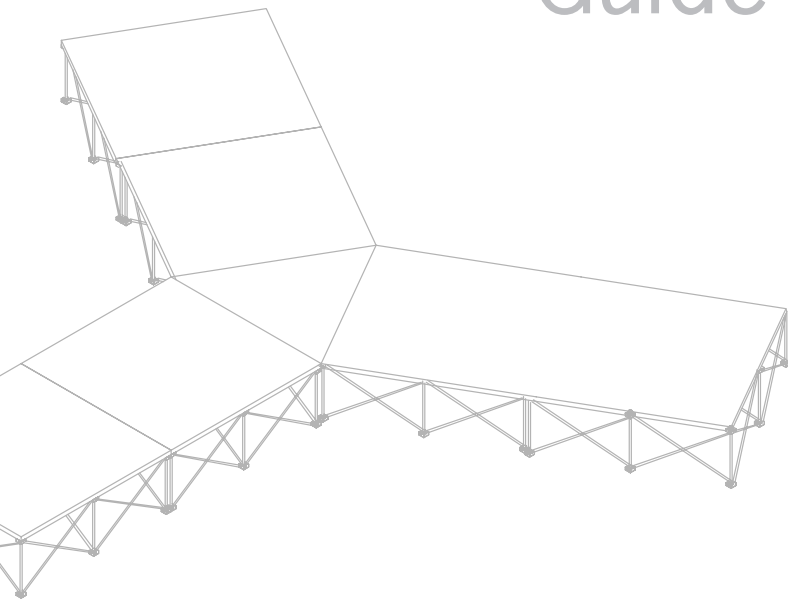
About Intellistage

Perfect for schools, Houses of Worship, hotels, event organizers and more, **IntelliStage** Portable Stage Systems are the ultimate in portability and convenience. Consisting of modular, lightweight platforms and risers that can be combined to create customized stages in various heights and configurations. Easily assembled by a single person, each platform and riser are fastened together using our unique internal locking system and each platform can bear weight up to 185 lbs./sq. ft. (900 KGS/sq. meter).

When it's time to break down, you'll find that disassembly and storage are equally convenient. **IntelliStage** systems are available in kits that include a compact storage flight case with integrated casters that will transport your stage just about anywhere.

Optional upgrade accessories like storage carts for larger systems and stage skirts are also available. Go on, feel free to take the stage.

Resource Guide



Contents

Introduction	2
About IntelliStage	2
Features	3
Specifications	3
Storage	3
Meet the Components	4
Assembly 101	5
Securing Platforms	6
Securing Steps or Different Sized Risers	7
Stage Riser Coupling	8
Typical Stage Configurations	9
U.S. Sizes and Configurations	10
Limited 2 Year Warranty	10
U.S. Component Compatibility Matrix	11
U.S. Package Compatibility Matrix	12
U.S. Stage System Package Diagrams	13
U.S. Stage System Package Dimensions	13
U.S. Shipping Weight and Volume Chart	14
U.S. UPC Codes	15
European Sizes and Configurations	16
European Component Compatibility Matrix	17
European Package Compatibility Matrix	18
European Stage System Package Diagrams	19
European Shipping Weight and Volume Chart	20
European UPC Codes	21
Intellistage Image Library	22
Key Contacts	23

Features:

Platforms:

- Lightweight and compact for easy setup, transport and storage
- Durable grey carpet or DuraFlex finish
- Multiple layer platform construction featuring honeycomb structure with a weight capacity of up to 185 lbs./sq. ft (900 kg/sq. meter)
- Convenient cable and electrical ports on square and rectangular platforms
- Integrated platform interlocking system
- Metal reinforced corners

Risers:

- Universal, collapsible lightweight risers available in standard height configurations.

Specifications:

Since we are continually improving and refining products, specifications are subject to change without notice.

Platforms:

- Finish: • Grey carpet
• Duraflex
- Materials: • Multiple layer sandwich construction
• Top: 9 mm high density plywood
• Middle: 7.5 mm honeycomb
• Bottom: 4 mm high-density plywood
• Aluminum profile on all sides with integrated platform interlocking system
- Sizes: See page 10 (U.S.) and 12 (European)

Risers:

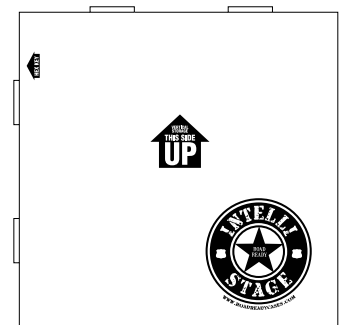
- Finish: • Brushed aluminum
- Materials: • Aluminum
• Copper
• ABS Plastic
- Dimensions (height): See page 10 (U.S.) and 12 (European)

Weight Capacity: 185 lbs per sq. foot/900kg per square meter

Storage:

When storing your stage system, be sure to heed the arrows on the bottom of the platforms. This is to ensure that the panel interlocking devices are not damaged.

Recommended platform storage position



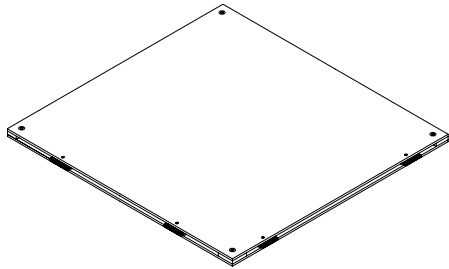
Important Safety Instructions:



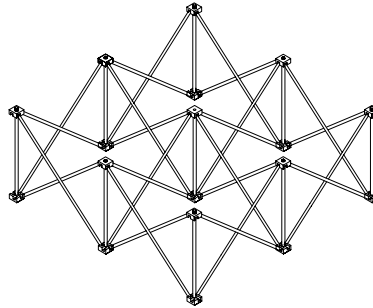
- 1.) Read and follow these instructions
- 2.) Do not exceed the maximum weight capacity
- 3.) Do not vertically couple more than 2 risers
- 4.) Completely secure all fasteners
- 5.) Assemble and use on flat surface only

Meet the Components:

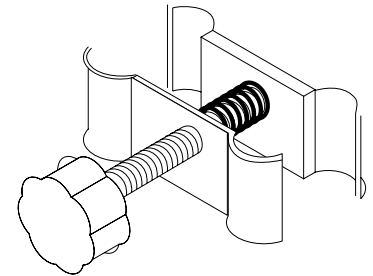
Putting together your **IntelliStage** system was designed to be simple enough for anyone to do easily. Consequently, the number of components you will encounter in the assembly process are limited. Nonetheless, let's take a moment for a little meet and greet...



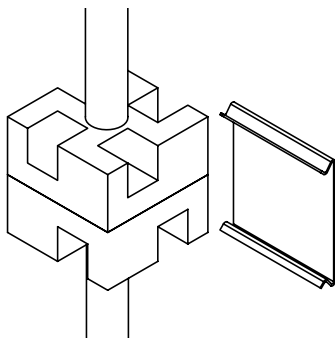
A.) Platform



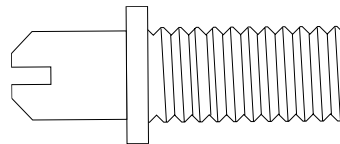
B.) Riser



C.) Riser Clamp



D.) Riser Coupler



E.) Coupling Post



F.) Hex Key

A.) Platform

Durable, modular stage surface - supports up to 185 lbs./sq. ft. (900kg/sq. meter).

B.) Riser

Supports platform surface - available in 8", 16", 24" and 32" (20, 30, 40 & 60 cm.) heights.

C.) Riser Clamp

Provides support in situations where you would like to secure risers of different heights. Device is also used to secure steps to each other, as well as to risers.

D.) Riser Coupler

Allows you to extend the height of your platform by coupling a pair of existing risers. **Caution: For safety reasons, do not couple more than 2 levels of risers.**

E.) Coupling Post

Used when coupling one riser on top of another for added height. Adds additional support and stability.

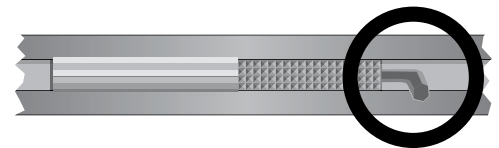
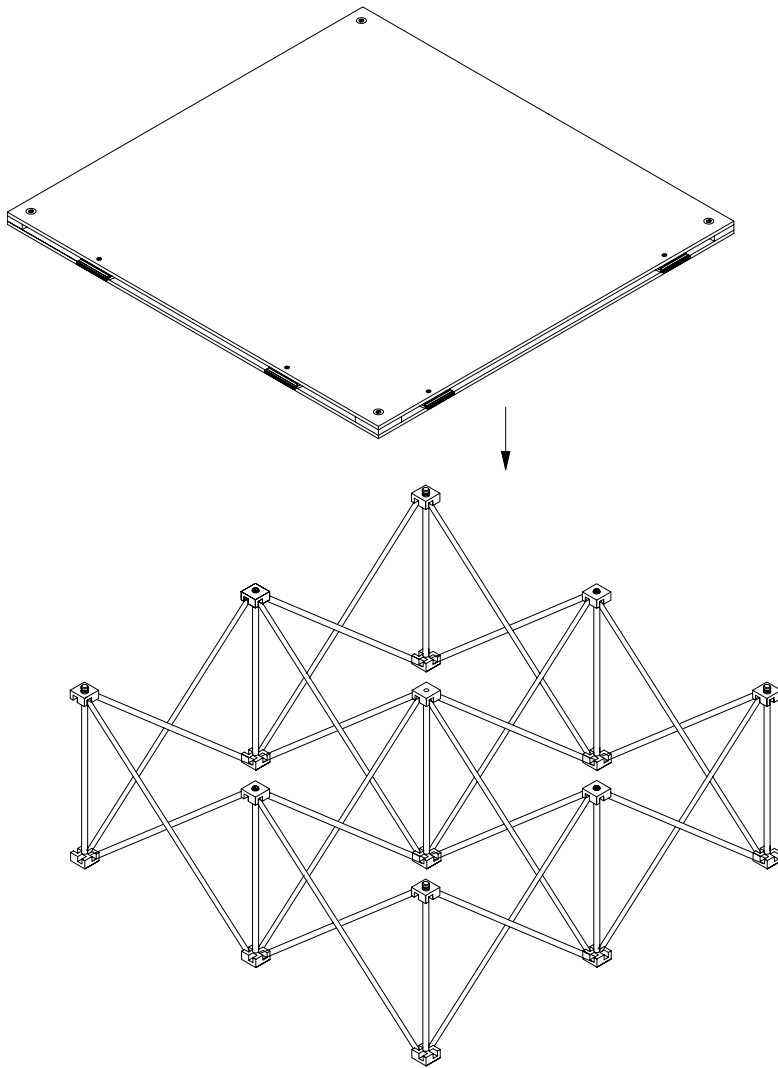
F.) Hex Key

Probably the only tool other than a screwdriver you'll need to put your stage system together.

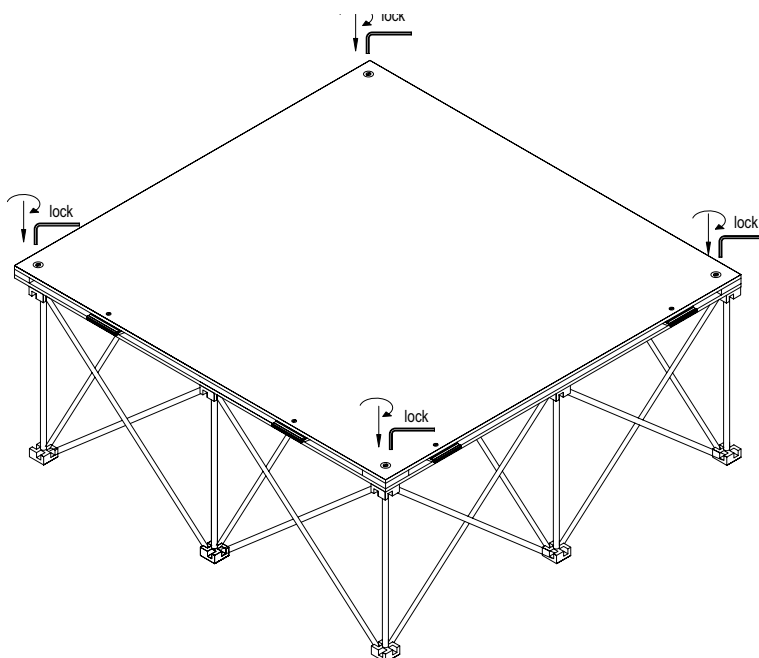
Assembly 101

Getting your stage system up and running has never been easier than this. You are literally minutes away from having a sturdy, professional presentation platform.

- Unpack your platform and risers.
- Expand riser completely
- Align corner locking posts on riser with corner holes on platform
- Lock platform to riser by turning the locking screws clockwise with the included hex key until tightly secured.
- To assemble steps, follow the same procedure.



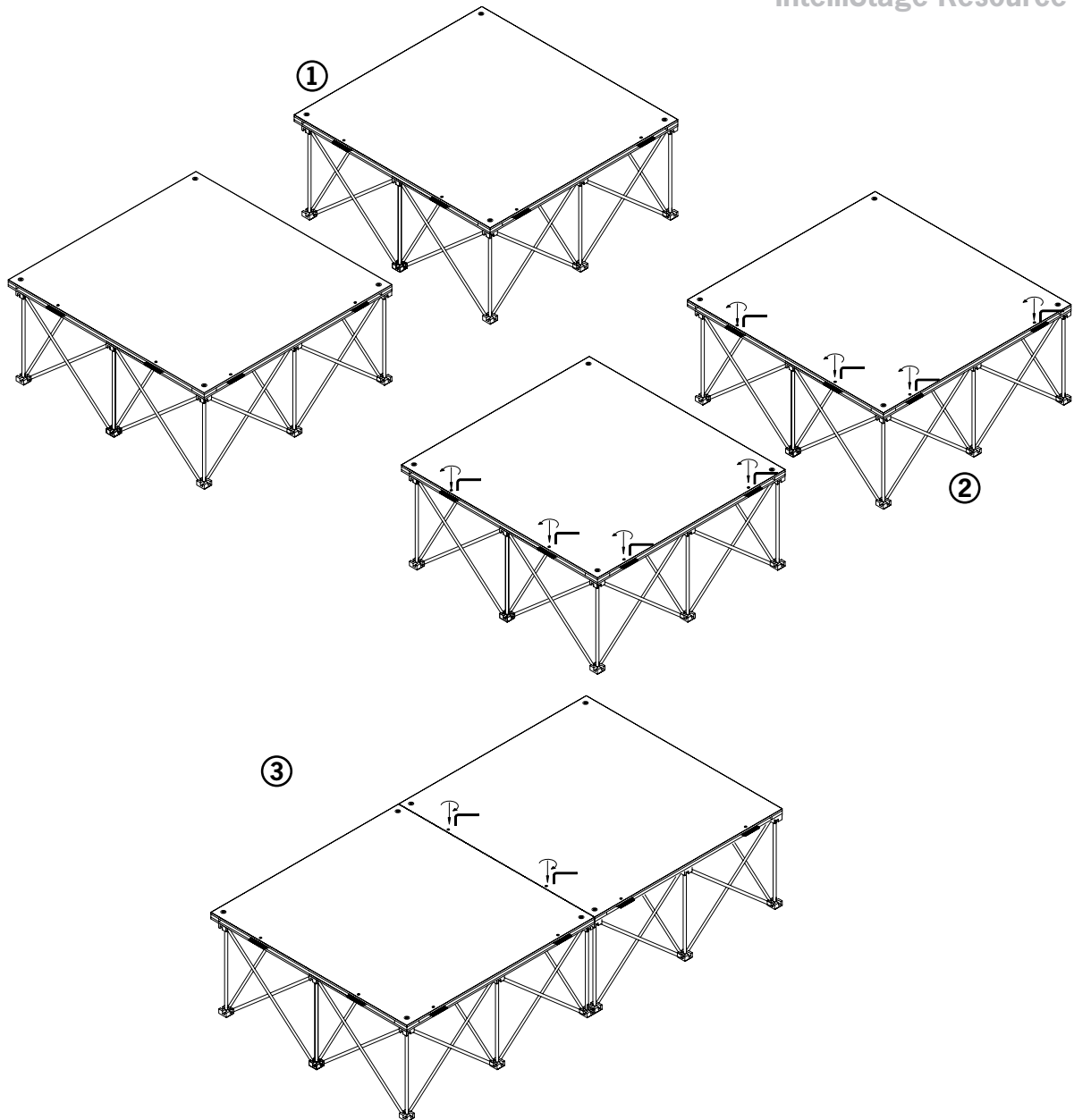
Note: You'll find your hex key in the foam key holder in the groove next to the platform locking mechanism indicated by the arrow on the bottom of the platform.



What You'll Need:



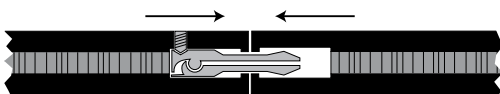
Hex Key



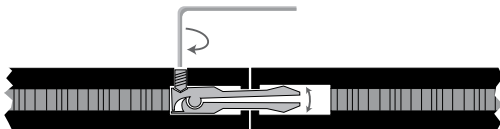
A Close-Up Look:



A.) Align Platforms



B.) Insert male locking mechanism

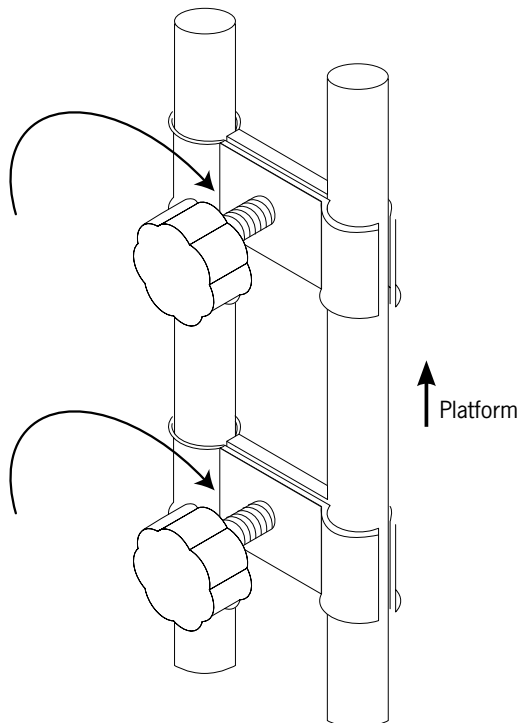
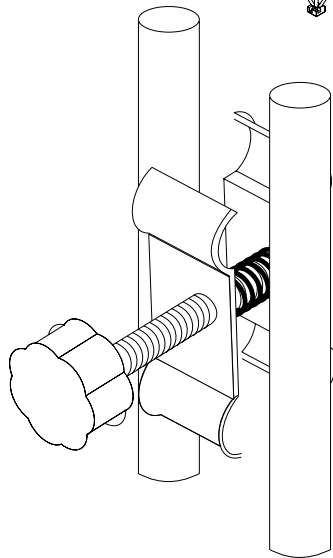
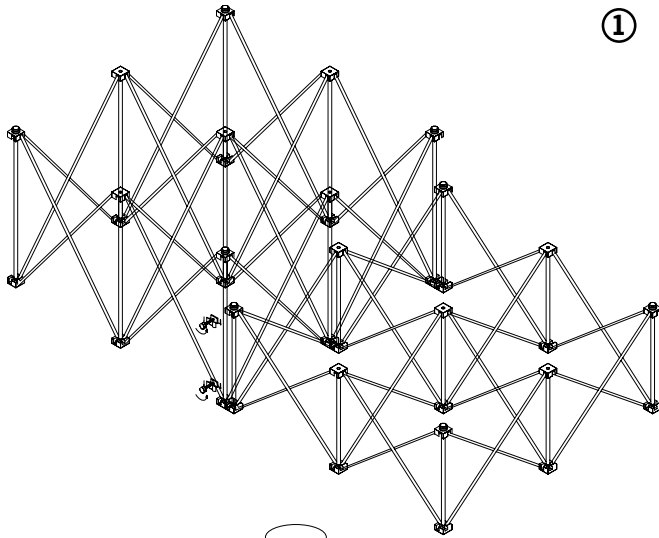


C.) Rotate locking screw clockwise

Securing Platforms

IntelliStage systems feature a unique, easy to use platform interlocking system that ensures a safe, level performance surface.

- 1.) Expand risers completely and attach platforms as described in **Assembly 101**
- 2.) Make sure that the platform interlocking devices are in the closed position
- 3.) Insert male locking mechanism into groove on opposite platform and rotate locking screw clockwise. Repeat until your stage system is complete.

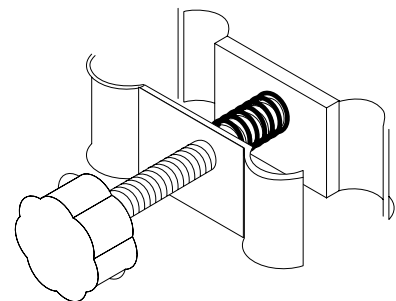


Securing Steps or Risers of Different Heights

When designing a custom stage configuration, you may encounter situations where you would like to use risers of different heights. Because the platform interlocking mechanism will not work in this scenario, we've designed an alternate method that provides the same level of security. This is the same procedure that you would use when securing steps both to each other and to the stage risers.

- 1.) Expand and align risers. Mount stage platforms as described in **Assembly 101**.
- 2.) If necessary, loosen clamp by turning knob counter-clockwise. Insert clamp between riser and rotate entire clamp in either direction until aligned properly (see figure 3).
- 3.) Secure riser clamps – 2 clamps per corner – by turning knob clockwise.

What You'll Need:



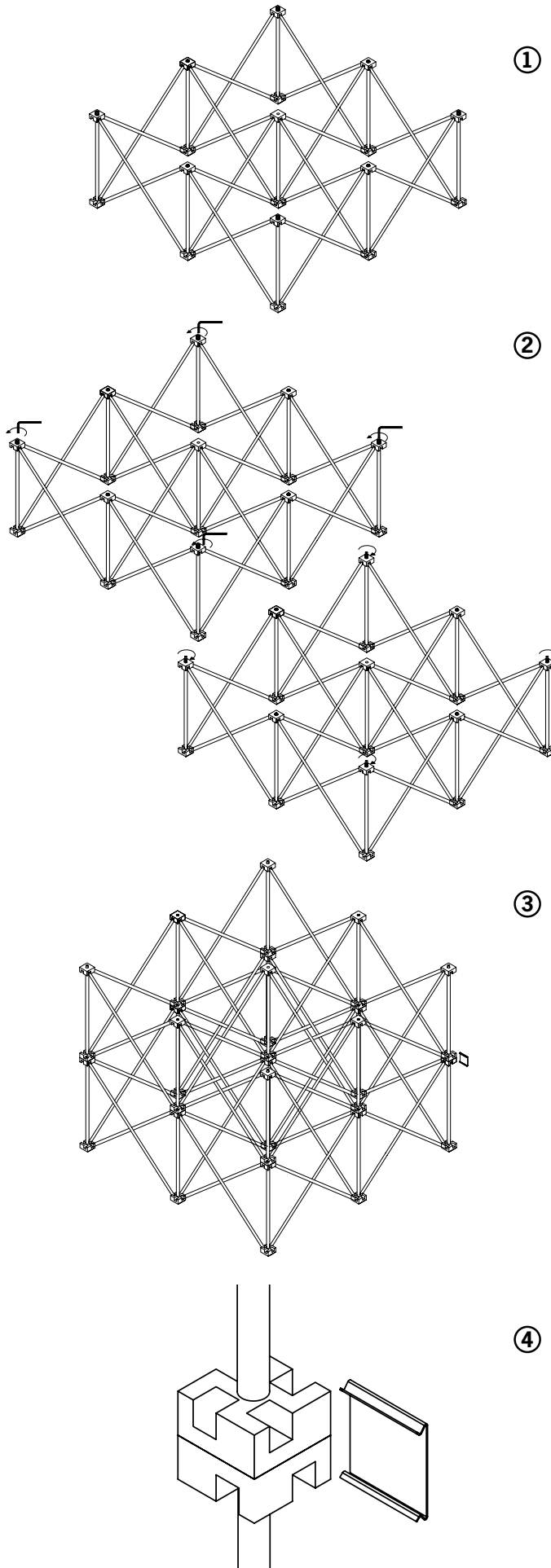
Riser Clamp

Stage Riser Coupling

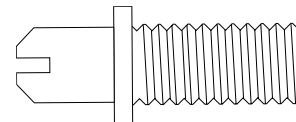
Coupling together two risers allows you to extend the height of your platforms **Caution: For safety reasons, do not couple more than 2 levels of risers.**

- 1.) Expand both risers completely
- 2.) On bottom riser, remove corner locking posts and replace with bronze coupling posts.
- 3.) Align coupling posts with holes on bottom of top riser feet.
- 4.) Secure silver stabilizing brackets as illustrated in Figure 4.

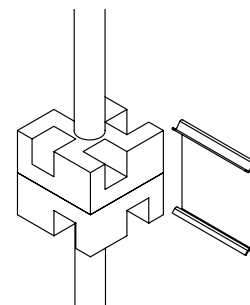
Mount stage platform as described in **Assembly 101**.



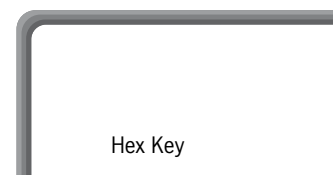
What You'll Need:



Coupling Post



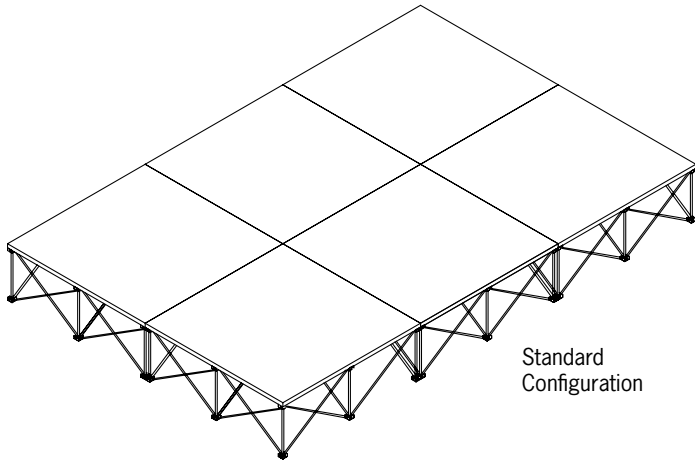
Riser Coupler



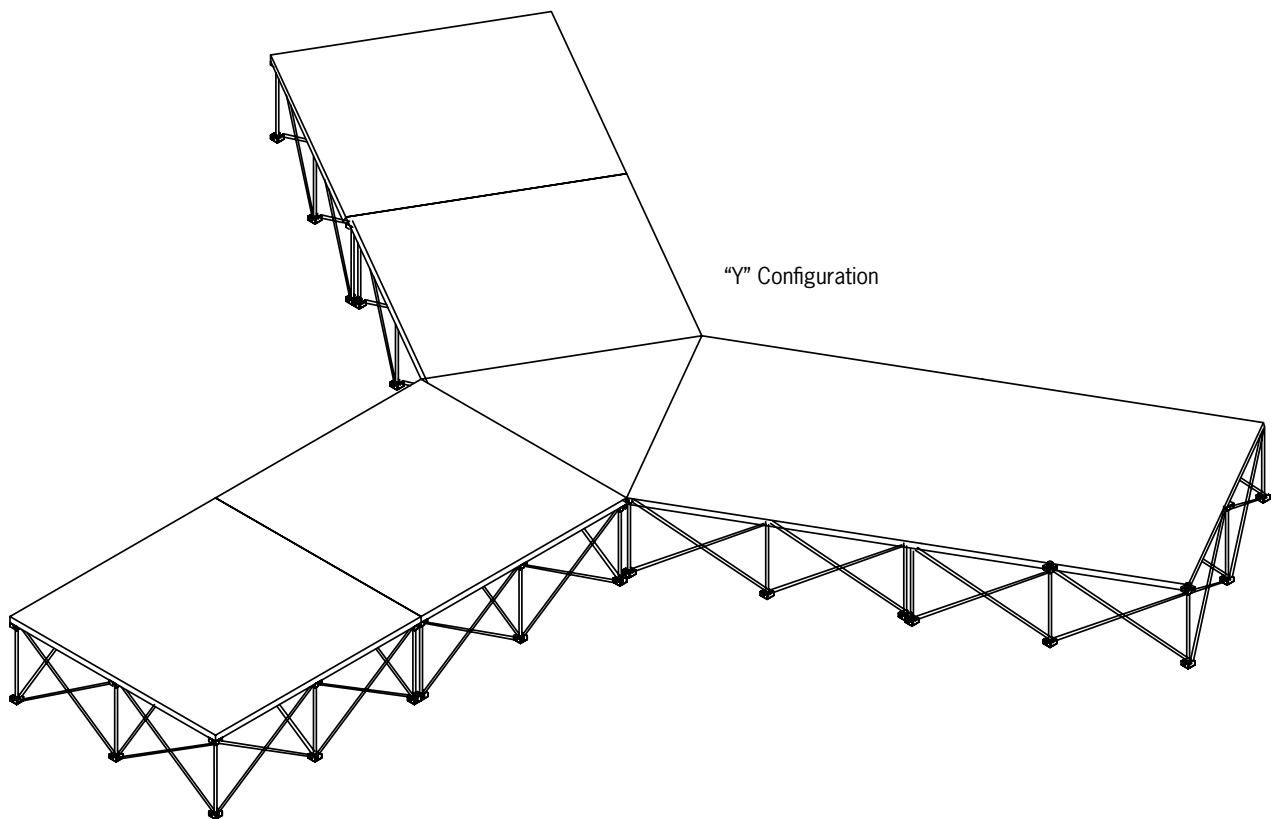
Hex Key

Typical Stage Configurations

With your **IntelliStage** system, the configuration possibilities are endless – your boundaries are only safety limitations and your imagination. In addition to these typical stage setups, you can create nearly any shape you can think of, including multiple levels and more!

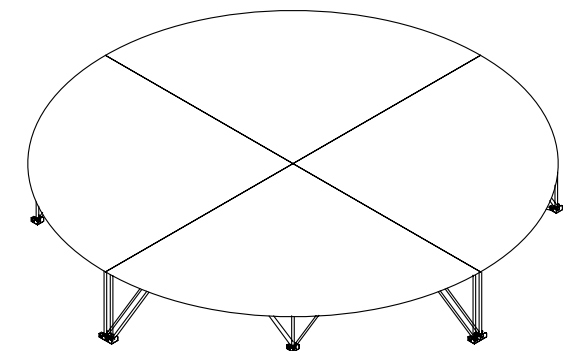
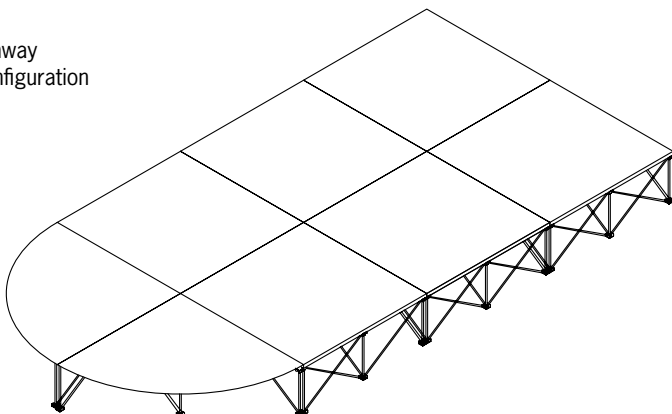


Standard Configuration



"Y" Configuration

Runway Configuration



Round Configuration

Sizes & Configurations (U.S.)

Platforms

Square Platforms

ISP4X4CD	4' X 4' Carpet Finished Platforms (2 pcs per master pack)
ISP3X3CD	3' X 3' Carpet Finished Platforms (2 pcs per master pack)
ISP4X4DD	4' X 4' Duraflex Finished Platforms (2 pcs per master pack)
ISP3X3DD	3' X 3' Duraflex Finished Platforms (2 pcs per master pack)

Triangle Platforms

ISTPC4	4' Carpeted Triangle Platform
ISTPC3	3' Carpeted Triangle Platform
ISTPD4	4' Duraflex Triangle Platform
ISTPD3	3' Duraflex Triangle Platform

Quarter Round Platforms

ISQRPC4	4' Carpeted Quarter Round Platform
ISQRPC3	3' Carpeted Quarter Round Platform
ISQRPD4	4' Duraflex Quarter Round Platform
ISQRPD3	3' Duraflex Quarter Round Platform

Step Platform

ISSTEPC	3' x 1' Carpeted Step Platform
ISSTEPD	3' x 1' Duraflex Step Platform

Risers

Risers for 4' X 4' Platform

IS4X4X8	8" High Riser (must be bottom riser in a multi-riser stack)
IS4X4X16	16" High Riser
IS4X4X24	24" High Riser
IS4X4X32	32" High Riser

Risers for 3' X 3' Platform

IS3X3X8	8" High Riser (must be bottom riser in a multi-riser stack)
IS3X3X16	16" High Riser
IS3X3X24	24" High Riser
IS3X3X32	32" High Riser

Risers for 4' Triangle Platform

IST4X8	8" High Riser (must be bottom riser in a multi-riser stack)
IST4X16	16" High Riser
IST4X24	24" High Riser
IST4X32	32" High Riser

Risers for 3' Triangle Platform

IST3X8	8" High Riser (must be bottom riser in a multi-riser stack)
IST3X16	16" High Riser
IST3X24	24" High Riser
IST3X32	32" High Riser

Risers for 4' Quarter Round Platform

ISQR4X8	8" High Riser (must be bottom riser in a multi-riser stack)
ISQR4X16	16" High Riser
ISQR4X24	24" High Riser
ISQR4X32	32" High Riser

Risers for 3' Quarter Round Platform

ISQR3X8	8" High Riser (must be bottom riser in a multi-riser stack)
ISQR3X16	16" High Riser
ISQR3X24	24" High Riser
ISQR3X32	32" High Riser

Risers for Step Platform

ISSTEP8	8" High Riser (must be bottom riser in a multi-riser stack)
ISSTEP16	16" High Riser
ISSTEP24	24" High Riser

Flight Cases

ISC6X4X4C	Flight Case for 6 pcs. of 4' X 4' platforms with matching risers & front access door
ISC6X3X3C	Flight Case for 6 pcs. of 3' X 3' platforms with matching risers

Skirts for Stage Systems

ISSK4X8	4' wide, 8" long Black Skirt
ISSK4X16	4' wide, 16" long Black Skirt
ISSK4X24	4' wide, 24" long Black Skirt
ISSK4X32	4' wide, 32" long Black Skirt

Drum Risers

ISDRUM6X6	6' X 6', 6" High Drummer's Platform Includes: 4 pcs. of 3' x 3' carpeted platforms (ISP3X3CD) 20 pcs. of 6" legs (2 packs of IS6LEGX10)
-----------	---

Accessories

ISSJ	4 pack of Connecting Hardware for various heights of stages & steps
ISREK	4 pack of Riser Extension hardware (8" risers must be bottom riser in a multi-riser stack)
IS6LEGX10	10 pack of Drum Riser legs
ISRK	Replacement Parts Kit Includes: 4 Corner Locking Posts, 4 Coupling Posts, 4 Riser Feet, 16 Riser Pins, 4 Hex Keys and 4 Platform to Platform Locking Mechanisms

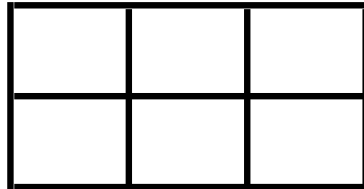
Limited 2 Year Warranty

Road Ready warrants to the original owner of each new IntelliStage product, for a period of 2 years from the date of purchase, (provided that is purchased at an Authorized Road Ready Dealer) that is free of defects in materials and workmanship and that each product meets or exceeds all factory published specifications. This warranty is void if the product has been tampered with or misused beyond reasonable wear, and shall not apply if the product has been physically damaged. Improper handling, set-up or use of this unit could cause it to fail which could lead to serious injury or death. Please be sure to read, understand and follow all operating instructions and weight load information in this manual before using this product. Do not allow children or untrained persons to use this product. There are no obligations of liability on the part of Road Ready for any personal injuries, death, consequential damage or any other indirect damages with respect to, loss of property, revenues, profit or costs of removals, installations or reinstallations arising out of, or in connection with, the use or performance of an IntelliStage product.

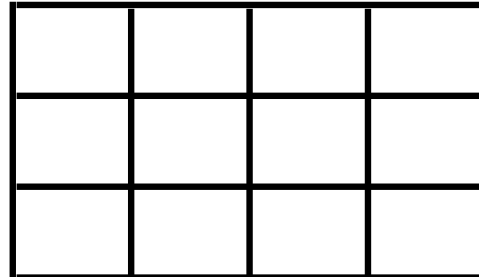
IntelliStage Component Compatibility Matrix	Square Platforms				Triangle Platforms				Quarter Round Platforms				Step Platforms		Accessories	
	Carpet	DuraFlex	Carpet	DuraFlex	Carpet	DuraFlex	Carpet	DuraFlex	Carpet	DuraFlex	Carpet	DuraFlex	Carpet	DuraFlex	ISSJ	ISREK
4X4 Risers																
IS4X4X8	X		X												X	X
IS4X4X16	X		X												X	X
IS4X4X24	X		X												X	X
IS4X4X32	X		X												X	X
3X3 Risers																
IS3X3X8		X		X											X	X
IS3X3X16		X		X											X	X
IS3X3X24		X		X											X	X
IS3X3X32		X		X											X	X
4' Triangle Risers																
IST4X8					X		X								X	X
IST4X16					X		X								X	X
IST4X24					X		X								X	X
IST4X32					X		X								X	X
3' Triangle Risers																
IST3X8					X		X								X	X
IST3X16					X		X								X	X
IST3X24					X		X								X	X
IST3X32					X		X								X	X
4' 1/4 Round Risers																
ISOR4X8							X		X						X	X
ISOR4X16							X		X						X	X
ISOR4X24							X		X						X	X
ISOR4X32							X		X						X	X
3' 1/4 Round Risers																
ISOR3X8							X		X						X	X
ISOR3X16							X		X						X	X
ISOR3X24							X		X						X	X
ISOR3X32							X		X						X	X
Step Risers																
ISSTEP8													X		X	X
ISSTEP16													X		X	X
ISSTEP24													X		X	X
Drum Riser Legs																
IS6LEG10		X		X												
Skirts																
ISSK4X8	X	X	X	X	X	X	X	X	X	X	X	X	X	X	X	X
ISSK4X16	X	X	X	X	X	X	X	X	X	X	X	X	X	X	X	X
ISSK4X24	X	X	X	X	X	X	X	X	X	X	X	X	X	X	X	X
ISSK4X32	X	X	X	X	X	X	X	X	X	X	X	X	X	X	X	X
Flight Cases																
ISC6X3X3C		X		X												
ISC6X4X4C	X		X		X											

IntelliStage Package Compatibility Matrix		Stages										Drum Risers		
		96 Square Foot Stage			192 Square Foot Stage				288 Square Foot Stage			36 sq. ft. Drum Riser		
4x4 Platforms (Quantities are master packs of 2)		ISTAGE1288	ISTAGE12816	ISTAGE12824	ISTAGE12832	ISTAGE12168	ISTAGE121616	ISTAGE121624	ISTAGE121632	ISTAGE12248	ISTAGE122416	ISTAGE122424	ISTAGE122432	ISDRUM6X6
ISP4X4CD	3	3	3	3	3	6	6	6	6	6	9	9	9	9
ISP4X4DD	3	3	3	3	3	6	6	6	6	6	9	9	9	9
3x3 Platforms (Quantities are master packs of 2)														2
ISP3X3CD														
ISP3X3DD														
4X4 Risers														
IS4X4X8	6					12				18				
IS4X4X16		6					12				18			
IS4X4X24			6					12				18		
IS4X4X32				6					12				18	
Drum Riser Feet														2
RR6LEGX10														
Add-on Options														
Step Platforms														
ISSTEPC		1	2	3		1	2	3		1	2	3		
Step Risers														
ISSTEP8		1	1	1	1	1	1	1	1	1	1	1	1	
ISSTEP16			1	1	1		1	1	1		1	1	1	
ISSTEP24				1	1			1	1			1	1	
ISSJ		1	2	3		1	2	3		1	2	3		
Skirts (Quantities listed cover stages from front, left side & right side only - please add skirts to cover rear of stage if desired)														
ISSK4X8	7					10				13				
ISSK4X16		7					10				13			6
ISSK4X24			7					10				12		
ISSK4X32				7					10				12	
ATA Flight Cases														
ISC6X3X3C														1
ISC6X4X4C	1	1	1	1	1	2	2	2	2	3	3	3	3	

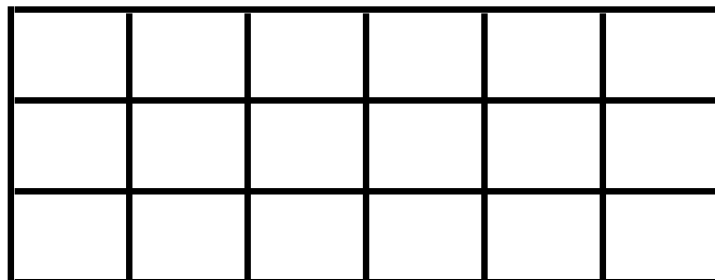
Suggested U.S. Stage System Package Diagrams



96 Square Foot Stage - 12 Feet by 8 Feet



192 Square Foot Stage - 16 Feet by 12 Feet



288 Square Foot Stage - 24 Feet by 12 Feet

U.S. Package Shipping Table

Model	Lbs	Dims (inches)	Dims (inches)
1 PALLET			
ISTAGE1288	1000	49X49X35	
ISTAGE12816	1060	49X49X41	
ISTAGE12824	1120	49X49X47	
ISTAGE12832	1180	49X49X53	
2 PALLETS			
	total		
ISTAGE12168	1460	49X49X55	49X49X15
ISTAGE121616	1540	49X49X55	49X49X26
ISTAGE121624	1604	49X49X55	49X49X31
ISTAGE121632	1700	49X49X55	49X49X37
2 PALLETS			
	total		
ISTAGE12248	2150	49X49X60	49X49X32
ISTAGE122416	2232	49X49X60	49X49X37
ISTAGE122424	2294	49X49X60	49X49X43
ISTAGE122432	2390	49X49X60	49X49X50

U.S. Shipping Weight and Volume Chart

Model Number	NW	GW	Shipping dimension		
	(kgs)	(kgs)	(CM)		
			W	D	H
ISP4X4CS	TBD	TBD	TBD	TBD	TBD
ISP3X3CS	TBD	TBD	TBD	TBD	TBD
ISP4X4CD	43.0	44.0	125.0	125.0	10.0
ISP4X4DS	TBD	TBD	TBD	TBD	TBD
ISP4X4DD	45.0	46.0	125.0	125.0	10.0
ISP3X3CD	28.0	29.0	94.5	94.5	10.0
ISP3X3DS	TBD	TBD	TBD	TBD	TBD
ISP3X3DD	30.0	31.0	94.5	94.5	10.0
ISTPC4	11.8	12.8	123.5	107.2	4.7
ISTPD4	11.8	12.8	123.5	107.2	4.7
ISTPC3	9.8	10.8	93.0	80.6	4.7
ISTPD3	9.8	10.8	93.0	80.6	4.7
ISTPEC2	27.0	28.0	204.0	174.0	6.5
ISQRPC4	16.0	18.0	125.0	125.0	6.5
ISQRPD4	18.0	19.0	125.0	125.0	6.5
ISQRPC3	10.5	11.5	94.5	94.5	6.5
ISQRPD3	11.5	12.5	94.5	94.5	6.5
ISSTEPC	1.5	2.5	94.5	34.8	6.5
ISSTEPD	1.5	2.5	94.5	34.5	6.5
IS4X4X8	TBD	TBD	TBD	TBD	TBD
IS4X4X16	TBD	TBD	TBD	TBD	TBD
IS4X4X24	4.5	5.0	13.2	13.2	87.6
IS4X4X32	4.8	6.0	13.2	13.2	103.3
IS4.2X3X8	TBD	TBD	TBD	TBD	TBD
IS4.2X3X16	TBD	TBD	TBD	TBD	TBD
IS4.2X3X24	TBD	TBD	TBD	TBD	TBD
IS4.2X3X32	TBD	TBD	TBD	TBD	TBD
IS3X3X8	2.4	3.0	13.2	13.2	51.2
IS3X3X16	2.8	3.5	13.2	13.2	62.5
IS3X3X24	3.8	5.0	13.2	13.2	77.9
IS3X3X32	4.2	5.3	13.2	13.2	95.3
IST4X8	TBD	TBD	TBD	TBD	TBD
IST4X16	1.2	1.8	9.2	9.2	67.8
IST4X24	1.5	2.3	9.2	9.2	82.2
IST4X32	1.6	2.7	9.2	9.2	98.8
IST3X8	0.8	1.2	9.2	9.2	44.9
IST3X16	1.0	1.5	9.2	9.2	57.6
IST3X24	1.3	2.0	9.2	9.2	74.1
IST3X32	1.4	2.3	9.2	9.2	92.3
ISQR4X8	TBD	TBD	TBD	TBD	TBD
ISQR4X16	TBD	TBD	TBD	TBD	TBD
ISQR4X24	3.4	4.0	13.2	13.2	87.6
ISQR4X32	3.6	4.5	13.2	13.2	103.3
ISQR3X8	1.8	2.4	13.2	13.2	51.2
ISQR3X16	2.1	3.0	13.2	13.2	62.5
ISQR3X24	2.9	3.5	13.2	13.2	77.9
ISQR3X32	3.2	4.0	13.2	13.2	95.3
ISSTEP8	1.8	2.4	17.2	9.2	36.2
ISSTEP16	2.1	3.0	17.2	9.2	51.4
ISSTEP24	2.9	3.5	17.2	9.2	69.6
ISSTEP32	TBD	TBD	TBD	TBD	TBD
ISSK4X8	0.1	0.1	36.0	23.6	TBD
ISSK4X16	0.1	0.1	36.0	23.6	TBD
ISSK4X24	0.1	0.2	36.0	23.6	TBD
ISSK4X32	0.1	0.2	36.0	23.6	TBD
ISSJ	0.6	0.7	14.0	5.5	3.5
ISREK	0.1	0.2	9.0	6.5	2.0
IS6LEGX10	2.1	2.5	24.0	15.0	10.5

U.S. UPC Codes

U.S. UPC Codes	
MODEL	UPC CODE
ISTAGE1288	821525010318
ISTAGE12816	821525010325
ISTAGE12824	821525010332
ISTAGE12832	821525010349
ISTAGE12168	821525010356
ISTAGE121616	821525010363
ISTAGE121624	821525010370
ISTAGE121632	821525010387
ISTAGE12248	821525010394
ISTAGE122416	821525010400
ISTAGE122424	821525010417
ISTAGE122432	821525010424
ISDRUM6X6	821525010431
ISC6X4X4C	821525010448
ISC6X3X3C	821525010455
ISP4X4CS	821525010462
ISP3X3CS	821525010479
ISP4X4CD	821525010486
ISP3X3CD	821525010493
ISP4X4DS	821525010509
ISP3X3DS	821525010516
ISP4X4DD	821525010523
ISP3X3DD	821525010530
ISTPC4	821525010547
ISTPC3	821525010554
ISTPD4	821525010561
ISTPD3	821525010578
ISQRPC4	821525010585
ISQRPC3	821525010592
ISQRPD4	821525010608
ISQRPD3	821525010615
ISSTEPC	821525010622
ISSTEPD	821525010639
IS4X4X8	821525010646
IS4X4X16	821525010653
IS4X4X24	821525010660
IS4X4X32	821525010677
IS3X3X8	821525010684
IS3X3X16	821525010691
IS3X3X24	821525010707
IS3X3X32	821525010714
IST4X8	821525010721
IST4X16	821525010738
IST4X24	821525010745
IST4X32	821525010752
IST3X8	821525010769
IST3X16	821525010776
IST3X24	821525010783
IST3X32	821525010790
ISQR4X8	821525010806
ISQR4X16	821525010813
ISQR4X24	821525010820
ISQR4X32	821525010837
ISQR3X8	821525010844
ISQR3X16	821525010851
ISQR3X24	821525010868
ISQR3X32	821525010875
ISSTEP8	821525010882
ISSTEP16	821525010899
ISSTEP24	821525010905
ISSK4X8	821525010912
ISSK4X16	821525010929
ISSK4X24	821525010936
ISSK4X32	821525010943
ISSJ	821525010950
ISREK	821525010967

Sizes & Configurations (European)

Stage Platform

Rectangle and Square Platforms

ISPE2X1CD	2m x 1m Carpet Finish Platforms (2 pcs per master pack)
ISPE1X1CD	1m x 1m Carpet Finish Platforms (2pcs per master pack)
ISPE1X0.5CD	1m x .5m Carpet Finish Platforms (2 pcs per master pack)
ISPE2X1DD	2m x 1m Duraflex Finish Platforms (2 pcs per master pack)
ISPE1X1DD	1m x 1m Duraflex Finish Platforms (2 pcs per master pack)
ISPE1X0.5DD	1m x .5m Duraflex Finish Platforms (2 pcs per master pack)

Triangle Platforms

ISTPEC	1m Carpet Finish Triangle Platform
ISTPED	1m Duraflex Finish Triangle Platform

Quarter Round Platforms

ISQRPEC	1m Carpet Finish Quarter Round Platform
ISQRPED	1m Duraflex Finish Quarter Round Platform

EURO Step

ISSTEPEC	1m Long Carpet Finish Euro Step
ISSTEPED	1m Long Duraflex Finish Euro Step

Risers For Platforms

Risers for ISPE2X1CD & ISPE2X1DD

ISE2X1X20	20cm High (must be bottom riser in a multi-riser stack)
ISE2X1X30	30cm High
ISE2X1X40	40cm High
ISE2X1X60	60cm High

Risers for ISPE1X1CD & ISPE1X1DD

ISE1X1X20	20cm High (must be bottom riser in a multi-riser stack)
ISE1X1X30	30cm High
ISE1X1X40	40cm High
ISE1X1X60	60cm High

Risers for ISPE1X0.5CD & ISPE1X0.5CD

ISE1X.5X20	20cm High (must be bottom riser in a multi-riser stack)
ISE1X.5X30	30cm High
ISE1X.5X40	40cm High
ISE1X.5X60	60cm High

Risers for ISTPEC & ISTPED

ISE1X20	20cm High (must be bottom riser in a multi-riser stack)
ISE1X30	30cm High
ISE1X40	40cm High
ISE1X60	60cm High

Risers for ISQRPEC & ISQRPED

ISEQR1X20	20cm High (must be bottom riser in a multi-riser stack)
ISEQR1X30	30cm High
ISEQR1X40	40cm High
ISEQR1X60	60cm High

Risers for ISSTEPEC & ISSTEPED

ISESTEP20	20cm High (must be bottom riser in a multi-riser stack)
ISESTEP30	30cm High
ISESTEP40	40cm High

Flight Cases

ISEC6X2X1C	Flight Case for 6 pcs. of 2m x 1m platforms with matching risers & front access door
ISEC6X1X1C	Flight Case for 6 pcs. of 1m x 1m platforms with matching risers

Skirts

ISESK2X20	2m wide X 20 cm long Black Skirt
ISESK2X30	2m wide X 30 cm long Black Skirt
ISESK2X40	2m wide X 40 cm long Black Skirt
ISESK2X60	2m wide X 60 cm long Black Skirt

Accessories

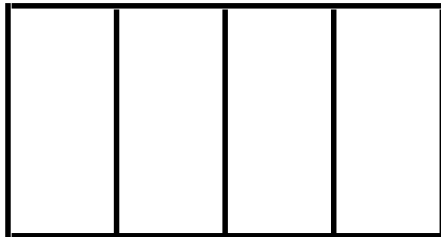
ISSJ	4 Pack of Connecting Hardware For Various Heights of Stages & Steps
ISREK	4 Pack of Riser Extension Hardware (20cm risers must be bottom riser in a multi-riser stack)
ISRK	Replacement Parts Kit Includes: 4 Corner Locking Posts, 4 Coupling Posts, 4 Riser Feet, 16 Riser Pins, 4 Hex Keys and 4 Platform to Platform Locking Mechanisms

Drum Risers

ISDRUM6X6	6' X 6', 6" High Drummer's Platform Includes: 4 pcs. of 3' x 3' Carpeted Platforms (ISP3X3CD) 20 pcs. of 6" Legs (2 packs of IS6LEGX10)
-----------	---

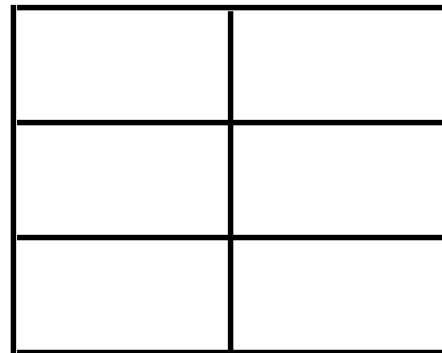
Square & Rectangular Platforms														Step Platforms		Drum Risers		Accessories	
IntelliStage Component Compatibility Matrix (EURO)	units are in meters		2X1 Carpet	1X1 Carpet	1X0.5 Carpet	2X1 Duraflex	1X1 Duraflex	1X0.5 Duraflex	Carpet	DuraFlex	ISDRUM6X6	ISSJ	ISREK						
	ISPE2X1CS	ISPE2X1CD	ISPE1X1CS	ISPE1X1CD	ISPE1X0.5CS	ISPE1X0.5CD	ISPE2X1DS	ISPE2X1DD	ISPE1X1DS	ISPE1X1DD	ISPE1X0.5DS	ISPE1X0.5DD	ISSTEPEC	ISSTEPED					
2X1 Risers																			
ISE2X1X20	X	X					X	X							X	X			
ISE2X1X30	X	X					X	X							X	X			
ISE2X1X40	X	X					X	X							X	X			
ISE2X1X60	X	X					X	X							X	X			
1X1 Risers																			
ISE1X1X20			X	X					X	X						X	X		
ISE1X1X30			X	X					X	X						X	X		
ISE1X1X40			X	X					X	X						X	X		
ISE1X1X60			X	X					X	X						X	X		
1X0.5 Risers																			
ISE1X.5X20					X	X					X	X				X	X		
ISE1X.5X30					X	X					X	X				X	X		
ISE1X.5X40					X	X					X	X				X	X		
ISE1X.5X60					X	X					X	X				X	X		
Step Risers																			
ISESTEP20															X	X	X		
ISESTEP30															X	X	X		
ISESTEP40															X	X	X		
Drum Riser Legs																			
IS6EGX10																X			
Skirts																			
ISESK1X20	X	X	X	X	X	X	X	X	X	X	X	X	X	X	X	X	X		
ISESK1X30	X	X	X	X	X	X	X	X	X	X	X	X	X	X	X	X	X		
ISESK1X40	X	X	X	X	X	X	X	X	X	X	X	X	X	X	X	X	X		
ISESK1X60	X	X	X	X	X	X	X	X	X	X	X	X	X	X	X	X	X		
Flight Cases																			
ISEC6X1X1C			X	X					X	X									
ISEC6X2X1C	X	X							X	X									

Suggested European Stage System Package Diagrams



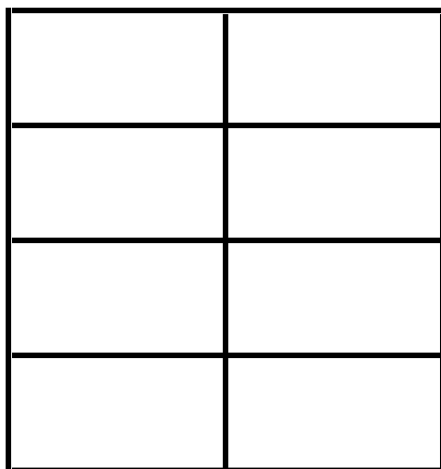
8 Square Meter Stage

4 Meters by 2 Meters



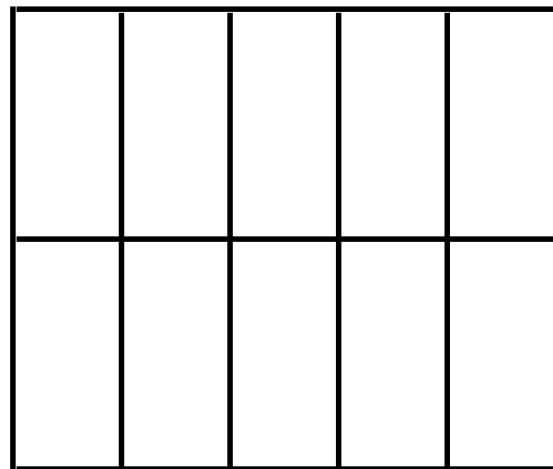
12 Square Meter Stage

4 Meters by 3 Meters



16 Square Meter Stage

4 Meters by 4 Meters



20 Square Meter Stage

5 Meters by 4 Meters

European Shipping Weight and Volume Chart

Model Number	NW	GW	Shipping dimension		
	(kgs)	(kgs)	(CM)		
			W	D	H
ISPE1X1CS	TBD	TBD	TBD	TBD	TBD
ISPE1X1DS	TBD	TBD	TBD	TBD	TBD
ISPE1X10.5CS	TBD	TBD	TBD	TBD	TBD
ISPE1X10.5DS	TBD	TBD	TBD	TBD	TBD
ISPE2X1CD	34.5	36.0	204.0	104.0	10.0
ISPE2X1DD	34.5	36.0	204.0	104.0	10.0
ISPE1X1CD	28.0	29.0	103.0	103.0	10.0
ISPE1X1DD	28.0	29.0	103.0	103.0	10.0
ISPE1X0.5CD	16.0	17.0	103.0	55.0	10.0
ISPE1X0.5DD	16.0	17.0	103.0	55.0	10.0
ISTPEC1	11.0	12.5	103.0	87.5	6.5
ISTPED1	11.0	12.5	103.0	87.5	6.5
ISQRPEC1	12.5	14.0	103.0	103.0	6.5
ISQRPED1	12.5	14.0	103.0	103.0	6.5
ISSTEPEC	5.5	5.8	103.0	38.0	6.5
ISSTEPED	5.5	5.8	38.0	38.0	6.5
ISE2X1X20	5.3	6.0	21.2	13.2	54.9
ISE2X1X30	6.0	7.0	21.2	13.2	59.3
ISE2X1X40	8.2	9.1	21.2	13.2	65.1
ISE2X1X60	9.3	10.3	21.2	13.2	79.5
ISE1X1X20	2.6	2.9	13.2	13.2	54.9
ISE1X1X30	3.0	3.4	13.2	13.2	59.3
ISE1X1X40	4.0	4.5	13.2	13.2	65.1
ISE1X1X60	4.5	5.0	13.2	13.2	79.5
ISE1X0.5X20	1.7	2.4	13.2	9.2	53.0
ISE1X0.5X30	2.0	2.4	13.2	9.2	57.6
ISE1X0.5X40	2.7	3.2	13.2	9.2	63.5
ISE1X0.5X60	3.0	3.5	13.2	9.2	78.2
ISET1X20	1.0	1.3	9.2	9.2	47.4
ISET1X30	1.4	1.7	9.2	9.2	52.5
ISET1X40	1.5	2.0	9.2	9.2	58.9
ISET1X60	1.8	2.3	9.2	9.2	74.4
ISEQR1X20	2.0	2.6	13.2	13.2	54.9
ISEQR1X30	2.5	3.1	13.2	13.2	59.3
ISEQR1X40	3.7	4.5	13.2	13.2	65.1
ISEQR1X60	4.2	4.8	13.2	13.2	79.5
ISESTEP20	2.8	3.5	17.2	9.2	35.6
ISESTEP30	4.1	4.7	17.2	9.2	42.3
ISESTEP40	4.5	4.9	17.2	9.2	50.2
ISESTEP60	TBD	TBD	TBD	TBD	TBD
ISEC4X2X1C	TBD	TBD	TBD	TBD	TBD
ISEC4X1X1C	46.0	47.5	110.0	38.5	113.5
ISEC4X1X0.5C	35.0	36.0	110.0	38.5	63.5
ISESK1X20	TBD	TBD	TBD	TBD	TBD
ISESK1X30	TBD	TBD	TBD	TBD	TBD
ISESK1X40	TBD	TBD	TBD	TBD	TBD
ISESK1X60	TBD	TBD	TBD	TBD	TBD

European UPC Codes

European UPC Codes	
MODEL	UPC CODE
ISTPED1	821525011261
ISTPEC1	821525011155
ISSTEPED	821525011292
ISSTEPEC	821525011186
ISQRPED1	821525011285
ISQRPEC1	821525011179
ISPE2X1DS	821525011193
ISPE2X1DD	821525011223
ISPE2X1CS	821525011087
ISPE2X1CD	821525011117
ISPE1X1DS	821525011209
ISPE1X1DD	821525011230
ISPE1X1CS	821525011094
ISPE1X1CD	821525011124
ISPE1X0.5DS	821525011216
ISPE1X0.5DD	821525011247
ISPE1X0.5CS	821525011100
ISPE1X0.5CD	821525011131
ISET1X60	821525011490
ISET1X40	821525011483
ISET1X30	821525011476
ISET1X20	821525011469
ISESTEP40	821525011605
ISESTEP30	821525011599
ISESTEP20	821525011582
ISESK1X60	821525011667
ISESK1X40	821525011650
ISESK1X30	821525011643
ISESK1X20	821525011636
ISEQR1X60	821525011575
ISEQR1X40	821525011568
ISEQR1X30	821525011551
ISEQR1X20	821525011544
ISEC4X2X1C	821525012220
ISEC4X1X1C	821525011612
ISEC4X1X.5C	821525011629
ISE2X1X60	821525011339
ISE2X1X40	821525011322
ISE2X1X30	821525011315
ISE2X1X20	821525011308
ISE1X1X60	821525011377
ISE1X1X40	821525011360
ISE1X1X30	821525011353
ISE1X1X20	821525011346
ISE1X.5X60	821525011414
ISE1X.5X40	821525011407
ISE1X.5X30	821525011391
ISE1X.5X20	821525011384



IntelliStage/Road Ready Key Contacts

Your Road Ready Team:

Mike Gerutto: President / CEOmike@cipexinternational.com
Margaret Gerutto: Vice President / Sales margaret@cipexinternational.com
Elliott Davis: Marketing Manager..... elliottd@cipexinternational.com
Agatha Gerutto: Marketing.....agatha@cipexinternational.com
Michelle Licano: Customer Relations Manager/New Dealer Set Up/Custom Cases..... michelle@cipexinternational.com
Rebecca Rodriguez: Domestic Sales Coordinatorrebecca@cipexinternational.com
Stephanie Gardner: International Sales Coordinatorstephaney@cipexinternational.com
Warehouse/Shipping & Receiving..... warehouse@cipexinternational.com



Road Ready Cases

12662 Corral Place ★ Santa Fe Springs CA 90670

Ph: 562.906.6185 ★ Fax: 562.906.6186

Email: usa@roadreadycases.com ★ www.roadreadycases.com