

DMX-RT

User Manual

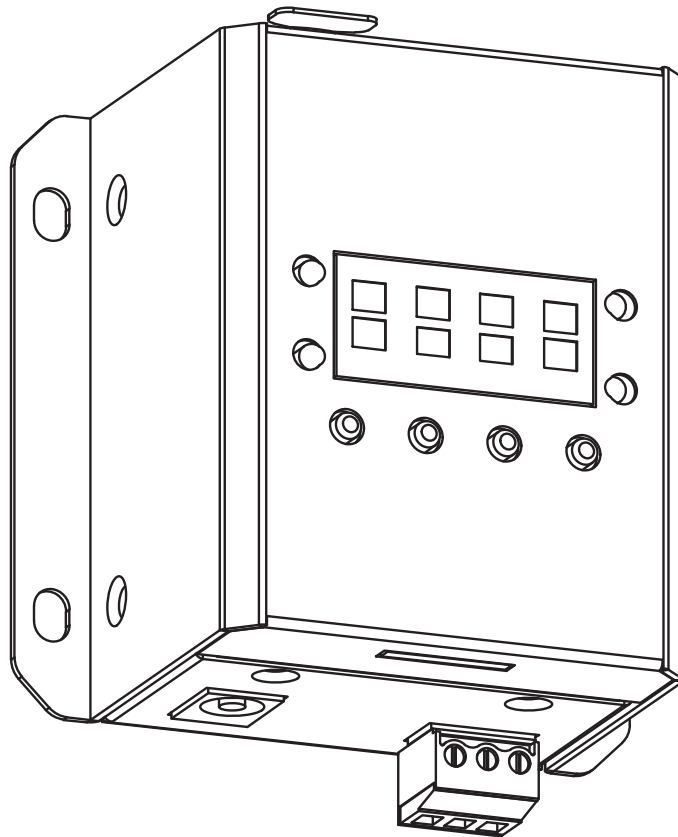


Table of Contents

1. Before You Begin	1
What Is Included	1
Unpacking Instructions.....	1
Claims	1
Text Conventions	1
Symbols	1
Disclaimer	1
Product at a Glance	2
Safety Notes.....	2
2. Introduction	3
Product Overview.....	3
Product Dimensions	4
3. Setup	5
AC Power	5
Mounting	5
Orientation.....	5
Rigging	5
Basic Setup	6
Trigger Set-up	6
DMX Set-up.....	7
4. Operation	8
Control Panel Operation.....	8
Menu Map	8
Error Codes.....	8
Configuration.....	9
Trigger Set-up	9
Cue File Setting.....	9
DMX Sequence File Selection	9
Delay Time	9
Record File Start type	9
Record File End type.....	9
Record File.....	9
Run File.....	10
Software Version.....	10
5. Maintenance.....	11
Product Maintenance	11
6. Technical Specifications	12
7. Returns.....	13
Contact Us	14

1. BEFORE YOU BEGIN

What Is Included

- DMX-RT
- Power Adapter
- Quick Reference Guide

Unpacking Instructions

Carefully unpack the product immediately and check the container to make sure all the parts are in the package and are in good condition.

Claims





If the box or the contents (the product and included accessories) appear damaged from shipping, or show signs of mishandling, notify the carrier immediately, not Chauvet. Failure to report damage to the carrier immediately may invalidate your claim. In addition, keep the box and contents for inspection.

For other issues, such as missing components or parts, damage not related to shipping, or concealed damage, file a claim with Chauvet within 7 days of delivery.

Text Conventions

CONVENTION	MEANING
1–512	A range of values
50/60	A set of values of which only one can be chosen
Settings	A menu option not to be modified
<ENTER>	A key to be pressed on the product's control panel
ON	A value to be entered or selected

Symbols

SYMBOL	MEANING
	Electrical warning. Not following these instructions may cause electrical damage to the product, accessories, or the user.
	Critical installation, configuration, or operation information. Not following these instructions may make the product not work, cause damage to the product, or cause harm to the operator.
	Important installation or configuration information. The product may not function correctly if this information is not used.
	Useful information.

Disclaimer

Chauvet believes that the information contained in this manual is accurate in all respects. However, Chauvet assumes no responsibility and specifically disclaims any and all liability to any party for any loss, damage or disruption caused by any errors or omissions in this document, whether such errors or omissions result from negligence, accident or any other cause. Chauvet reserves the right to revise the content of this document without any obligation to notify any person or company of such revision, however, Chauvet has no obligation to make, and does not commit to make, any such revisions. Download the latest version from www.chauvetdj.com.










The works of authorship contained in this manual, including, but not limited to, all design, text and images are owned by Chauvet.

© Copyright 2019 Chauvet & Sons, LLC. All rights reserved.

Electronically published by Chauvet in the United States of America.

CHAUVET, the Chauvet logo, and DMX-RT are registered trademarks or trademarks of Chauvet & Sons LLC. (d/b/a Chauvet and Chauvet Lighting) in the United States and other countries. Other company and product names and logos referred to herein may be trademarks of their respective companies.

Product at a Glance

Use on Dimmer		Auto Programs	
Outdoor Use		Auto-ranging Power Supply	
Sound-Active		Replaceable Fuse	
DMX		User-Serviceable	
Master/Slave			

Safety Notes



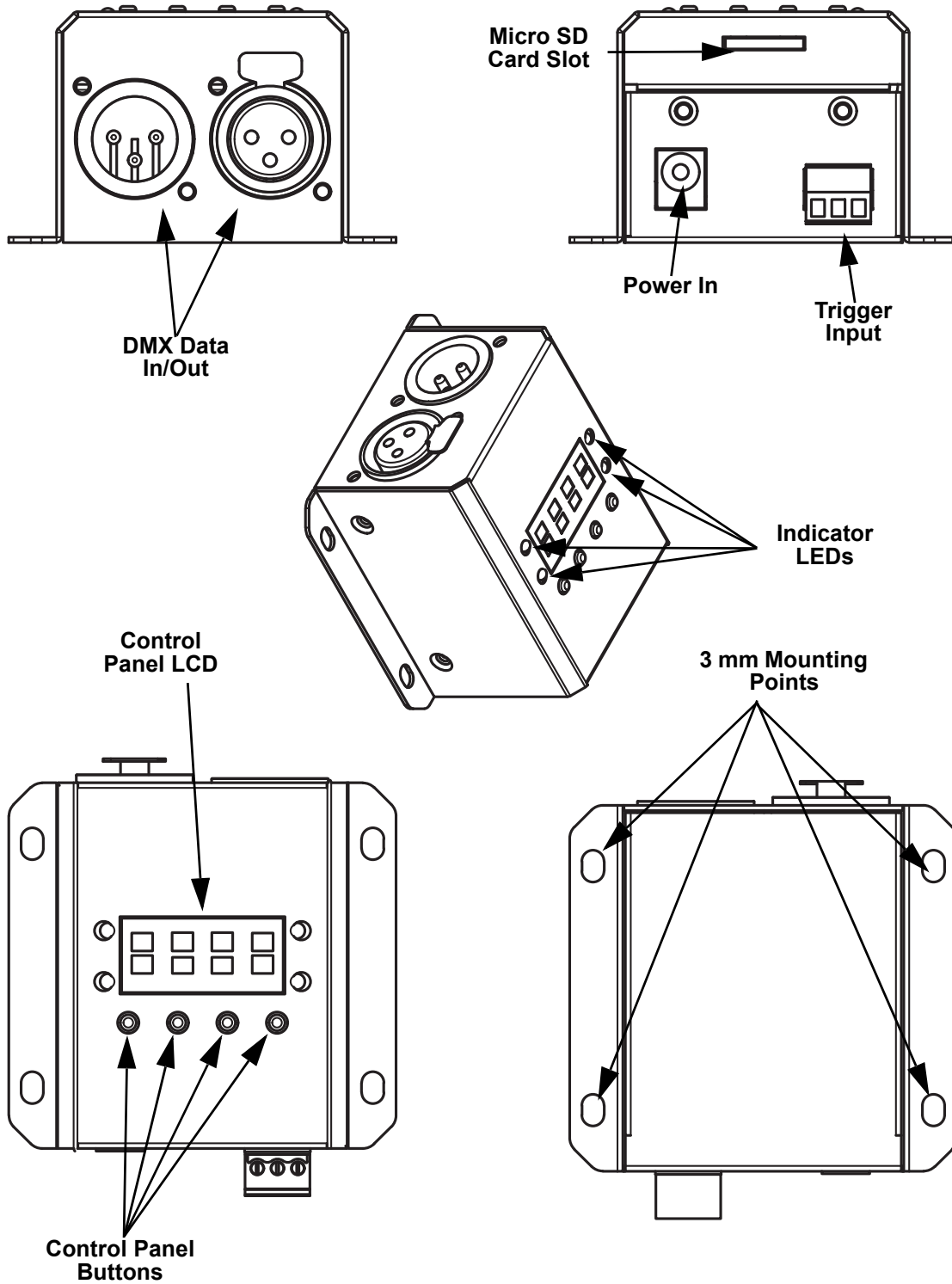
- Always connect the product to a grounded circuit to avoid the risk of electrocution.
- Make sure the power cord is not crimped or damaged.
- Never disconnect the product from power cord by pulling or tugging on the cord.
- If mounting the product overhead, always secure to a fastening device using a safety cable.
- Make sure there are no flammable materials close to the product when operating.
- Always make sure that the voltage of the outlet to which you are connecting the product is within the range stated on the decal or rear panel of the product.
- The product is for indoor use only! (IP20) To prevent risk of fire or shock, do not expose the product to rain or moisture.
- Always install the product in a location with adequate ventilation, at least 20 in (50 cm) from adjacent surfaces.
- Be sure that no ventilation slots on the product's housing are blocked.
- Never connect the product to a dimmer.
- Never carry the product from the power cord. Always use the hanging/mounting bracket.
- The maximum ambient temperature (Ta) is 104 °F (40 °C). Do not operate the product at higher temperatures.
- In the event of a serious operating problem, stop using the product immediately.
- Never try to repair the product. Repairs carried out by unskilled people can lead to damage or malfunction. Please contact the nearest authorized technical assistance center.
- To eliminate unnecessary wear and improve its lifespan, during periods of non-use completely disconnect the product from power via breaker or by unplugging it.

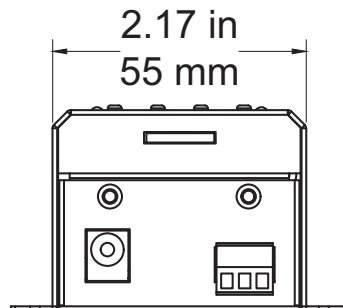
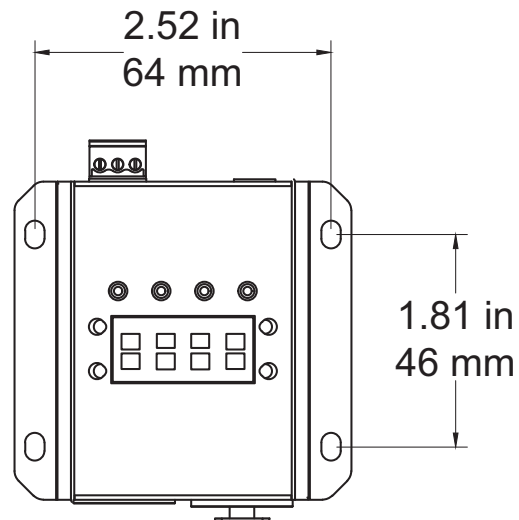
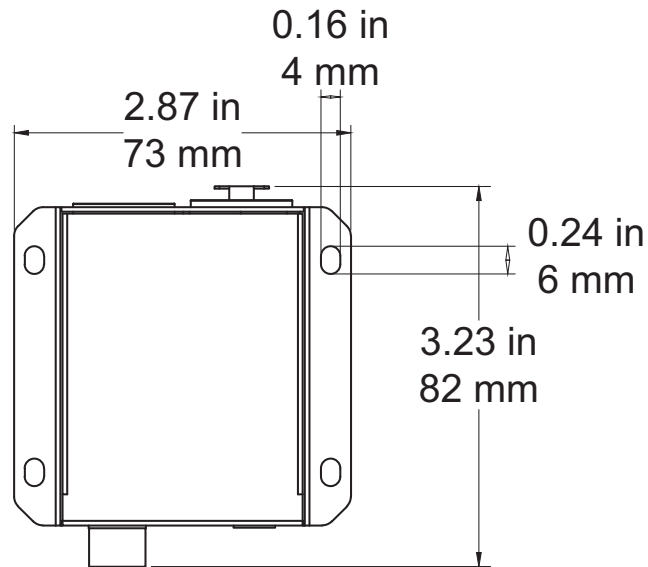


Keep this User Manual for future use. If you sell the product, be sure that they receive this document.

2. INTRODUCTION

Product Overview



Product Dimensions

3. SETUP

AC Power

The DMX-RT has an external auto-ranging power supply that works with an input voltage range of 100 to 240 VAC, 50/60 Hz. It runs on 12 VDC, 1A. To determine the product's power requirements (circuit breaker, power outlet, and wiring), use the current value listed on the label affixed to the product's back panel, or refer to the product's specifications chart. The listed current rating indicates the product's average current draw under normal conditions.



- **Always connect the product to a protected circuit (circuit breaker or fuse). Make sure the product has an appropriate electrical ground to avoid the risk of electrocution or fire.**
- **To eliminate unnecessary wear and improve its lifespan, during periods of non-use completely disconnect the product from power via breaker or by unplugging it.**



Never connect the product to a rheostat (variable resistor) or dimmer circuit, even if the rheostat or dimmer channel serves only as a 0 to 100% switch.

Mounting

Before mounting the product, read and follow the safety recommendations indicated in the [Safety Notes](#).

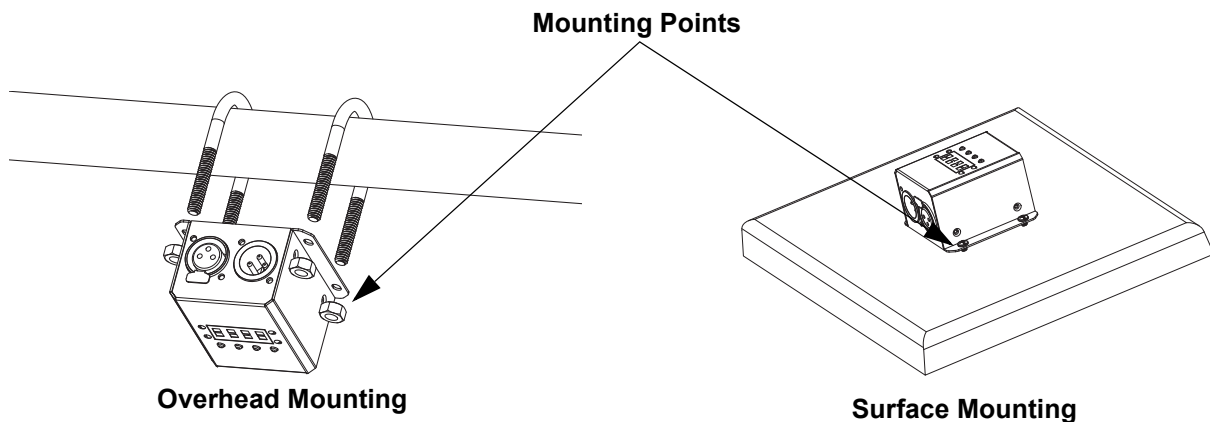
Orientation

The DMX-RT may be mounted in any position; however, make sure adequate ventilation is provided around the product.

Rigging

- Before deciding on a location for the product, always make sure there is easy access to the product for maintenance and programming purposes.
- Make sure that the structure onto which you are mounting the product can support the product's weight. See the [Technical Specifications](#) for weight information.
- When mounting the product overhead, always use a safety cable. Mount the product securely to a rigging point, whether an elevated platform or a truss.
- When rigging the product onto a truss, use a mounting clamp of appropriate weight capacity.
- When power linking multiple products, mount the products close enough for power linking cables to reach.
- The bracket adjustment knobs allow for directional adjustment when aiming the product to the desired angle. Only loosen or tighten the bracket knobs manually. Using tools could damage the knobs.

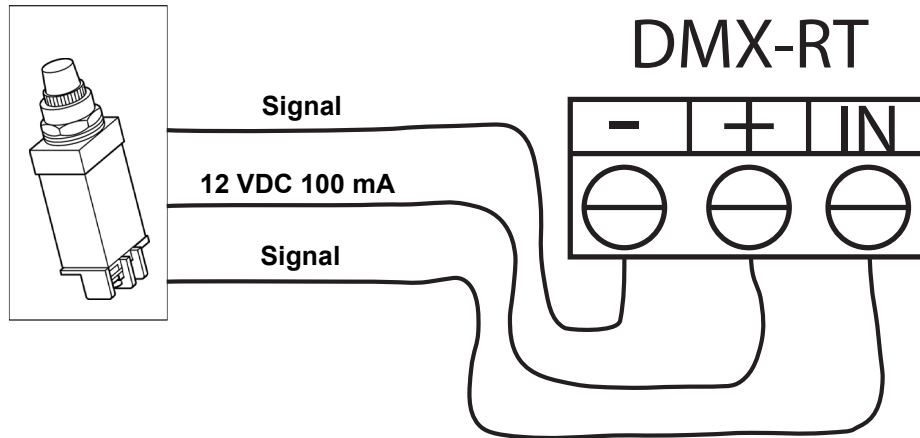
Mounting Diagram



Basic Setup

Below are basic set-up diagrams. Please refer to the other product's user manual for detailed installation instructions.

Trigger Set-up

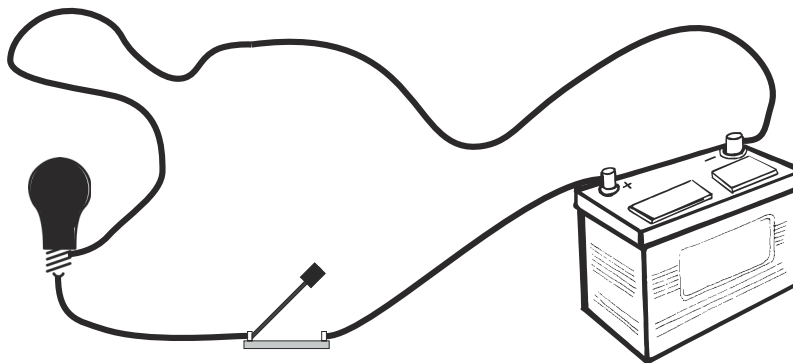


The diagram above illustrates how to connect products to the trigger port of the DMX-RT.

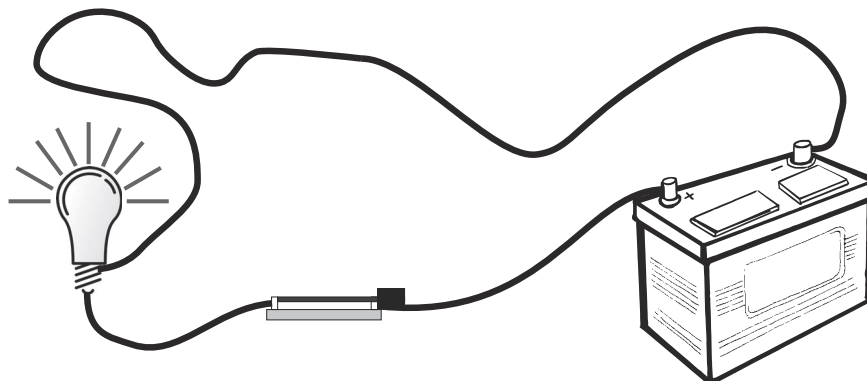
- “IN” “-” ports are for the signal that allows the DMX-RT to sense whether the circuit is closed or open.
- “+” port provides 12 VDC 100 mA of power to connect to other devices if needed.

The diagrams below show open and closed circuits.

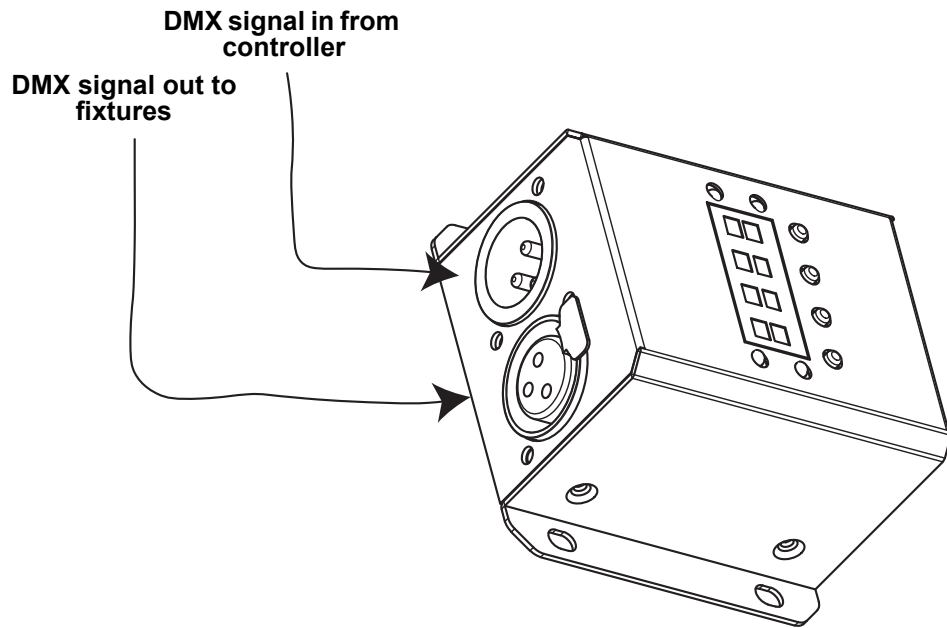
Open Circuit



Closed Circuit



DMX Set-up



4. OPERATION

Control Panel Operation

To access the control panel functions, use the four buttons located underneath the display. Please refer to the [Product Overview](#) to see the button locations on the control panel.

BUTTON	FUNCTION
<MENU>	Press to find an operation mode or to back out of the current menu option
<UP>	Press to scroll up the list of options or to find a higher value
<DOWN>	Press to scroll down the list of options or to find a lower value
<ENTER>	Press to activate a menu option or a selected value

Menu Map

MAIN LEVEL	PROGRAMMING LEVELS		DESCRIPTION	
----			Main Level Start	
SEtU	tt	nC	Normal= Closed. Product is set to trigger when circuit opens	
		no	Normal= Opened. Product is set to trigger when circuit closes	
	rt	Shot	Plays the selected show file one time only.	
		LooP	Plays the selected show file continuously until trigger is released	
	FILE	F000-999	Selects the show file to play	
	dt	00-60	Sets delay time in seconds. until the sequence can be triggered again	
	rb	nAnL	Sets the trigger mode to press <Enter> to start the recording.	
		non	Sets the trigger mode to having a DMX value of 001 or higher to start recording.	
	rE	nAnL	Press <Enter> to stop the recording.	
		non	Sets the trigger mode to having a DMX value of 000 to stop the recording.	
rECo	F000-999	StAr	mm.ss	Select to put product in record mode
rUn	F000-999	StAr	mm.ss	Select a program to test or preview. Press <Enter> to begin the sequence and press <Menu> to stop.
vEr	bxx		Shows the software (bootloader) and firmware (application) versions	
	Axx			

Error Codes

ERROR CODE	DISCRIPTION OF ERROR
err1	File system initialization failed
err2	No working directory found
err3	File creation failed
err5	Failed to read the DMX file tag
err6	The length of the file is not correct, maybe the file is damaged
err7	Failed to read DMX data from file

Configuration

Trigger Set-up

Set the DMX-RT to **nC** if the circuit is “on” (closed) during normal operation. The trigger will be cued when the circuit is turned “off”.

1. Go to **SEtU > tt.**
2. Select **nC.**

Set the DMX-RT to **no** if the circuit is “off” (opened) during normal operation. The trigger will be cued when the circuit is turned “on”.

1. Go to **SEtU > tt.**
2. Select **no.**

Cue File Setting

The DMX-RT can play the selected cue file one time and then stop (**Shot**) or continuously loop (**Loop**) the same cue after it was triggered.

1. Go to **SEtU > rt.**
2. Select **Shot** or **Loop.**

DMX Sequence File Selection

The DMX-RT can record and play up to 999 different user recorded DMX sequence files. Follow the steps below to set which file to play when triggered.

1. Go to **SEtU > FILE.**
2. Select the desired file number to play. (**F000-999**)

Delay Time

This will set the amount of time (0-60 secs) before the DMX-RT can be triggered again.

1. Go to **SEtU > dt.**
2. Select the desired delay time in seconds. (**00-60**)

Record File Start type

The DMX-RT can initiate recording a DMX sequence file by using DMX (once a value of 001 or higher is sensed the DMX-RT will start recording) or manually on the control panel using the **<ENTER>** button.

Using DMX as a trigger:

1. Go to **SEtU > rb.**
2. Select **non.**

Using manual trigger.

1. Go to **SEtU > rb.**
2. Select **nAnL.**

Record File End type

The DMX-RT can stop recording a DMX sequence file by DMX (once a value of 000 is sensed the DMX-RT will stop recording) or manually on the control panel using the **<ENTER>** button.

Using DMX as a trigger:

1. Go to **SEtU > rE.**
2. Select **non.**

Using manual trigger.

1. Go to **SEtU > rE.**
2. Select **nAnL.**

Record File

After choosing how to start and end the recording...

1. Go to **rECo.**
2. Select the desired file number to record (**F000-999**).
3. To start your recording, follow the recording setup selected above.

Run File

This allows the DMX-RT to run a file manually without having to use a trigger.

1. Go to **rUn**.
2. Select the desired file number to play. (**F000-999**)

Software Version

This shows the firmware.

1. Go to **vEr**.
2. Select **bxxx** for the software (bootloader) version and **Axxx** for the firmware (application) version.

5. MAINTENANCE

Product Maintenance

Dust build-up reduces light output performance and can cause overheating. This can lead to reduction of the light source's life and/or mechanical wear. To maintain optimum performance and minimize wear, clean your lighting products at least twice a month. However, usage and environmental conditions may require an increase in cleaning frequency.

To clean the product, follow the instructions below:

1. Unplug the product from power.
2. Wait until the product is at room temperature.
3. Use a vacuum (or dry compressed air) and a soft brush to remove dust collected on the external surface/vents.
4. Clean all transparent surfaces with a mild soap solution, ammonia-free glass cleaner, or isopropyl alcohol.
5. Apply the solution directly to a soft, lint free cotton cloth or a lens cleaning tissue.
6. Softly drag any dirt or grime to the outside of the transparent surface.
7. Gently polish the transparent surfaces until they are free of haze and lint.



Always dry the transparent surfaces carefully after cleaning them.

6. TECHNICAL SPECIFICATIONS

Dimensions and Weight

LENGTH	WIDTH	HEIGHT	WEIGHT
3.23 in (77 mm)	2.87 in (73 mm)	1.7 in (43 mm)	0.4 lb (0.2 kg)

Note: Dimensions in inches rounded to the nearest decimal digit.

Power

POWER SUPPLY TYPE	RANGE	VOLTAGE
Switching (external)	100 to 240 VAC, 50/60 Hz	12 VDC 100 mA
PARAMETER	120 V, 60 Hz	230 V, 50 Hz
Consumption	1 W	1 W
Operating Current	0.03 A	0.03 A

Thermal

MAXIMUM EXTERNAL TEMPERATURE	COOLING SYSTEM
104 °F (40 °C)	Convection

DMX

I/O CONNECTOR
3-pin XLR

Ordering

PRODUCT NAME	ITEM CODE	UPC NUMBER
DMX-RT	09081254	781462216023



RETURNS

In case you need to get support or return a product:

- If you are located in the U.S., contact Chauvet World Headquarters.
- If you are located in the UK or Ireland, contact Chauvet Europe Ltd.
- If you are located in France, contact Chauvet France.
- If you are located in Germany, contact Chauvet Germany.
- If you are located in Mexico, contact Chauvet Mexico.
- If you are located in Benelux, contact Chauvet Europe BVBA.
- If you are located in any other country, DO NOT contact Chauvet. Instead, contact your local distributor. See www.chauvetdj.com for distributors outside the U.S., UK, Ireland, France, Germany, Mexico, or Benelux.



If you are located outside the U.S., UK, Ireland, France, Germany, Mexico, or Benelux, contact your distributor of record and follow their instructions on how to return Chauvet products to them. Visit our website www.chauvetdj.com for contact details.

Call the corresponding Chauvet Technical Support office and request a Return Merchandise Authorization (RMA) number before shipping the product. Be prepared to provide the model number, serial number, and a brief description of the cause for the return.

Send the merchandise prepaid, in its original box, and with its original packing and accessories. Chauvet will not issue call tags.

Clearly label the package with the RMA number. Chauvet will refuse any product returned without an RMA number.



Write the RMA number on a properly affixed label. DO NOT write the RMA number directly on the box.

Before sending the product, clearly write the following information on a piece of paper and place it inside the box:

- Your name
- Your address
- Your phone number
- RMA number
- A brief description of the problem

Be sure to pack the product properly. Any shipping damage resulting from inadequate packaging will be your responsibility. FedEx packing or double-boxing are recommended.



Chauvet reserves the right to use its own discretion to repair or replace returned product(s).

Contact Us

General Information	Technical Support
Chauvet World Headquarters	
Address: 5200 NW 108th Ave. Sunrise, FL 33351 Voice: (954) 577-4455 Fax: (954) 929-5560 Toll Free: (800) 762-1084	Voice: (844) 393-7575 Fax: (954) 756-8015 Email: chauvetcs@chauvetlighting.com Website: www.chauvetdj.com
Chauvet Europe Ltd	
Address: Unit 1C Brookhill Road Industrial Estate Pinxton, Nottingham, UK NG16 6NT Voice: +44 (0) 1773 511115 Fax: +44 (0) 1773 511110	Email: UKtech@chauvetlighting.eu Website: www.chauvetdj.eu
Chauvet Europe BVBA	
Address: Stokstraat 18 9770 Kruishoutem Belgium Voice: +32 9 388 93 97	Email: BNLtech@chauvetlighting.eu Website: www.chauvetdj.eu
Chauvet France	
Address: 3, Rue Ampère 91380 Chilly-Mazarin France Voice: +33 1 78 85 33 59	Email: FRtech@chauvetlighting.fr Website: www.chauvetdj.eu
Chauvet Germany	
Address: Bruno-Bürgerl-Str. 11 28759 Bremen Germany Voice: +49 421 62 60 20	Email: DEtech@chauvetlighting.de Website: www.chauvetdj.eu
Chauvet Mexico	
Address: Av. de las Partidas 34 - 3B (Entrance by Calle 2) Zona Industrial Lerma Lerma, Edo. de México, CP 52000 Voice: +52 (728) 690-2010	Email: servicio@chauvet.com.mx Website: www.chauvetdj.mx

Visit the applicable website above to verify our contact information and instructions to request support. Outside the U.S., U.K., Ireland, France, Germany, Mexico or Benelux, contact the dealer of record.