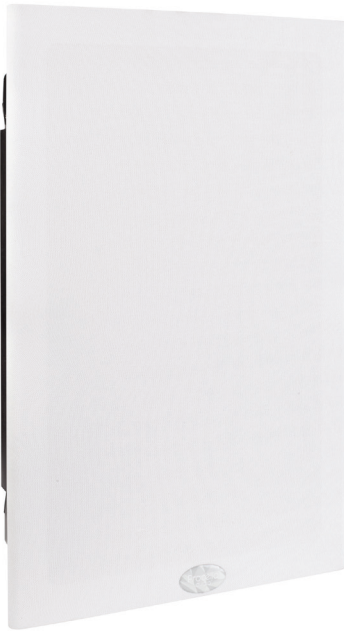




P5iW

In-Wall L/C/R/Surround/Height Speaker

Technical Information



- Identical performance and sound quality as Procella's award-winning P5 bookshelf
- All MDF sealed-box with integral back box
- Drivers, crossover, and input terminals mounted on detachable front baffle
- Wing clamp mounting is easy, quick and enables speaker removal
- Main speaker for small to mid-size rooms; surround or height channel for any room

- 5.25" high-efficiency woofer driver
- 1" pro compression driver on 80° circular constant directivity waveguide
- Ideal for ceiling mounted Atmos and overhead 3D Audio height channels
- Flat fabric grill attaches magnetically to complete elegant appearance
- Both white fabric and black fabric grilles are included

Impedance 8 Ohms nominal. Phase angles less than 45 degrees.

Power handling
Continuous 75 Watt
Peak 250 Watt

Sensitivity
1m/1w 91dB

Maximum SPL 113dB continuous, 119dB peak

Frequency response
-3dB points 90 Hz and 20 kHz

Dispersion pattern
-6dB Constant directivity;
80° circular from 2.5kHz

Crossover Asymmetrical and phase-aligned
2.2kHz, BSC

Connectivity Gold plated large diameter
binding posts

Components
Midrange 5.25" driver with 26mm voice coil
in 5 litre sealed box

High Frequency 1" compression driver, circular
constant directivity waveguide

Construction Solid MDF, sealed back box

Dimensions
Speaker WxH 11.8" x 18.5" / 300 x 470 mm
Depth overall 4.53" / 115 mm
inside wall 3.9" / 98mm (fits U.S. walls)
Wall cut-out Grille WxH 10.25" x 17" / 260 x 430 mm
12.6" x 19.3" / 320 x 490 mm

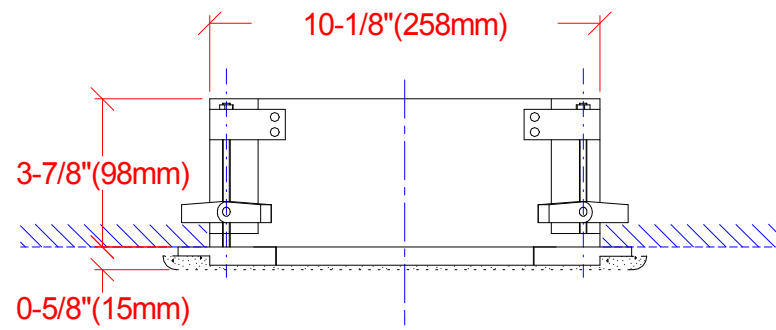
Shipping Carton
HxWxD 9.65" x 15.75" x 23.6" / 245 x 400 x 600 mm

Net weight 14.3 Lbs. / 6.5 Kg

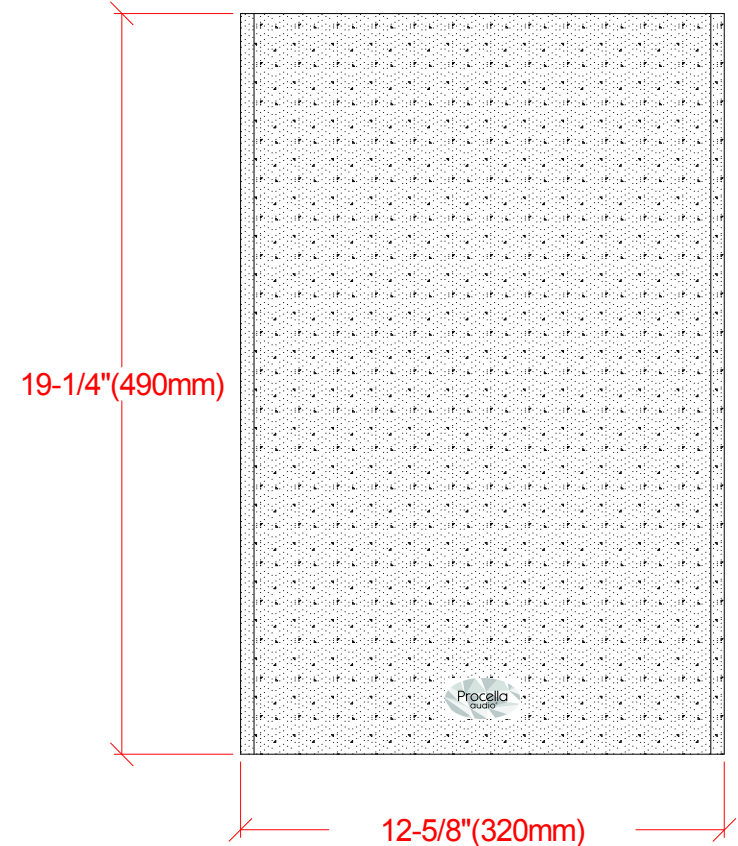
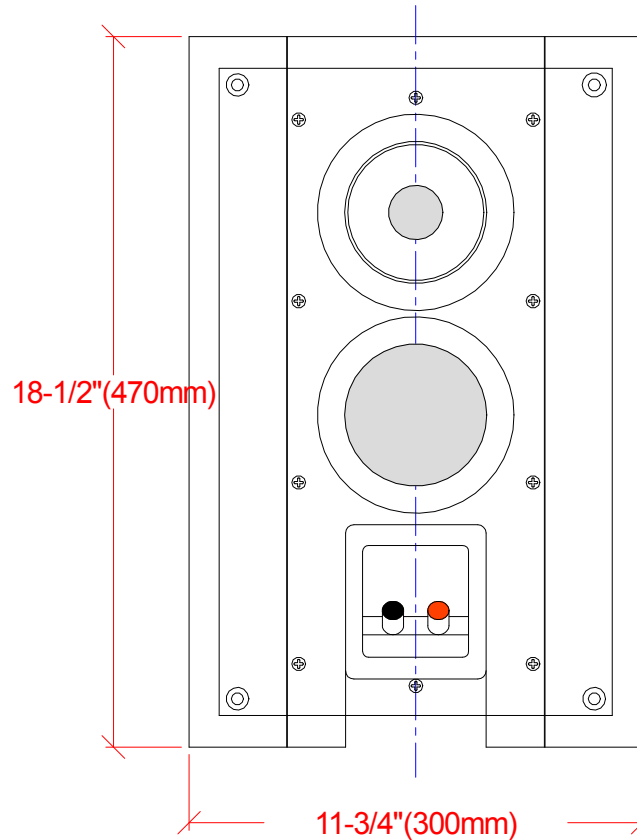
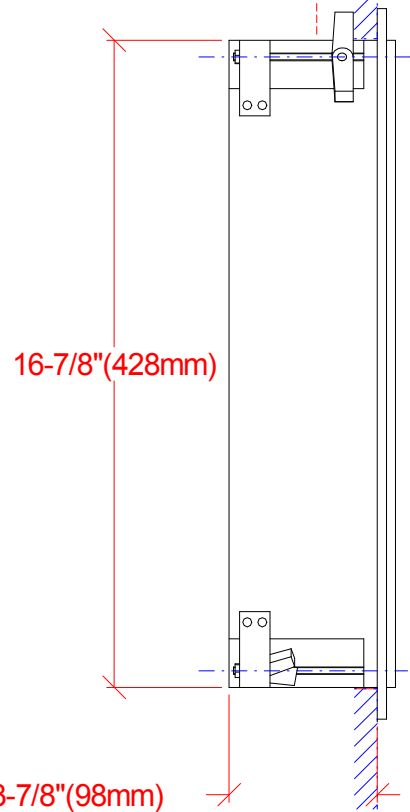
Shipping weight 17.6 Lbs. / 8 Kg

Assembly Sweden; 100% QC testing

P5iW



MAX 1-5/8" (40mm)
MIN 0-5/8" (15mm)



Wall cut-out = 10.25"x17" (260x430mm)
Weight = 6,5kg
Box volume = 7.4L
Package: 600x400x245mm



Procella P5 inWall
Anders Uggelberg, 11jan-16
UPD:8/8-17
Scale 1:5 (PDF/JPG-file not to scale)
P5iw_ext_dim.CAD