



 **BODYMED<sup>®</sup>**  
Treatment Tables



This manual contains important safety and instruction information. It must be read before using this product. Failure to read and comply with the information contained in this manual may lead to serious bodily injury, including death.



# Table of Contents

Product Introduction.....	3
Cautions, Warnings & Safety Instructions.....	6
Operation Instructions.....	8
Manufacturer’s Limited Warranty .....	14
Limitation of Liabilities .....	17



# Product Introduction

**Please read the following instructions carefully before use. Improper use of this product, or failure to follow these warnings and instructions, may result in serious bodily injury, including death.**

The BodyMed® Treatment Table and Treatment Table with Adjustable Backrest provide high-quality stability and support for multiple types of treatments and therapies. Featuring a solid and sturdy hardwood frame, these fixed height treatment tables can support up to 595 lb. (270 kg). These fully functional exam treatment tables also include a contoured nosehole and plug as well as a full wooden shelf for additional storage beneath the table. Optimized for user comfort, the tabletop features plush, 2.5-in. multi-layered foam padding and a durable PVC upholstery that is easy to clean and sanitize. Plus, its seamless, rounded corners provide additional comfort and protection for enhanced user satisfaction.



## **BodyMed® Treatment Table**

Item # BDMTT2BLK & BDMTT2BLU

### **Features**

- Heavy-duty hardwood frame
- Full storage shelf
- Contoured nosehole
- Cushioned nosehole plug
- 2.5-in. (6 cm) multi-layered foam top
- Seamless, rounded corners
- PVC upholstery
- Color: Black or Imperial Blue
- 2-year limited warranty

### **Product Specifications**

- Maximum Weight Capacity: 595 lb. (270 kg)
- Fixed Height: 30.5 in. (77 cm)
- Table Length: 72.5 in. (184 cm)
- Table Width: 28 in. (71 cm)
- Table Weight: 67 lb. (30.5 kg)



## **BodyMed® Treatment Table with Adjustable Backrest**

Item # BDMTTAB2BLK & BDMTTAB2BLU

### **Features**

- Heavy-duty hardwood frame
- Full storage shelf
- Adjustable backrest section
- Contoured nosehole
- Cushioned nosehole plug
- Adjusting handle
- 2.5-in. (6 cm) multi-layered foam top
- Seamless, rounded corners
- PVC upholstery
- Color: Black or Imperial Blue
- 2-year limited warranty

### **Product Specifications**

- Maximum Weight Capacity: 595 lb. (270 kg)
- Fixed Height: 30.5 in. (77 cm)
- Table Length: 72.5 in. (184 cm)
- Table Width: 28 in. (71 cm)
- Table Weight: 67 lb. (30.5 kg)
- Backrest Angle Range: 0°–60°



# Cautions, Warnings, & Safety Instructions

Please read the following instructions carefully before use. Improper use of this product, or failure to follow these warnings and instructions, may result in serious bodily injury, including death.

## Cautions

Avoid any potential pinching of limbs when adjusting the backrest, if applicable.

Keep children away during assembly as well as remove sharp objects to prevent upholstery damage.

Please ensure all fasteners are tightened before using.

Make sure the table legs and backrest, if applicable, are locked tightly before setting up the table; two people are needed to lift or move the table.

Do not use the table if any elements are loose, missing, damaged, etc.

Ensure the table is completely flat on the floor prior to use.

Check the padding and upholstery carefully when unpacking the table. Do not use if there are signs of damage. Warranty excludes damages caused by improper set up, accident, abuse, or the unintended use of the product.

Lift by the wooden frame rather than the upholstery to move or turn the table.

Keep the treatment table away from children and pets.



## Warnings

Do not sit on the backrest section, if applicable, as this may exceed the weight rating and cause serious bodily injury and damage.

Do not exceed the recommended weight limit of the table.

Users under 18 need adult supervision when using this table.

Do not use sharp objects with the table.

Refrain from any instances that could cause damage or failure of the equipment in use.

Refrain from any instances that could cause damage or failure of the equipment in use.

## Safety Instructions

Read this manual before use.

Only use this table under the supervision of a licensed practitioner.

Only use the original accessories manufactured by BodyMed® for this table.

Keep away from direct heat and/or fire.

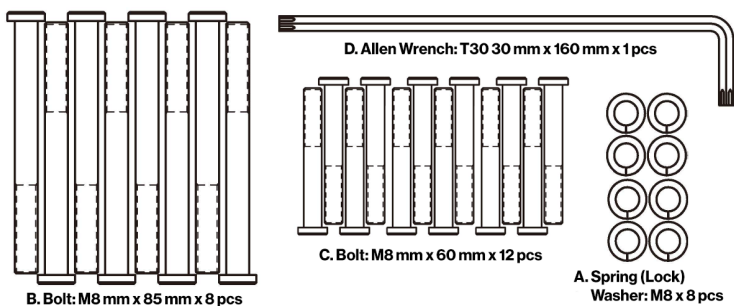
# Operation Instructions

## Installation

### Before You Begin

Please check all packed parts and tools in the box to ensure all items listed below are present.

### Included



- A. Spring (Lock) Washer: M8 x 8 pcs
- B. Bolt: M8 mm x 85 mm x 8 pcs
- C. Bolt: M8 mm x 60 mm x 12 pcs
- D. Allen Wrench: T30 30 mm x 160 mm x 1 pcs





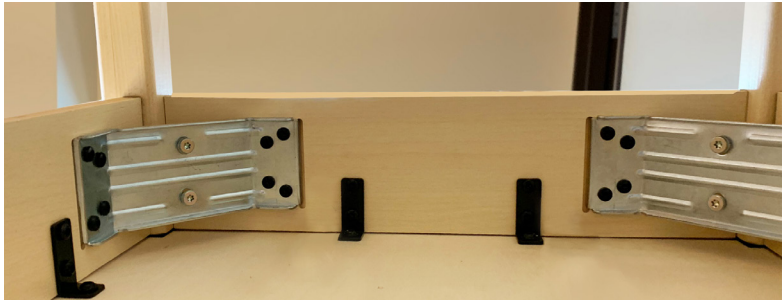
1

Place the tabletop upside down on a flat floor. Ensure there are no sharp objects. To protect the fabric, it is recommended to place the tabletop on a blanket.



2

Match the shape of each leg with the pads under the table before installing.



3

Install the four legs according to the image. Two bolts are placed in each corner using a washer per bolt and the Allen wrench.



4

To install the H-brace, first take the shorter bars and attach them to the legs, one on each end, using two bolts per leg and the Allen wrench, no washers required.



5

Next, take the long bar, and locate the center holes on the outside of the attached end bars. Fasten the long bar onto the two shorter bars with two bolts per end and the Allen wrench, no washers required.



6

Turn table over and insert the shelf over the H-brace to finish shelf assembly.



7

Check the assembly before use.

## Adjusting the Backrest

### Raise the Backrest

1. Raise the backrest by lifting up the section from the table to the appropriate position.
2. The backrest will lock in place automatically.

### Lower the Backrest

1. To lower the backrest, push down on the handle on the side of the table frame while supporting the backrest with your other hand.
2. Pushing down the handle will release the backrest lock, allowing the backrest to lower back down to the table.



## Upholstery Care

Use table sheets to protect the table and accessories during treatments.

Clean using a mild detergent.

Do not store the table in extremely cold or hot temperatures as cold may cause cracking while heat may cause stretching and puckering.

Keep the table away from heaters, electrical applications, direct sunlight, or inside of vehicles in hot or cold weather.

Protect the table from cuts, punctures, and abrasions from sharp objects, etc.

## Cleaning Instructions

Dilute a neutral detergent (pH 7 only) with warm water.

Dry the table with a towel before use.

Use a diluted solution of hypochlorite with cold water (mix at 10,000 ppm) to decontaminate the table.

**Caution:** Aggressive disinfectants, rubbing alcohol, exposure to extreme hot or cold temperatures, and improper use may cause damage to the upholstery.



## Maintenance & Servicing

Regular maintenance and servicing are recommended by a professional inspector to ensure the table complies with the required standards for the continual use of the table.

1. Visually inspect before each use for signs of damage and ensure all fasteners (nuts, bolts, screws, etc.) are present and secured properly.
2. Inspection and servicing should be performed regularly every 6 months of normal use. Increase the frequency of inspection and servicing in proportion to the frequency of use.
3. Check each section of the table top to ensure all sections are securely fastened to the supporting frame. Any loose fasteners should be tightened before use.



## Manufacturer's Limited Warranty


Boxout, LLC (dba BodyMed) ("BodyMed") warrants the Product to be free from manufacturing defects in workmanship and materials for the following parts and periods ONLY:

**2-Year Limited Warranty for the following parts only from the date of purchase:**

Frame (Upper Frame + Lower Frame)

BodyMed will, at its sole option, repair or replace, at its facility, Product not meeting the limited warranty above. Any Product replaced under this limited warranty shall become the property of BodyMed and such replacement Product shall be considered part of the original Product such that the limited warranty with respect to the replacement Product shall expire concurrently with the original Product's limited warranty.

This limited warranty is extended only to the purchaser who originally purchased the Product. It does not extend to any subsequent owner or other transferee of the Product. This limited warranty covers ONLY manufacturer's defects as expressly set forth above and DOES NOT cover wear and tear under normal usage, costs associated with maintenance, or damage caused by improper use or maintenance (including the use of abrasive or improper cleaning products), abuse, neglect, improper packaging or set up, damage in transit, storage, unauthorized repairs or modifications by anyone other than BodyMed's authorized employees or agents, or external causes such as accidents, abuse, or other actions or events beyond BodyMed's reasonable control.



This limited warranty is immediately voided and all liability of BodyMed shall immediately terminate with respect to any Product which has been disassembled, repaired or modified by anyone other than authorized employees or agents of BodyMed. The purchaser of the Product shall defend, indemnify and hold harmless Boxout, its affiliates and their agents from and against any claims, suits, losses, damages, liabilities, costs and expenses (including reasonable attorneys' fees) arising from improper or negligent use, misuse or operation of the Product in any manner inconsistent with this manual and all safety warnings and other instructions.

THIS LIMITED WARRANTY ABOVE IS THE SOLE AND EXCLUSIVE WARRANTY PROVIDED BY BODYMED, AND IS IN LIEU OF ALL OTHER WARRANTIES, REPRESENTATIONS OR GUARANTEES, EITHER EXPRESSED OR IMPLIED, INCLUDING WARRANTIES OF MERCHANTABILITY AND FITNESS FOR A PARTICULAR PURPOSE, ON ANY PRODUCT. THE SOLE REMEDY UNDER THIS LIMITED WARRANTY IS THE REPAIR OR REPLACEMENT OF DEFECTIVE PRODUCTS, AS SET FORTH ABOVE.





## Limitation of Liabilities

IN NO EVENT SHALL THE LIABILITY OF BODYMED OR ITS APPOINTED OR AUTHORIZED AGENTS OR DEALERS UNDER ANY CAUSE OF ACTION RELATING TO THE PRODUCT EXCEED THE ACTUAL AMOUNT PAID FOR THE PRODUCT BY THE ORIGINAL PURCHASER. NEITHER BODYMED NOR ITS APPOINTED AND AUTHORIZED AGENTS AND DEALERS SHALL BE LIABLE TO THE PURCHASER OR ANY OTHER PERSON FOR ANY DIRECT, INDIRECT, SPECIAL, INCIDENTAL, EXEMPLARY, PUNITIVE OR CONSEQUENTIAL DAMAGES OR LOSSES, INCLUDING, BUT NOT LIMITED TO, LOST PROFITS OR INCOME, LOSS OF USE, DELAYS, DOWNTIME, EMPLOYEE OR INDEPENDENT CONTRACTOR WAGES, PAYMENTS AND BENEFITS OR MEDICAL EXPENSES, WHETHER UNDER THE LIMITED WARRANTY PROVIDED ABOVE OR OTHERWISE, REGARDLESS OF THE FORM IN WHICH ANY LEGAL OR EQUITABLE ACTION THAT MAY BE BROUGHT AGAINST BODYMED OR ITS APPOINTED OR AUTHORIZED AGENTS OR DEALERS (E.G. CONTRACT, NEGLIGENCE OR OTHERWISE).

The purchaser of the Product may have other rights which vary from state to state. To the extent any or all of the foregoing disclaimers, exclusions, limitations, or other provisions set forth above are prohibited by any state or local law which cannot be preempted, those disclaimers exclusions, limitations, or other provisions of this limited warranty shall not apply to such purchaser.







## Treatment Tables

For Customer Support,  
Contact BodyMed® at  
**1-866-528-2152**

View Our Full Catalog of  
BodyMed® Products at  
**BodyMedProducts.com**

Manufactured for BodyMed® - Hudson, Ohio 44236