



BODYMED[®]

3 Section Hi-Lo Treatment Table



This manual contains important safety and instruction information. It must be read before using this product. Failure to read and comply with the information contained in this manual may lead to serious bodily injury, including death.

ISO9001 Certified
ISO13485 Certified

Table of Contents

Product Introduction.....	3
Warnings, Cautions, & Safety Instructions	4
Operation Instructions.....	5
Cleaning, Maintenance & Troubleshooting	6
Servicing Instructions.....	7
Regulation Compliance.....	14
Label Index.....	15
Technical Specifications	17
Manufacturer’s Limited Warranty	18
Limitation of Liabilities	19

Product Introduction

Please read the following instructions carefully before use. Improper use of this product, or failure to follow these warnings and instructions, may result in serious bodily injury, including death.

The BodyMed® 3 Section Hi-Lo Treatment Table offers practitioners dependable, high-quality support for various treatments and therapies. Featuring a sleek, stylish design, this versatile electric hi-lo treatment table includes three sections constructed to withstand heavy manipulation supported by an impact-resistance steel frame. Included with the table are gas struts that easily adjust the moveable top sections of the table. Additional features include foot levers, hand levers, a contoured face opening, and a cushioned face plug. This treatment table has a maximum weight capacity of 496 lb. (225 kg); is ADA compliant; is cushioned with a 2-in., high-density foam covered in durable vinyl upholstery; and features seamless, rounded corners.

Features

- Sleek, stylish design
- ADA compliant
- Heavy-duty steel frame
- Adjustable head section
- Adjustable leg section
- Contoured face opening
- Cushioned face plug
- Hand and foot levers
- Four (4) retractable casters with activator levers
- Four (4) leveling feet
- 2-in. high-density foam top
- Seamless, rounded corners
- Vinyl upholstery
- Color: Blue or black

Product Specifications

- Maximum Weight Capacity: 496 lb. (225 kg)
- Minimum Height: 18 in. (460 mm)
- Maximum Height: 36 in. (910 mm)
- Head Section Length: 16 in. (410 mm)
- Mid Section Length: 25 in. (640 mm)
- Leg Section Length: 33 in. (850 mm)
- Total Length: 77 in. (1,955 mm)
- Table Width: 27 in. (700 mm)
- Head Tilt Angles: -30° to +80°
- Leg Tilt Angles: 0° to +80°

This manual contains important safety and instruction information. It must be read before using this product. Failure to read and comply with the information contained in this manual may lead to serious bodily injury, including death.

Warnings, Cautions, & Safety Instructions

Please read the following instructions carefully before use. Improper use of this product, or failure to follow these warnings and instructions, may result in serious bodily injury, including death.

Warnings

- Do not sit on the head or foot sections as this may exceed the weight rating for those sections and cause serious bodily injury, including death, and damage.
- Do not use electric tables in the presence of flammable gases.
- Do not exceed the recommended weight limit of the table.
- Users under 18 need adult supervision when using this table.
- The power cord must be securely plugged into a wall outlet.
- Do not use sharp objects with the table.
- Refrain from any instances that could cause damage or failure of the equipment in use.

Cautions

- Avoid trapping any cables or power cords beneath the table.
- Ensure the table is level before use by adjusting the leveling feet attached to each leg of the table.
- Keep body parts away from any metal parts of the table during electrotherapy.
- Keep limbs clear of the table when moving the table itself or sections of the table.
- Understand how to operate the table before use to avoid unintended adjustment or movement of the table and its sections when in use.

Safety Instructions

1. Read this manual before use.
2. Only operate this table under the supervision of a licensed practitioner.
3. Only use the original accessories manufactured by BodyMed® for this table.
4. Do not use in a “wet room,” or room for hydrotherapy.
5. Keep away from direct heat and/or fire.

NOTE:

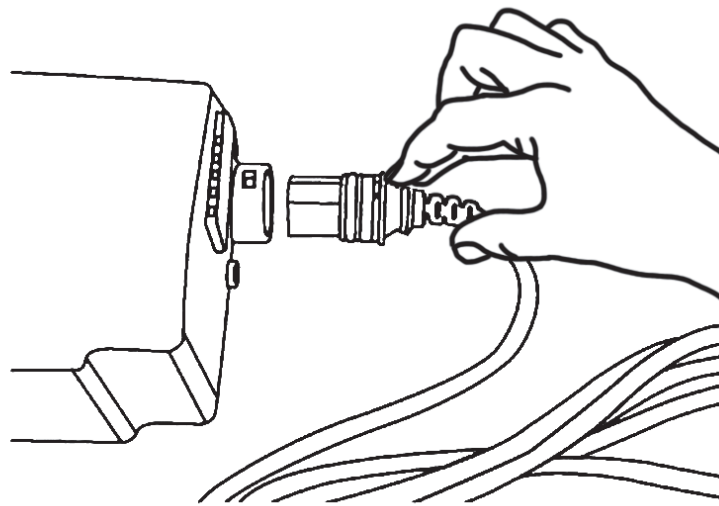
This table may be subjected to regulation by the U.S. Food and Drug Administration (FDA) and state and local regulatory agencies. A prescription may be required for the purchase and use of this item.

Operation Instructions

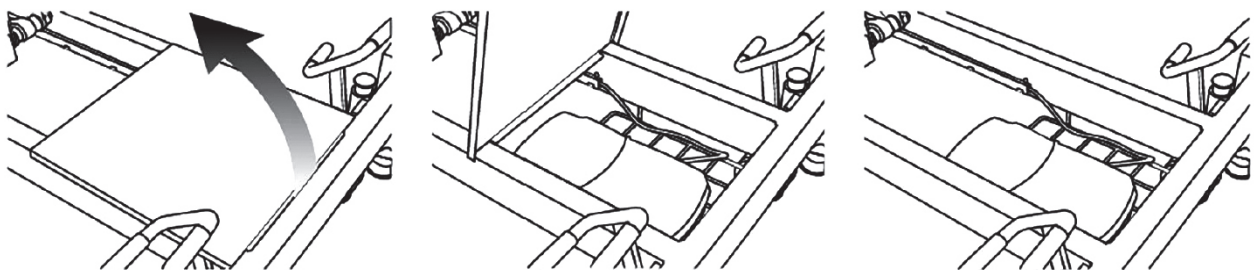
Installation Instructions

The BodyMed® 3 Section Hi-Lo Treatment Table is ready for immediate use. The following installation instructions are designed for cleaning the table or replacing parts.

Plug the power cable connector into the control box module.



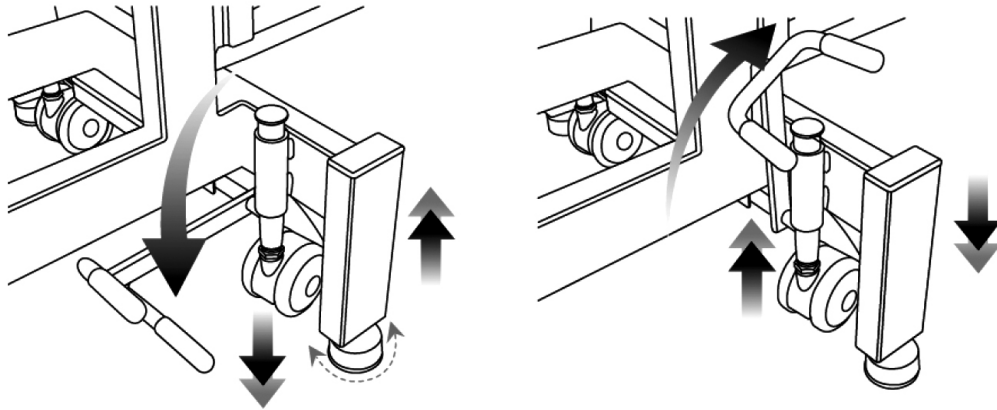
This table is equipped with a control box module placement tray at the bottom of the table frame. The control box module may be laid flat on the meshed tray and covered with the provided metal cover.



Leveling & Moving Instructions

The BodyMed® 3 Section Hi-Lo Treatment Table features casters on the legs of the table. When the front and rear casters are in the “drop down” position, the table can be moved.

1. To “drop down” the casters, step down on the caster activator levers at the front and rear of the table.
2. Ensure there is clearance for the casters to move properly by screwing the leveling foot up.
3. When the table is in position, lift up the caster activator levers by hooking up with your foot.
4. Then level or stabilize the table. Use the adjustable leveling foot per leg.
 - Turn the leveling foot counterclockwise to raise the leveling foot.
 - Turn the leveling foot clockwise to drop the leveling foot.
5. When the casters are lifted, the table frame will drop, allowing the leveling foot to take the complete table weight.

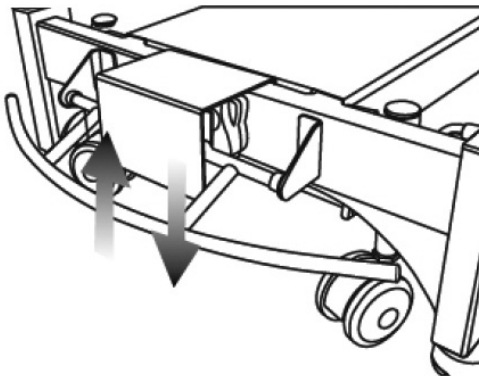


Hi/Lo (Up/Down) Motorized Adjustment Instructions

To operate the hi/lo (up/down) motorized action, first ensure the plug is plugged into a wall outlet.

Elevating Bar (2, 3, 4 Sides)

- Lift Up Table Top: Step down on one of the 3 side bars.
- Drop Down Table Top: Hook your foot up on one of the 3 side bars.



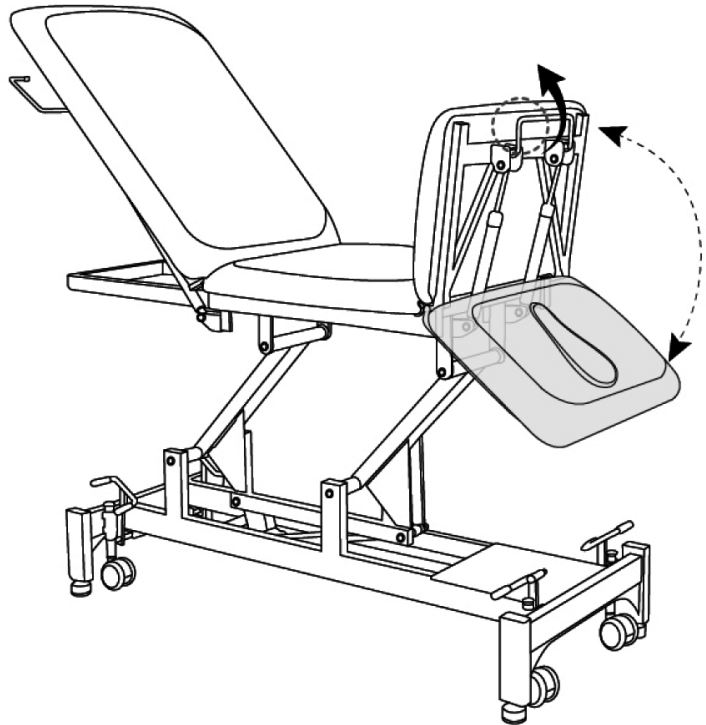
Head Section Instructions

Raise the Head Section

- Activate the gas strut by squeezing the lever at the top of the head section, which will cause the section to rise automatically.

Lower the Head Section

- Active the gas strut by squeezing the lever at the top of the head section, then press down on the table top with your free hand to lower the table.



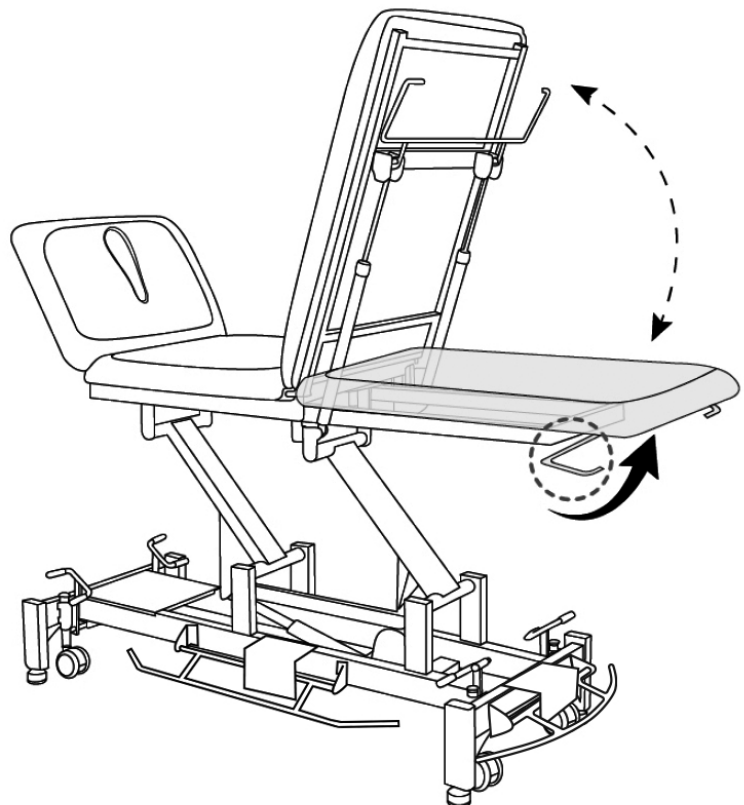
Leg Section Instructions

Raise the Leg Section

- Activate the gas strut by squeezing either lever on the sides of the leg section underneath the table top, which will cause the section to rise automatically.

Lower the Leg Section

- Active the gas strut by squeezing either lever on the sides of the leg section, then press down on the table top with your free hand to lower the table.



Cleaning Instructions

1. Unplug the table from the wall outlet. Failure to do so may result in serious bodily injury, including electrocution and death.
2. Move the table to a cleaning area if necessary.
3. Dilute a neutral detergent (pH 7 only) with warm water.
4. Clean the hand and foot controls with alcohol wipes.
5. Dry the table with a towel before use.
6. Use a diluted solution of hypochlorite with cold water (mix at 10,000 ppm) to decontaminate the table.

Maintenance & Servicing

Regular maintenance and servicing are recommended by a professional inspector to ensure the table complies with the required standards for the continual use of the table. All electrical servicing and maintenance must be performed by a qualified professional. Blue or brown wires must not be connected to the ground wire.

1. Unplug the table from the wall outlet. Failure to do so may result in serious bodily injury, including electrocution and death.
2. Visually inspect before each use for signs of damage and ensure all fasteners (nuts, bolts, screws, etc.) are present and secured properly. Do not overtighten fasteners as this may cause binding between components and/or shaking.
3. Inspection and servicing should be performed regularly every 6 months of normal use. Increase the frequency of inspection and servicing in proportion to the frequency of use.
4. Check each section of the table top to ensure all sections are securely fastened to the supporting frame. Any loose bolts or screws should be tightened before use.
5. Check the gas struts underneath the table top to ensure each section moves smoothly. The table top should be locked once the release lever is released.
6. Check all cables connected for cuts or signs of wear/deterioration.
7. Check the connectors to the control box from the actuator to ensure they are secured in their correct socket; check the main power cord is plugged into the main wall socket.

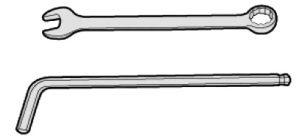
Troubleshooting

Issues	Solution
The table top does not move or operate when: <ol style="list-style-type: none">1. The main power cord is connected securely to the socket and outlet, and2. All cables are connected correctly and securely to the control box.	<ol style="list-style-type: none">1. Check if you see a constant green light on the control box when the power cord is plugged into the wall. If not, the power cord may not be plugged in securely, or there may be a possible control box issue. If the latter, the control box may need to be replaced.2. Check if there is a clicking sound from the control box when the foot levers are pressed up or down. If yes, the actuator is not working and may need to be replaced.

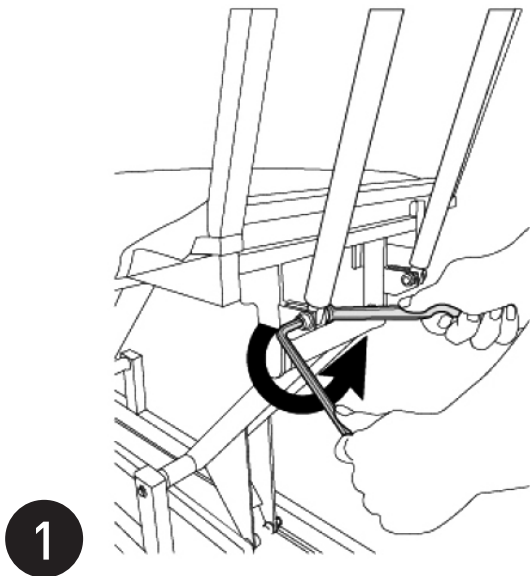
Servicing Instructions

Required Tools

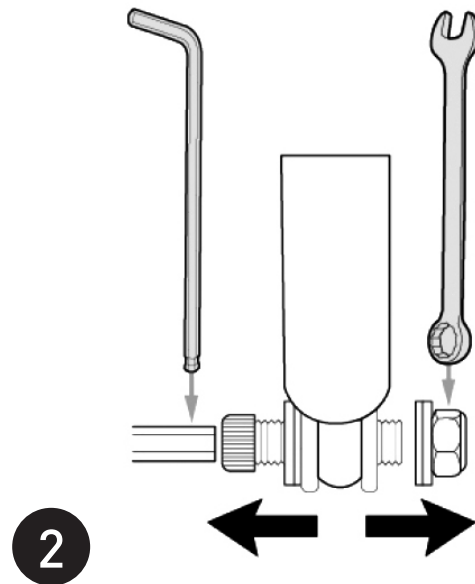
- Wrench 11/16 in. (17 mm)
- Hex Allen Key 3/8 in. (10 mm)



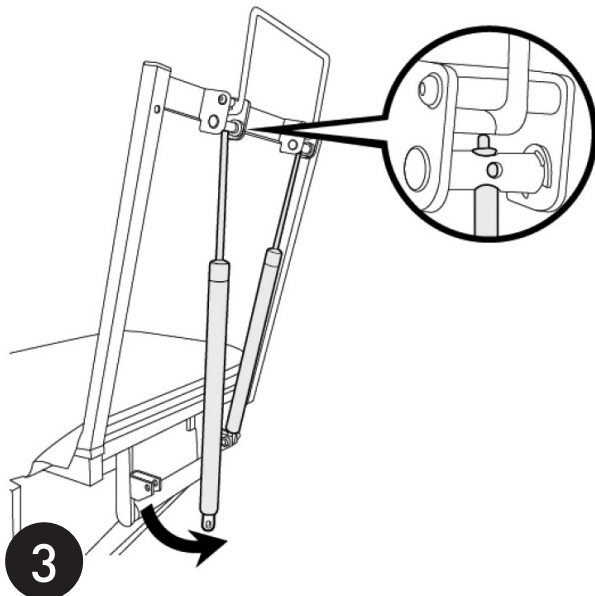
Dismantling a Gas Strut



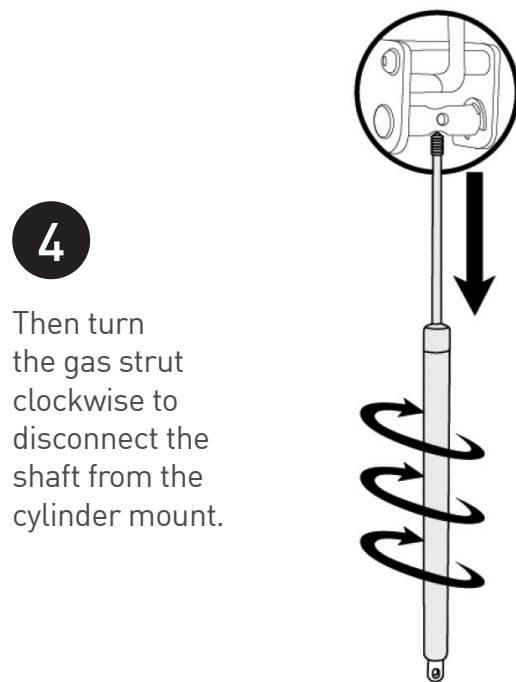
1 Unmount the gas strut with a wrench and Allen key (hex screwdriver).



2 Then unscrew the bolt and nut with a wrench and Allen key.



3 Move the gas strut out of the mounting piece from the bottom.

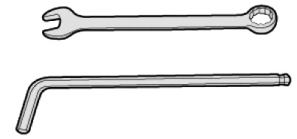


4 Then turn the gas strut clockwise to disconnect the shaft from the cylinder mount.

Servicing Instructions

Required Tools

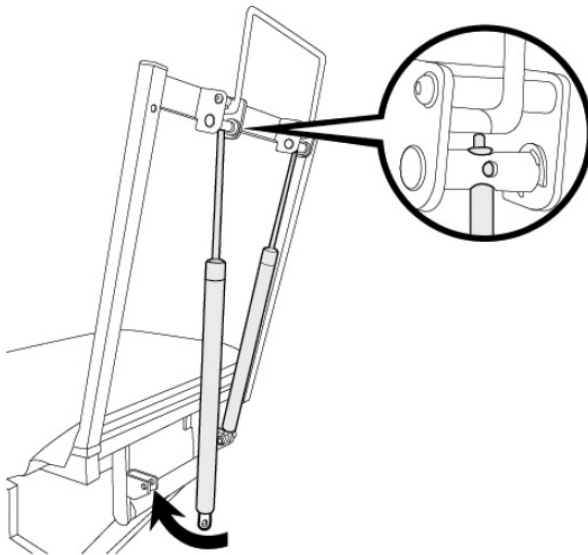
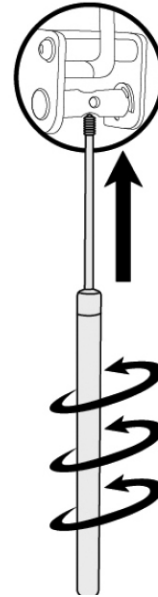
- Wrench 11/16 in. (17 mm)
- Hex Allen Key 3/8 in. (10 mm)



Installing a Gas Strut

1

Insert the shaft end of a gas strut with the trigger into the cylinder mounting hole, then turn the gas strut counterclockwise until the trigger tip touches the lever's end.

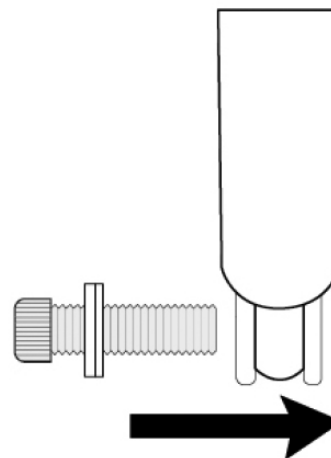


2

Move the gas strut into the mounting piece at the bottom, then align the holes before inserting the bolt.

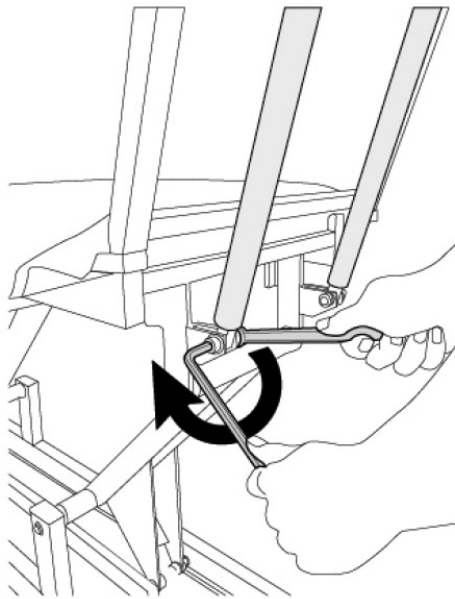
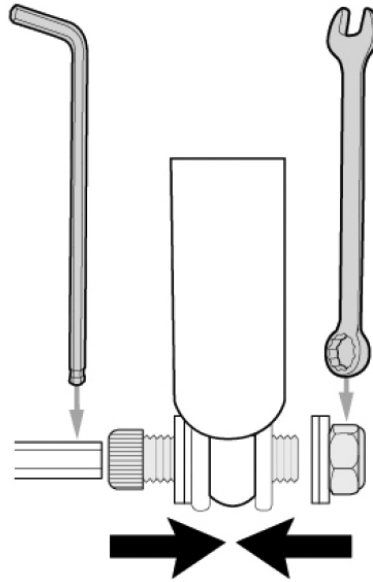
3

Insert the bolt with 1 washer into the table mount, then through the gas strut mount.



4

At the other end, insert 1 washer before tightening the nut.

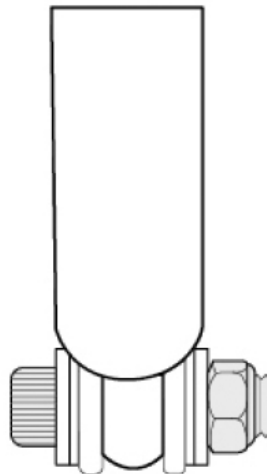


5

Tighten until the bolt is flush to the mount. Do not overtighten the bolt as it will restrict required movement and prevent a smooth operation.

6

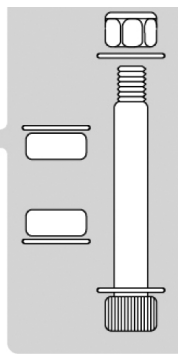
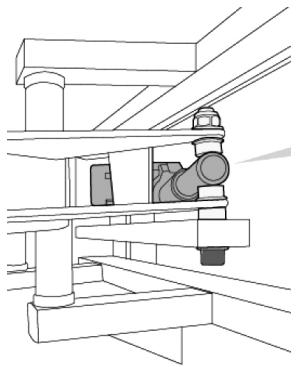
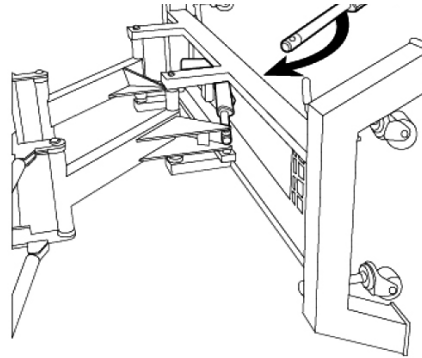
The bolt and nut should only be flush to the mount.



Replacing the Linear Actuator

1

With the help of another person, flip the table onto its side.

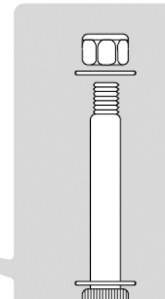
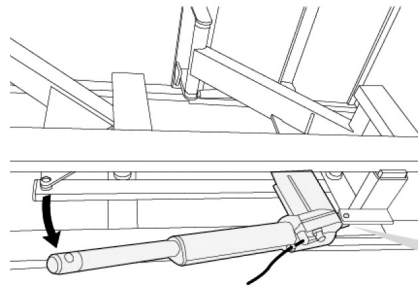


2

First, unscrew the bolt and nut at the shaft end. Note the arrangement of the bolt, nut, washer, and Nylon spacer for future installation.

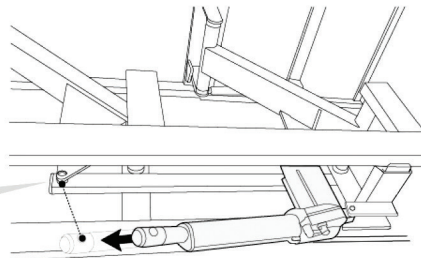
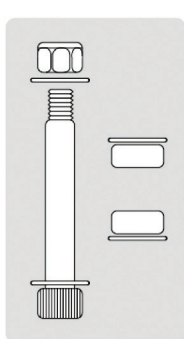
3

Next, unscrew the bolt and nut at the motor end.



4

When replacing a new actuator, first bolt on the actuator mount from the motor end. Connect the actuator to the control box and begin to operate by adjusting the foot levers. Stop when the shaft end reaches and aligns with the pivot mounting hole of the twin pillars. Lastly, insert the bolt, washer, Nylon spacer, and nuts, then tighten until the nut is only flush with the mount.



Regulation Compliance









Safety	ANSI/AAMI ES 60601-1 CAN/CSA-C22.2 No. 606061-1 EN IEC 60601-1 Medical Electrical Equipment - Part 1: General Requirements for Basic Safety and Essential Performance
EMC	EN IEC 60601-1-2 Medical Electrical Equipment - Part 1-2: General Requirements for Basic Safety and Essential Performance - Collateral Standard: Electromagnetic Compatibility - Requirements and Tests
Static Loading Force	EN IEC606061-2-52 Part 2-52: Particular Requirements for the Basic Safety and Essential Performance of Medical Tables, Beds, or Couches
Gas Spring (Strut)	Drop Test-Dynamic Functional Load Impact Test-Cyclic
Ignitability & Flammability (Optional)	BS 7176: Specification for resistance to ignition of upholstered furniture for non-domestic seating by testing composites <ul style="list-style-type: none"> a. BS EN 1021-1: Furniture. Assessment of the ignitability of upholstered furniture. Ignition source smoldering cigarette. b. BS EN 1021-2: Furniture. Assessment of the ignitability of upholstered furniture. Ignition source match flame equivalent. c. BS 5852: Methods of test for assessment of the ignitability of upholstered seating by smoldering and flaming ignition sources State of California: Department of Consumer Affairs (DCA) <ul style="list-style-type: none"> a. TB117 - Requirements, Test Procedure and Apparatus for Testing the Smolder Resistance of Materials Used in Upholstered Furniture b. TB133 - Flammability Test Procedure for Seating Furniture for Use in Public Occupancies
Antimicrobial Activity Test	ASTM G 21-09: Standard Practice for Determining Resistance of Synthetic Polymeric Materials to Fungi
Phthalate	EN 14371: Child use and care articles - Cutlery and feeding utensils - Safety requirements and tests
Enclosure Protection of Control Box	IEC60529: Degrees of Protection Provided by Enclosure
Caster Wheel of Hospital Bed	BS EN12531: Casters and Wheels - Hospital Bed Casters

Label Index












Identification Labels

The Safety Label (CE Label) appears on the upper frame. This label includes the following: Manufacturer, Serial Number, Model Number, Input Voltage, and Max. Operational Load.

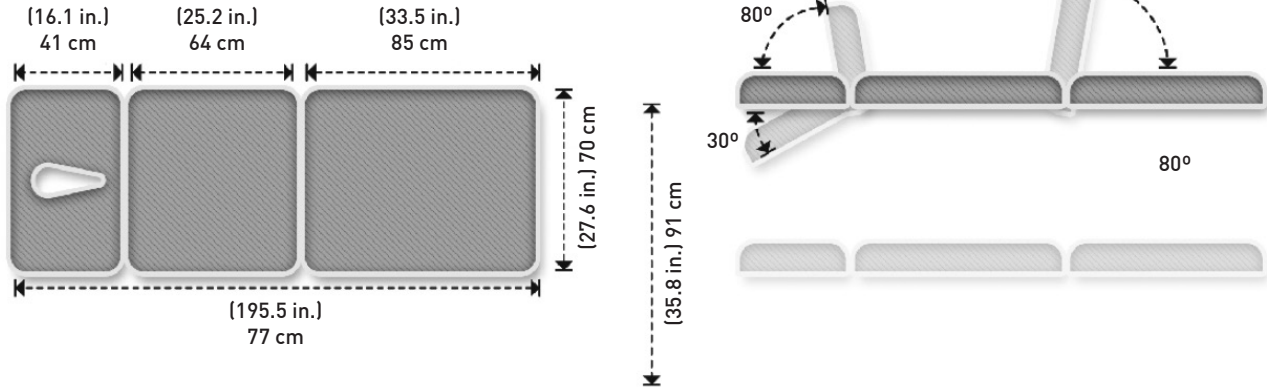


Model No	: TC1-S3NB-2	IP54	 <small>RECOGNIZED COMPONENT</small>  <small>INTERTEK</small>
Input	: 100-240VAC, 50/60Hz, 2000mA		
Output	: 32V $\overline{\text{---}}$, 80VA		
Duty cycle	: max.10%, 2 min. ON/18 min. OFF		
CERTIFIED TO AAMI /CSA/IEC/EN STD			
AAMI ES 60601-1, CSA-C22.2 NO.60601-1,			
IEC 60601-1, EN 60601-1			
MADE IN CHINA	     		
Part No.	TC1-2188-001		
Spec code.	TC1-4A22-A220-60		

The Control Box Label appears on the Control Box, located at the bottom frame beneath the head section. This label includes the following: Manufacturer of this Control Box, Model Number, Serial Number, Input Voltage, Output Voltage, Duty Cycle, Part Number, Spec Code, Caution Marking, and Country of Origin.

	Degree of Protection Provided by Enclosures (IP Code)
	Refer to Instruction Manual (Booklet)
	Class II Equipment (Double Insulation)
	CE Marking for Table That Complies with CD MDD
	Caution: Read Instruction, Warnings, & Cautions
	For Indoor-Use Only
	WEEE Symbol: This symbol reflects the European Union Directive on Waste Electrical and Electronic Equipment (WEEE). Under such Directive, this WEEE symbol requires you as the end user to dispose of any WEEE separately by bringing it to your nearest collection facility.
	Safety Logo of the Certified Bodies (ETL, U.S.A.)
	Operation Instructions
	Degree of Electrical Protection Type B
	Safe Working Load Symbol

Technical Specifications



Measurement & Technical Data

Minimum Height	18.11 in./460 mm
Maximum Height.....	35.83 in./910 mm
Table Top Width.....	27.56 in./700 mm
Head Section Length.....	16.14 in./410 mm
Mid Section Length	25.19 in./640 mm
Leg Section Length	33.46 in./850 mm
Total Length	76.97 in./1,955 mm
Head Tilt Angles.....	-30° to +80°
Leg Tilt Angles	0° to +80°
Lift Mechanism	Electric
Contoured Face Opening	1
Retractable Casters	4
Weight Rating (Max. Load).....	496 lb./225 kg
Net Weight	173 lb./78.55 kg
Gross Weight.....	200 lb./91 kg.
Package Dimension	80 in. x 30 in. x 20 in./202 cm x 75 cm x 52 cm/

Electric Data

Control Box Input Voltage & Rating.....	100~200 VAC, 50/60 Hz, 2A
Control Box Output Voltage	DC 32 V, 80 VA
Actuator Input Voltage	DC 24 V
Duty Cycle	Max. 10% 2 min. ON/18 min. OFF
Max. Load.....	Push 8000 N
Max. Current	Max. 6 A

Environmental Conditions

Operation Temperature:	10°~40°
Operation Relative Humidity:	30%~90%
Transport & Storage Temperature:	0°~70°
Transport & Storage Relative Humidity:	10%~100%

Certified to AAMI/CSA/IEC/EN STD
 AAMI ES 60601-1, CSA-C22.2 NO. 60601-1
 IEC 60601-1, EN 60601-1

The electrical components used are approved by IEC 60601-1.

Manufacturer's Limited Warranty

Boxout, LLC (dba BodyMed) ("BodyMed") warrants the Product to be free from manufacturing defects in workmanship and materials for the following parts and periods ONLY:

1 Year Limited Warranty for the following parts only from the date of purchase:

- (a) Upholstery
- (b) Castors
- (c) Leveling Foot Mechanism
- (d) Gas Struts

2 Year Limited Warranty for the following parts only from the date of purchase:
Motorized Actuator, Control Box.

3 Year Limited Warranty for the following parts only from the date of purchase:
Frame (Upper Frame + Twin Pillars + Lower Frame)

BodyMed will, at its sole option, repair or replace, at its facility, Product not meeting the limited warranty above. Any Product replaced under this limited warranty shall become the property of BodyMed and such replacement Product shall be considered part of the original Product such that the limited warranty with respect to the replacement Product shall expire concurrently with the original Product's limited warranty.

This limited warranty is extended only to the purchaser who originally purchased the Product. It does not extend to any subsequent owner or other transferee of the Product. This limited warranty covers ONLY manufacturer's defects as expressly set forth above and DOES NOT cover wear and tear under normal usage, costs associated with maintenance, or damage caused by improper use or maintenance (including the use of abrasive or improper cleaning products), abuse, neglect, improper packaging or set up, damage in transit, storage, unauthorized repairs or modifications by anyone other than BodyMed's authorized employees or agents, or external causes such as accidents, abuse, or other actions or events beyond BodyMed's reasonable control.

This limited warranty is immediately voided and all liability of BodyMed shall immediately terminate with respect to any Product which has been disassembled, repaired or modified by anyone other than authorized employees or agents of BodyMed. The purchaser of the Product shall defend, indemnify and hold harmless Boxout, its affiliates and their agents from and against any claims, suits, losses, damages, liabilities, costs and expenses (including reasonable attorneys' fees) arising from improper or negligent use, misuse or operation of the Product in any manner inconsistent with this manual and all safety warnings and other instructions.

THIS LIMITED WARRANTY ABOVE IS THE SOLE AND EXCLUSIVE WARRANTY PROVIDED BY BODYMED, AND IS IN LIEU OF ALL OTHER WARRANTIES, REPRESENTATIONS OR GUARANTEES, EITHER EXPRESSED OR IMPLIED, INCLUDING WARRANTIES OF MERCHANTABILITY AND FITNESS FOR A PARTICULAR PURPOSE, ON ANY PRODUCT. THE SOLE REMEDY UNDER THIS LIMITED WARRANTY IS THE REPAIR OR REPLACEMENT OF DEFECTIVE PRODUCTS, AS SET FORTH ABOVE.

Limitation of Liabilities

IN NO EVENT SHALL THE LIABILITY OF BODYMED OR ITS APPOINTED OR AUTHORIZED AGENTS OR DEALERS UNDER ANY CAUSE OF ACTION RELATING TO THE PRODUCT EXCEED THE ACTUAL AMOUNT PAID FOR THE PRODUCT BY THE ORIGINAL PURCHASER. NEITHER BODYMED NOR ITS APPOINTED AND AUTHORIZED AGENTS AND DEALERS SHALL BE LIABLE TO THE PURCHASER OR ANY OTHER PERSON FOR ANY DIRECT, INDIRECT, SPECIAL, INCIDENTAL, EXEMPLARY, PUNITIVE OR CONSEQUENTIAL DAMAGES OR LOSSES, INCLUDING, BUT NOT LIMITED TO, LOST PROFITS OR INCOME, LOSS OF USE, DELAYS, DOWNTIME, EMPLOYEE OR INDEPENDENT CONTRACTOR WAGES, PAYMENTS AND BENEFITS OR MEDICAL EXPENSES, WHETHER UNDER THE LIMITED WARRANTY PROVIDED ABOVE OR OTHERWISE, REGARDLESS OF THE FORM IN WHICH ANY LEGAL OR EQUITABLE ACTION THAT MAY BE BROUGHT AGAINST BODYMED OR ITS APPOINTED OR AUTHORIZED AGENTS OR DEALERS (E.G. CONTRACT, NEGLIGENCE OR OTHERWISE).

The purchaser of the Product may have other rights which vary from state to state. To the extent any or all of the foregoing disclaimers, exclusions, limitations, or other provisions set forth above are prohibited by any state or local law which cannot be preempted, those disclaimers, exclusions, limitations, or other provisions of this limited warranty shall not apply to such purchaser.

NOTE:

For more information on the Product, including its safety instructions, warnings, warranties, and disclaimers, please see our website at: BodyMedProducts.com



BODYMED[®]

3 Section Hi-Lo Treatment Table

For Customer Support,
Contact BodyMed[®] at **1-866-528-2152**

View Our Full Catalog of BodyMed[®] Products
at **BodyMedProducts.com**

Manufactured for BodyMed[®] - Hudson, Ohio 44236