

LOWTEMP

THE OSPREY 75

The Handwasher's, Washing Machine

UP TO
186LBS
A DAY

DIMENSIONS

64" X 33 1/8" X 45 1/8"

FITS THROUGH STANDARD
DOORWAYS

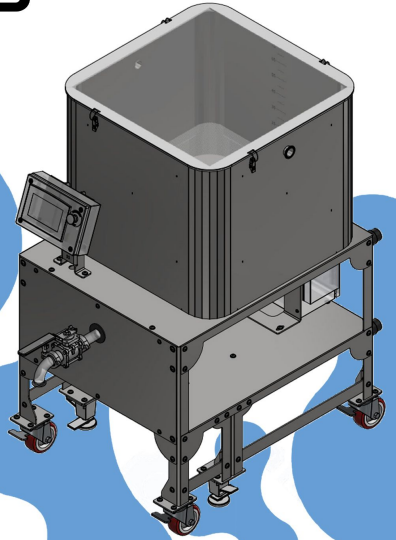
WEIGHT

800LBS DRY
1,424LBS FULL

POWER
DRAW
110V 6 AMP
CONTINUOUS

CAPACITY

75 GALLONS
21,000 FFG OR
4,200 G DRY



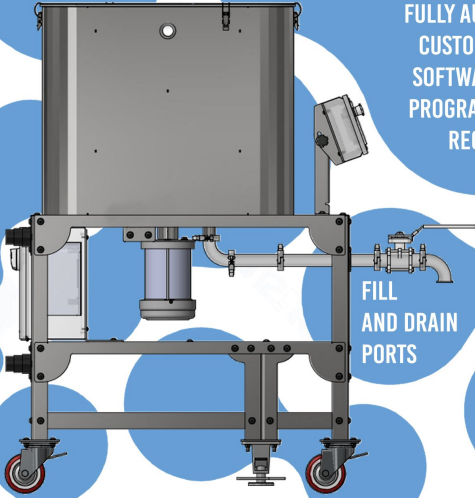
MODULAR
DESIGN

GLYCOL
CHILLED VESSEL
OPTION*

FULLY AUTOMATED
CUSTOMIZABLE
SOFTWARE WITH
PROGRAMMABLE
RECIPES

MONOLITHIC
NO-SHEAR
IMPELLER

CUSTOM FITTED
FALSE BOTTOM



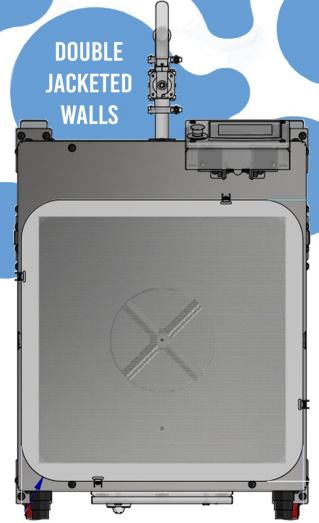
FILL
AND DRAIN
PORTS

304
STAINLESS
STEEL

FULL
WASHDOWN
RATED FOR EASY
CLEANING

FDA
APPROVED
FOOD GRADE
SANITARY
WELDS

DOUBLE
JACKETED
WALLS



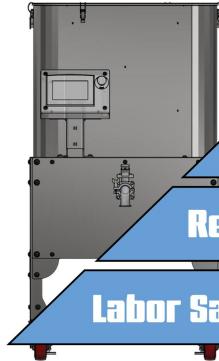
Glycol Chilled Vessels require a Chiller Unit that is not included

ROI and Pricing

The daily capacity of the Lowtemp OSPREY is 185lbs+ of fresh frozen flower, producing up to 12lbs of solventless water hash per day, with just one employee. Gentle enough to produce very high quality water hash; powerful enough to wash and entire harvest in a day.

The figures below are based on industry averages and our own in-lab tests

| | Handwashing | Osprey |
|-------------------------------------|-------------|--------------|
| Persons Required | 2 | 1 |
| Max Capacity | 5000g | 21000g |
| Washes per Day | 3 | 4 |
| Daily Yield Rosin (3-7%) | 450-1,050g | 2,520-5,880g |
| Daily Yield Melt (4-9%) | 600-1,350g | 3,360-7,560g |
| Daily avg Revenue (Rosin \$37.50/g) | \$28,125 | \$157,506 |
| Daily avg Revenue (Melt \$22.50/g) | \$21,937 | \$122,850 |



Up to 21,000g Capacity

Fully Automated Operation

Reduces Ice Usage by up to 80%

Labor Savings up to 75% or \$90,000/yr



DECREASE LABOR COSTS
BY UP TO 75%



DECREASE ICE CONSUMPTION
BY UP TO 80%



IMPROVE TEMPERATURE
CONTROL



INCREASE PRODUCTION
RATE BY 400%



OPTIMIZE EFFICIENCY
WITH FULL AUTOMATION

LOWTEMP

THE NEST

The Osprey's Partner in Crime

DIMENSIONS

23" X 27" X 83"
FITS THROUGH STANDARD
DOORWAYS AND
UNDER OSPREY

22%
SAVINGS
IN LABOR.

WEIGHT

250 LBS DRY
850 LBS FULL

CAPACITY

85 GALLONS

SLOPED
FLOOR TO
1.5" SANITARY
TRI CLAMP
DRAIN

DUAL CAN
WASH PORT
OPTION*

REDUCES
FATIGUE AND RISK OF
INJURY ASSOCIATED
WITH LIFTING TO
RECYCLE WATER

SLOT FOR
32 GALLON BAGS
WITH CLEATS

QUICK SNAP
STABILITY LOCKS
INTO OSPREY

PASSIVATED
304
STAINLESS
STEEL

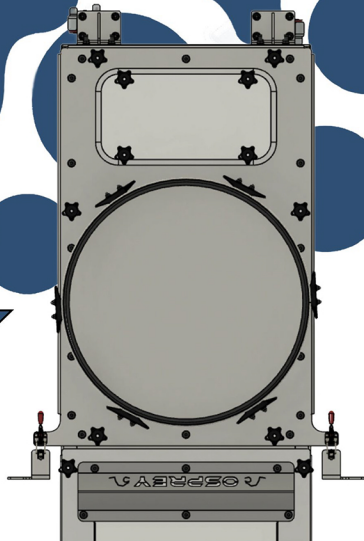
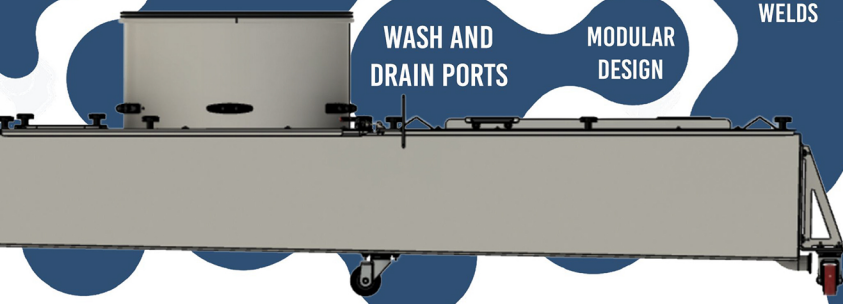
ADJUSTABLE
360°
LOCKING
CASTERS

UTILIZES
SPACE THE OSPREY ALREADY
USES, INCREASING SPACE
EFFICIENCY IN TIGHT
SPACES

FOOD GRADE
SANITARY
WELDS

WASH AND
DRAIN PORTS

MODULAR
DESIGN



Dual Can Nests include additional costs and considerations

ROI and Pricing

- This ROI was ran with the following understandings:
- Water cost at .0083/gallon - Energy Cost at \$0.22/Kwh
 - 8 hr work days - 23 work days/month - 276 work day/year - Labor averaged at \$25/hr
 - 8.33 BTU required for every 1F degree change.
 - We did not account for production loss in efficiency due to loss in 8hr shift.
 - Sustaining of chilled water is not calculated.
 - Chiller efficiencies calculated at 100%, however realistically chillers are somewhere in the 70% range and ice machines to chill the water via ice would actually be between 55-60%.
 - Estimates in energy usage to be between 30-40% higher depending on equipment selection.

85 Gallon Capacity

Fully Automated Recycling

Passivated 304 Stainless Steel

Total Savings of up to \$13,025 Per Year!

| | Waste Water | Recycle with Nest | First Year Savings |
|----------------------------------|------------------------|-----------------------|--------------------|
| Water Per Day (4 Washes) | 960 Gal | 240 Gal | |
| Water Cost Per Day | | \$15.93 | \$3.98 |
| Water Cost Per Year | | \$4,392 | \$1,098 |
| Energy Per Day (4 Washes) | 255,896 BTU 74.992 Kwh | 63,974 BTU 18.748 Kwh | \$3,298 |
| Energy Cost Per Day | | \$17.00 | \$4.26 |
| Energy Cost Per Year | | \$4,398 | \$3,517 |
| Filling Labor Per Day (4 Washes) | 2.66 Hrs | 0.8 Hrs | |
| Filling Labor Cost Per Day | | \$32.50 | \$10.00 |
| Filling Labor Cost Per Year | | \$8,970.00 | \$2,760 |
| | | Total Savings | \$13,025 |

57 KWH SAVED PER DAY. 15,732 KWH/YEAR.

THAT'S ENOUGH TO POWER YOUR AVERAGE HOUSEHOLD FOR 16 MONTHS, JUST RECYCLING YOUR WATER!
UP TO 397,440 GALLONS PRESERVED EVERY YEAR WHEN RECYCLING WATER.
THATS ENOUGH WATER TO FILL 32 AVERAGE SIZE SWIMMING POOLS!

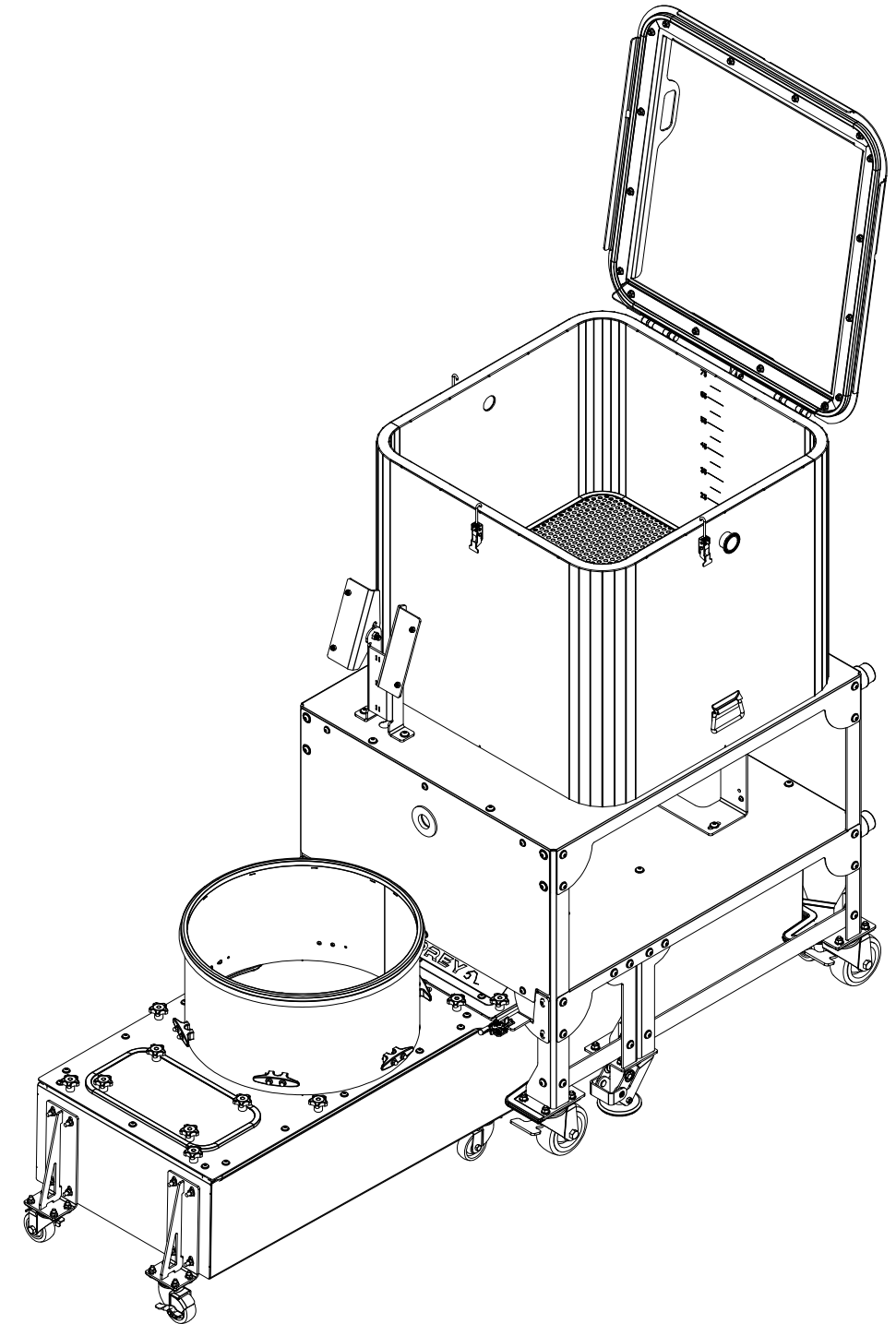
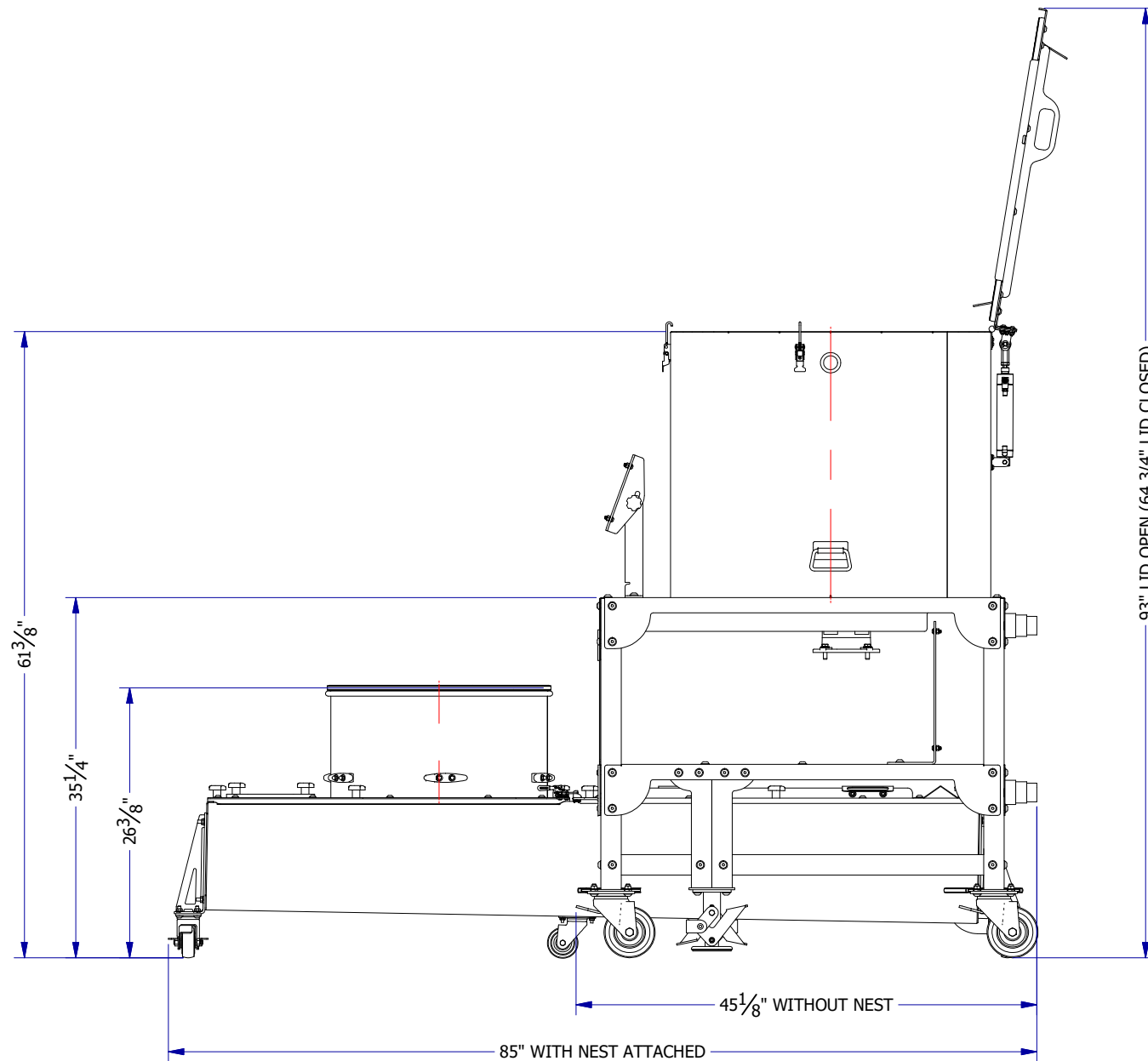
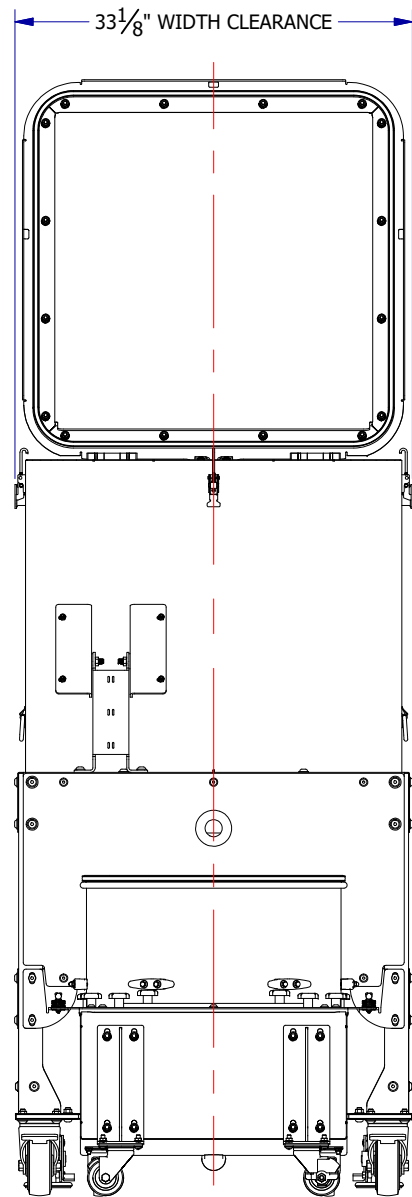
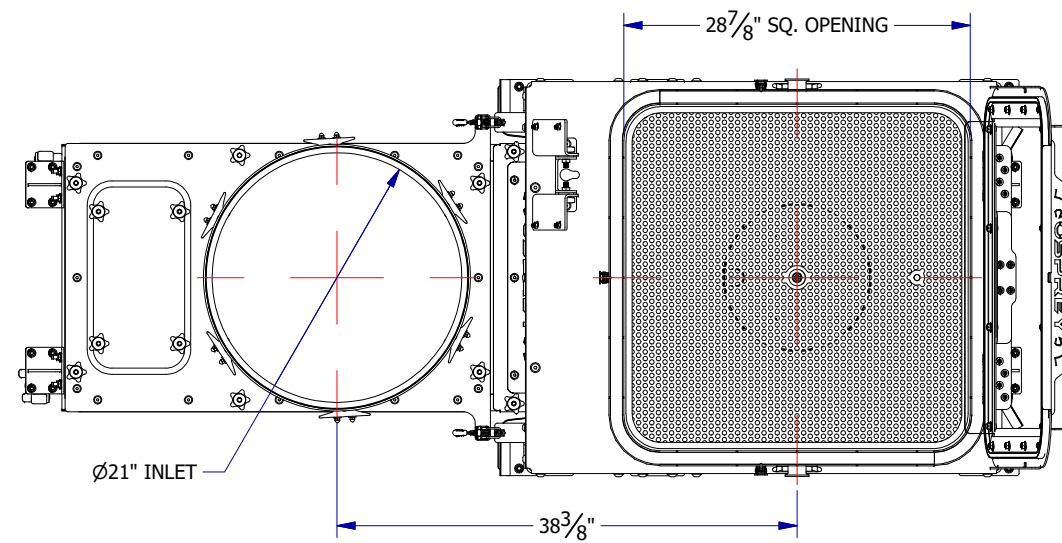
↑
IMPROVE TEMPERATURE
CONTROL

↓
DECREASE LABOR COSTS
BY UP TO 22%

↑
INCREASE PRODUCTION
RATE BY 15%

↓
DECREASE FATIGUE AND
RISK OF INJURY

↑
OPTIMIZE EFFICIENCY
WITH FULL AUTOMATION



Lowtemp Industries, LLC
 The Osprey
 The Nest
 316-308-7441

Support@lowtemp-plates.com

*Optional Nest Configuration Shown