

LOWTEMP

THE OSPREY 7S

The Handwasher's, Washing Machine

DIMENSIONS

58" X 31" X 61"

FITS THROUGH STANDARD DOORWAYS

UP TO 186 LBS A DAY

POWER DRAW

110V 5 AMP CONTINUOUS

CAPACITY

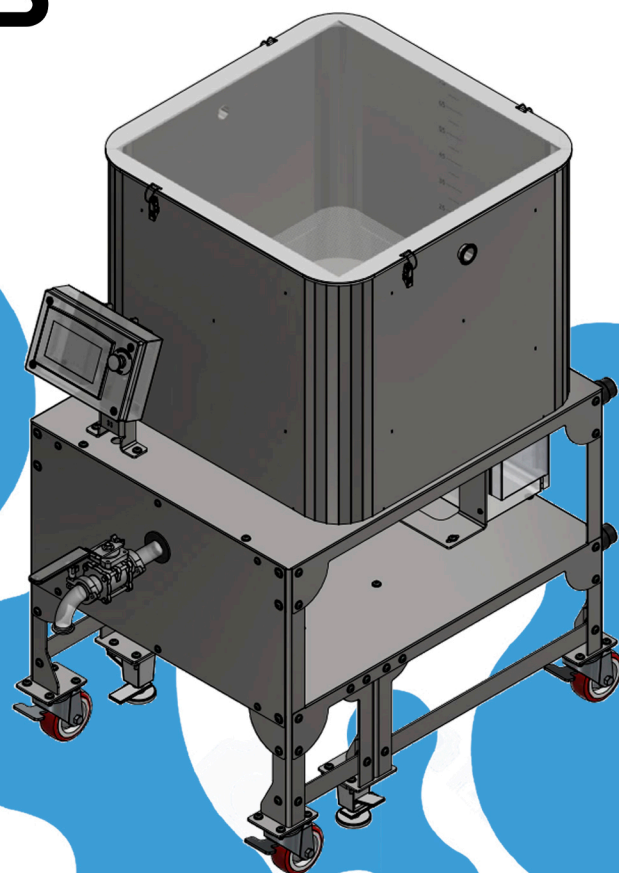
75 GALLONS
21,000 FFG OR
4,200 G DRY

WEIGHT

800 LBS DRY
1,424 LBS FULL

GLYCOL CHILLED VESSEL OPTION*

FULLY AUTOMATED
CUSTOMIZABLE
SOFTWARE WITH
PROGRAMMABLE
RECIPES



MODULAR DESIGN

MONOLITHIC IMPELLER

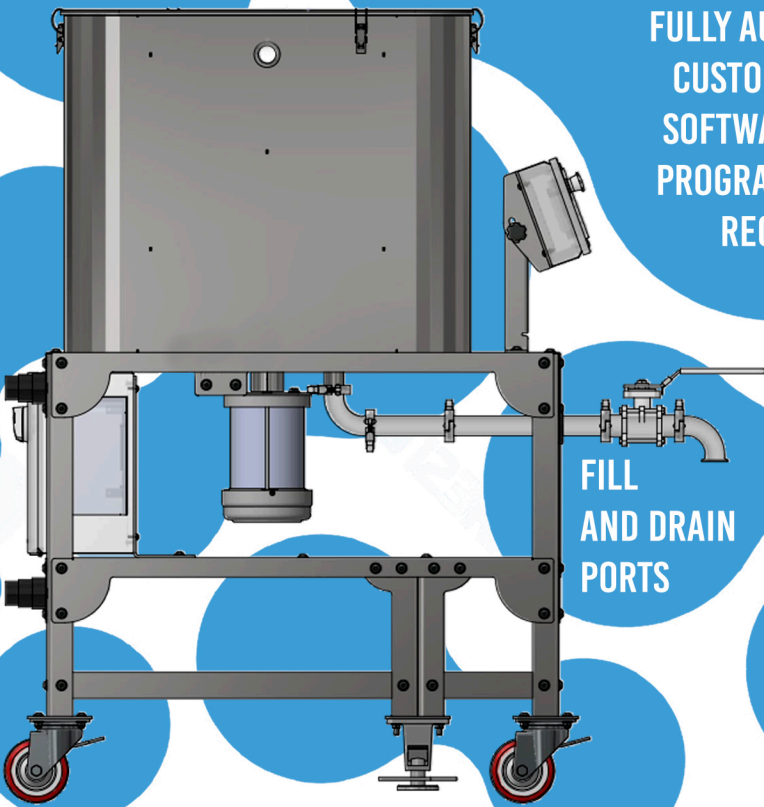
CUSTOM FITTED FALSE BOTTOM

304 STAINLESS STEEL

FULL WASHDOWN RATED FOR EASY CLEANING

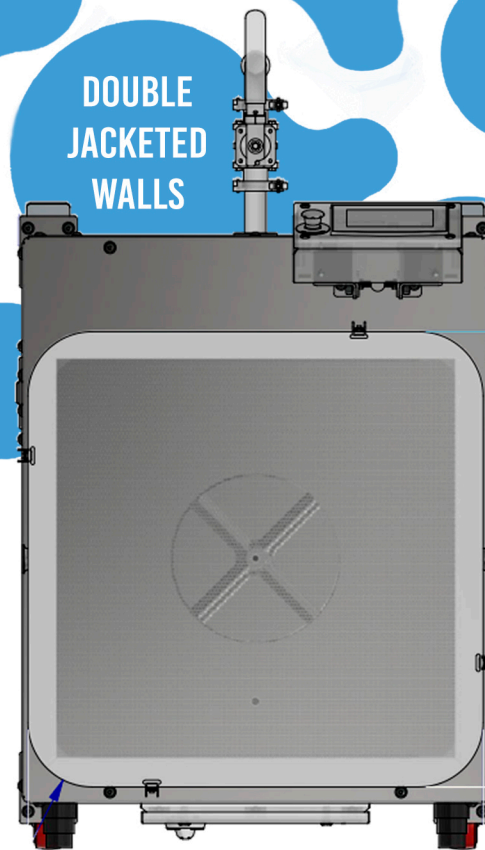
FDA APPROVED FOOD GRADE SANITARY WELDS

DOUBLE JACKETED WALLS



FILL AND DRAIN PORTS

Glycol Chilled Vessels require a Chiller Unit that is not included

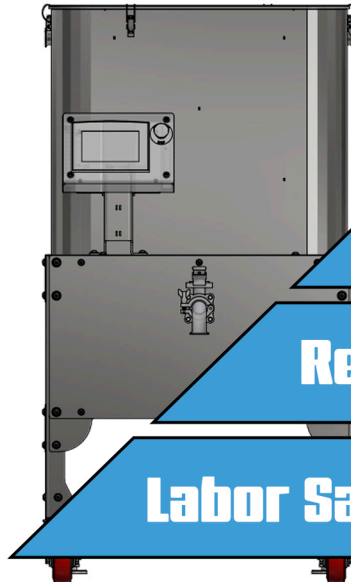


ROI and Pricing

The daily capacity of the Lowtemp OSPREY is 185lbs+ of fresh frozen flower, producing up to 12lbs of solventless water hash per day, with just one employee. Gentle enough to produce very high quality water hash; powerful enough to wash and entire harvest in a day.

The figures below are based on industry averages and our own in-lab tests

	Handwashing	Osprey
Persons Required	2	1
Max Capacity	5000g	21000g
Washes per Day	3	4
Daily Yield Rosin (3-7%)	450-1,050g	2,520-5,880g
Daily Yield Melt (4-9%)	600-1,350g	3,360-7,560g
Daily avg Revenue (Rosin \$37.50/g)	\$28,125	\$157,506
Daily avg Revenue (Melt \$22.50/g)	\$21,937	\$122,850



Up to 21,000g Capacity

Fully Automated Operation

Reduces Ice Usage by up to 80%

Labor Savings up to 75% or \$90,000/yr



DECREASE LABOR COSTS BY UP TO 75%



DECREASE ICE CONSUMPTION BY UP TO 80%



IMPROVE TEMPERATURE CONTROL



INCREASE PRODUCTION RATE BY 400%



OPTIMIZE EFFICIENCY WITH FULL AUTOMATION