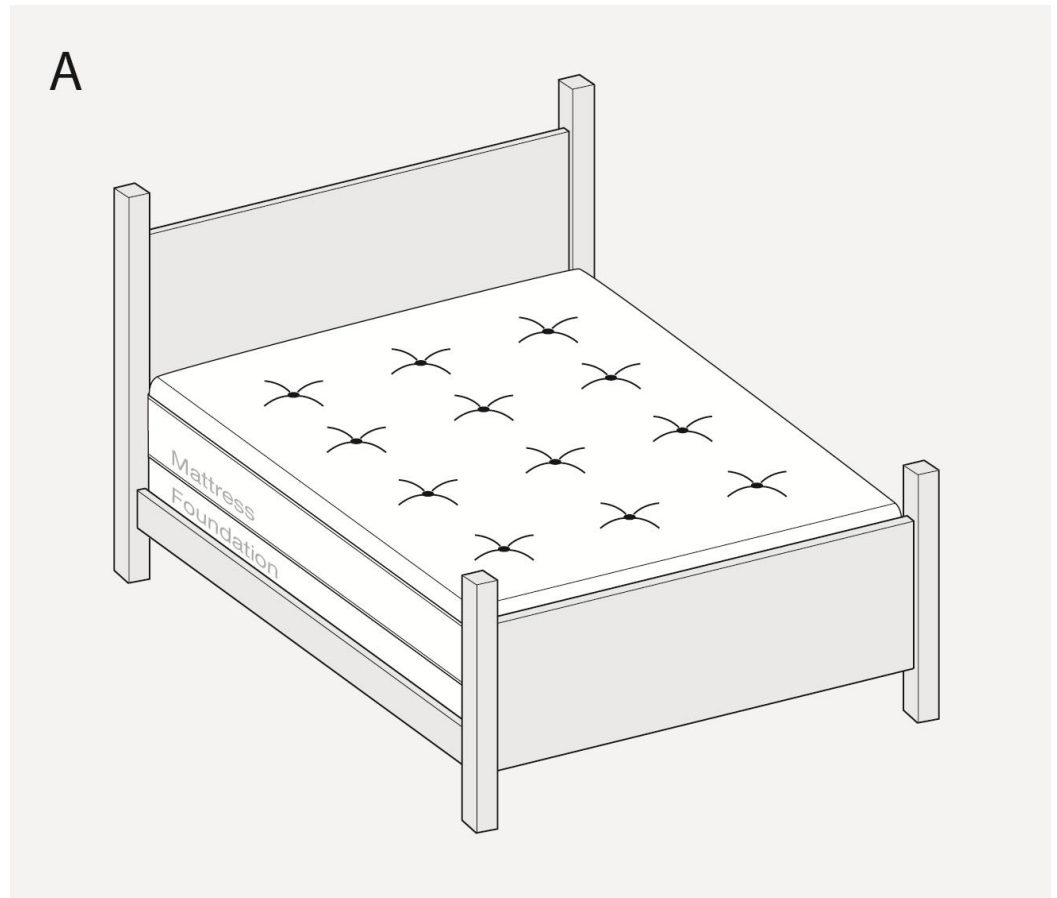


HOW TO MEASURE A PILLOW TOP SHIFT

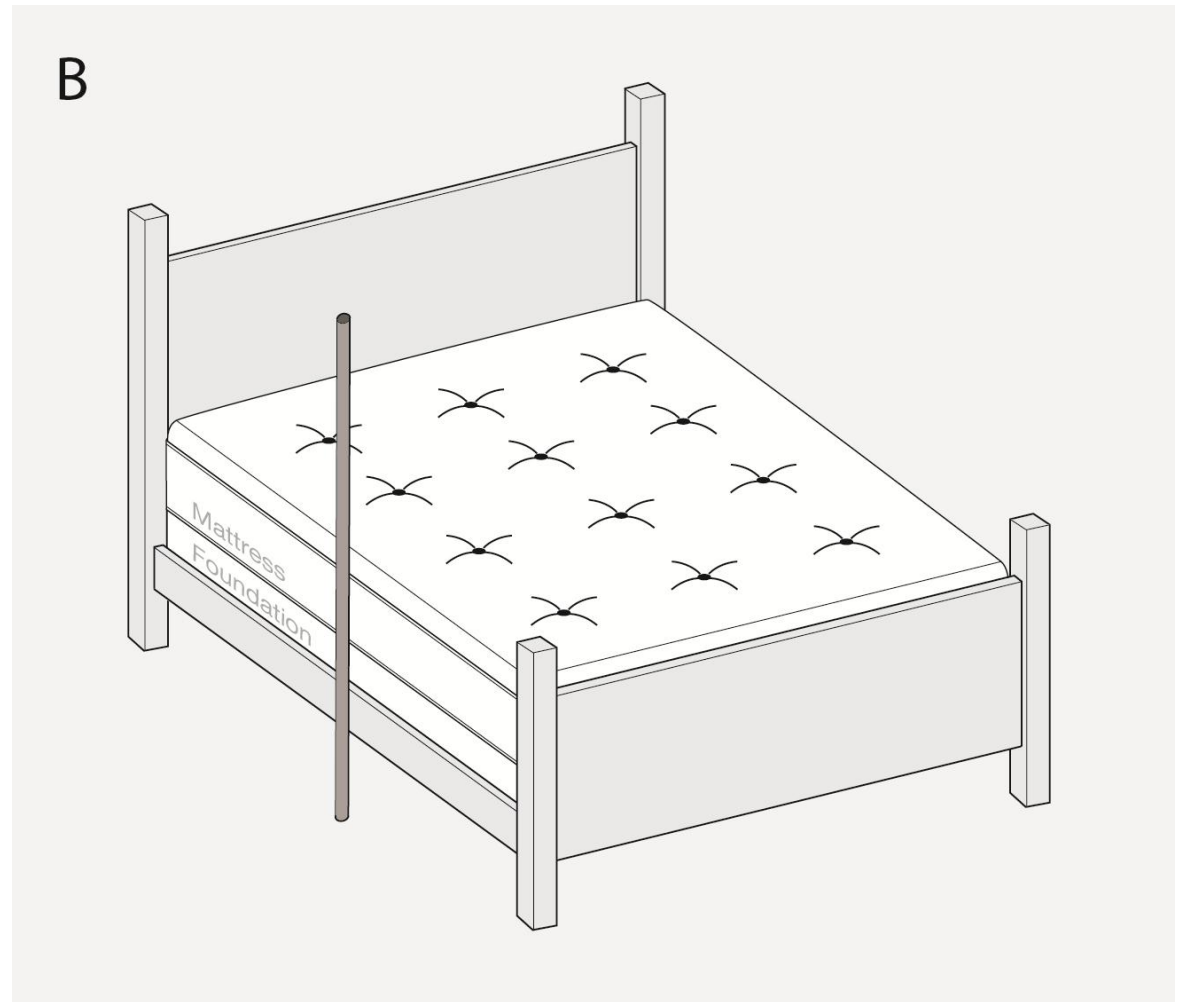
Step 1

Slide the mattress about 2 inches to one side.



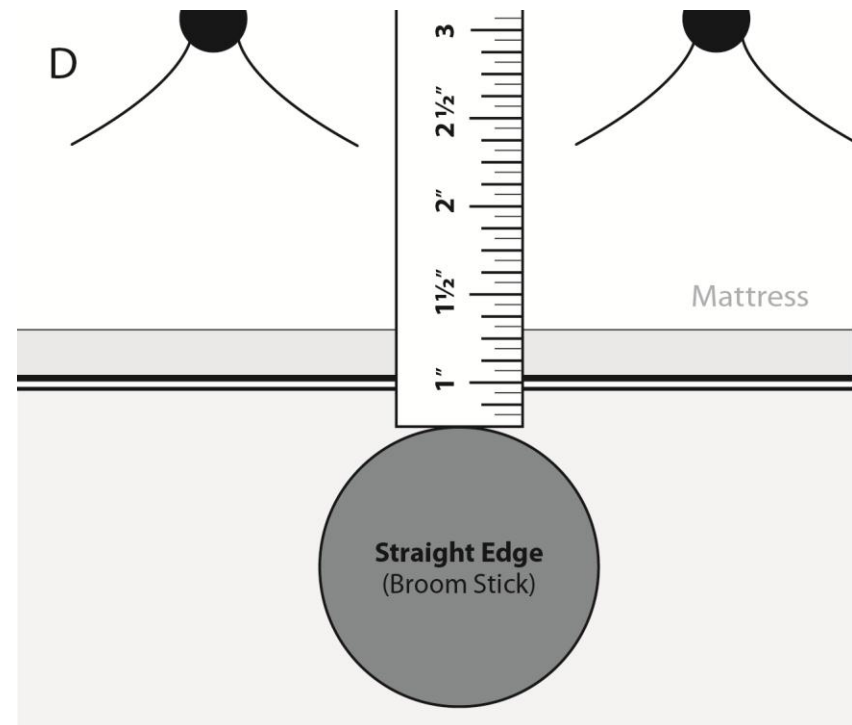
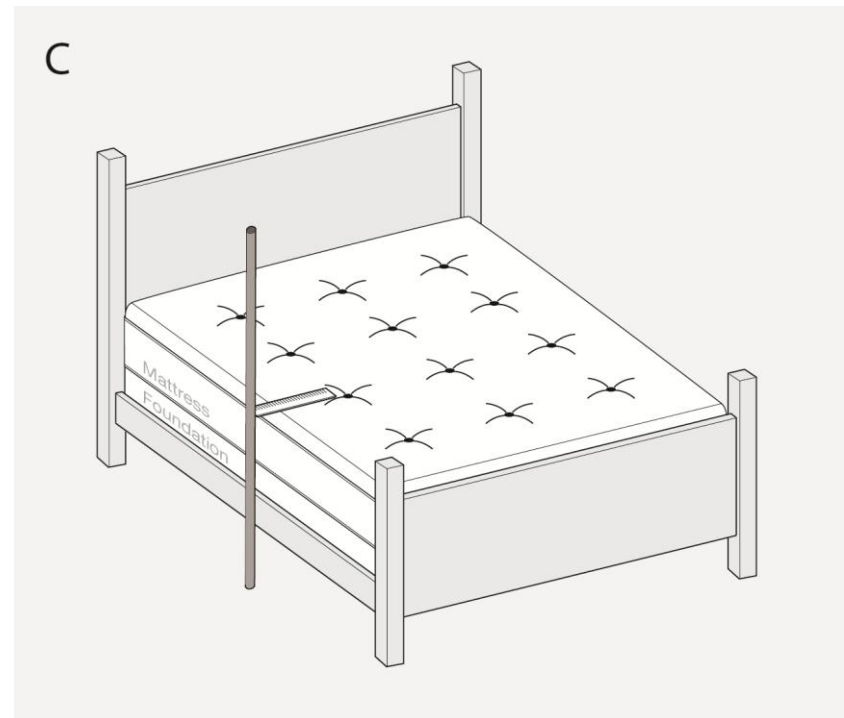
Step 2

Stand the broom handle beside the mattress, one end should be on the floor and it should be held perfectly straight.



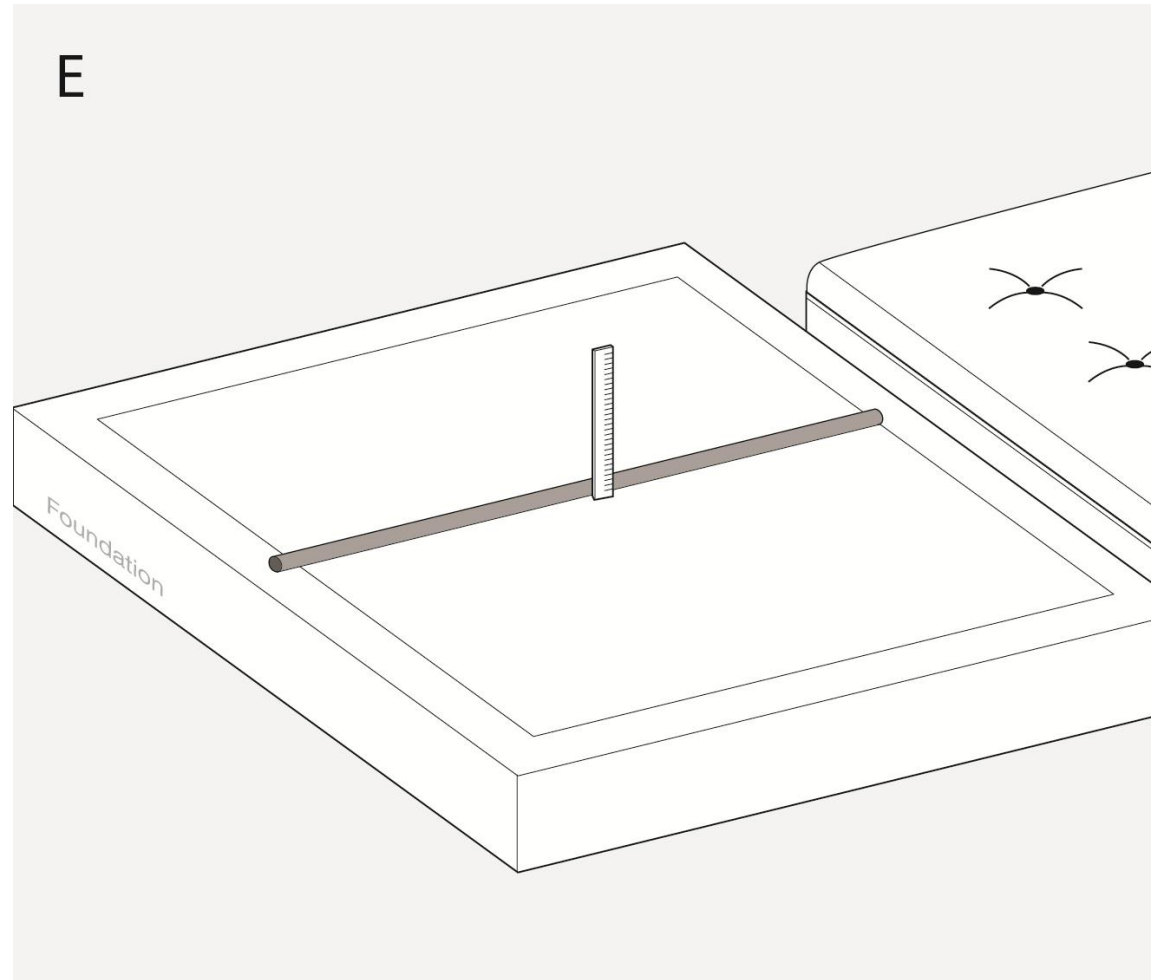
Step 3

With the broom handle placed against the side of the mattress and the ruler at a right angle to the broomstick have the other person take two pictures; one showing the entire set up and the other a close up of the measurement.

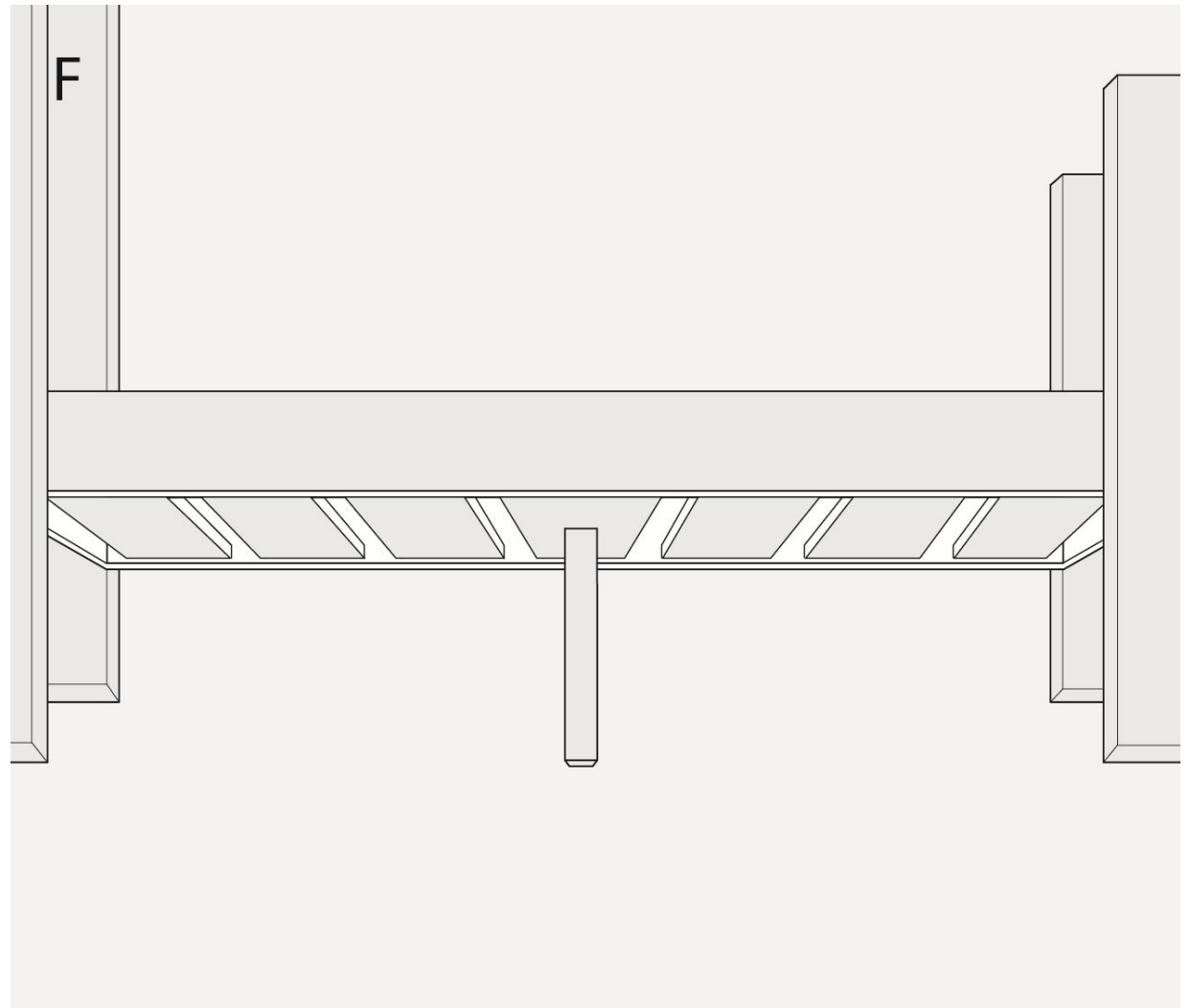


Step 4

Measure your box spring in the same manner as listed above.



Step 5
A picture of your frame is also
required.



G

Step 6

A picture of the law tag is also required.



Step 7

Please note these measurements in question #2 of the Warranty Claim Form