

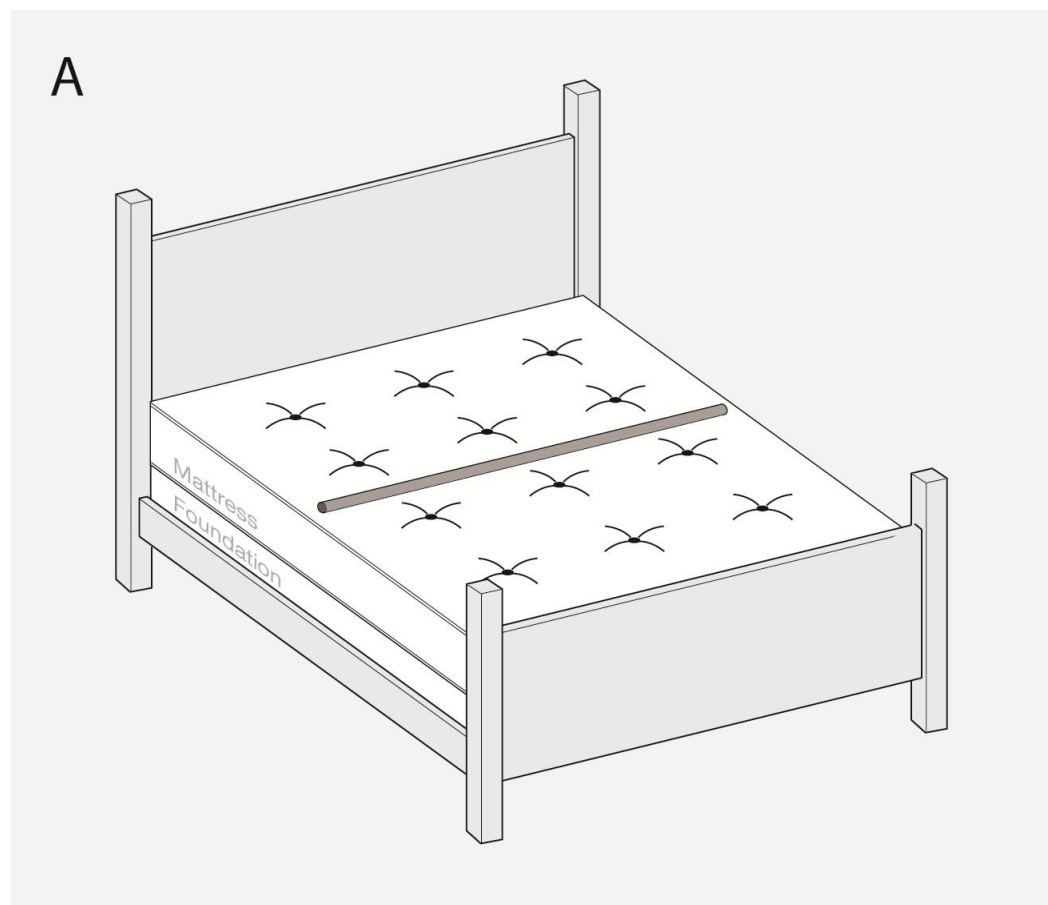
HOW TO MEASURE BODY IMPRESSIONS

Step 1

Lay mat flat, preferably on the floor.

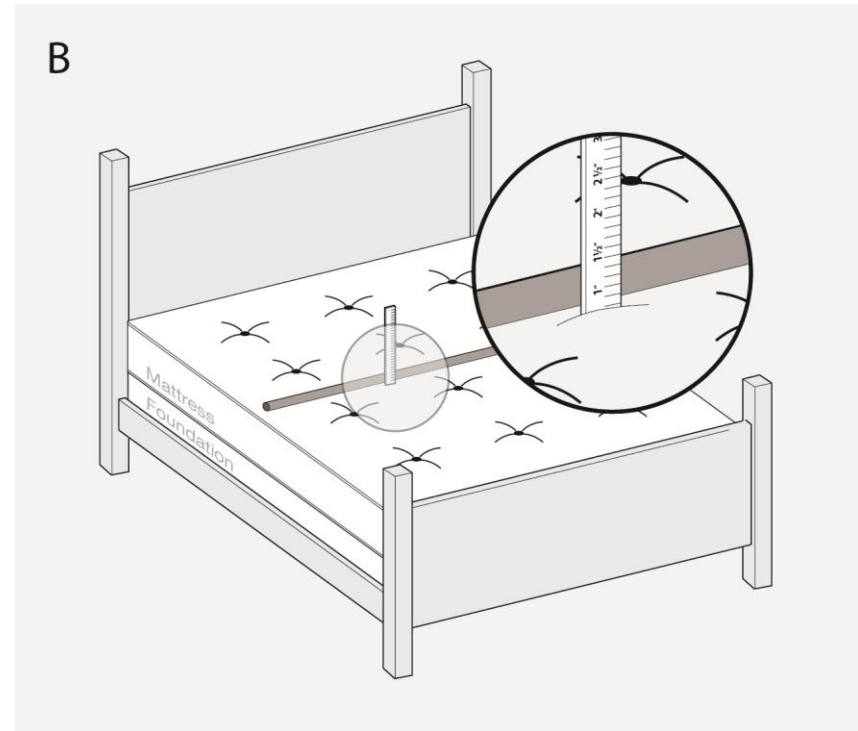
Step 2

Place a yardstick or broomstick across the location of body impression(s), (hip area is usually deepest).



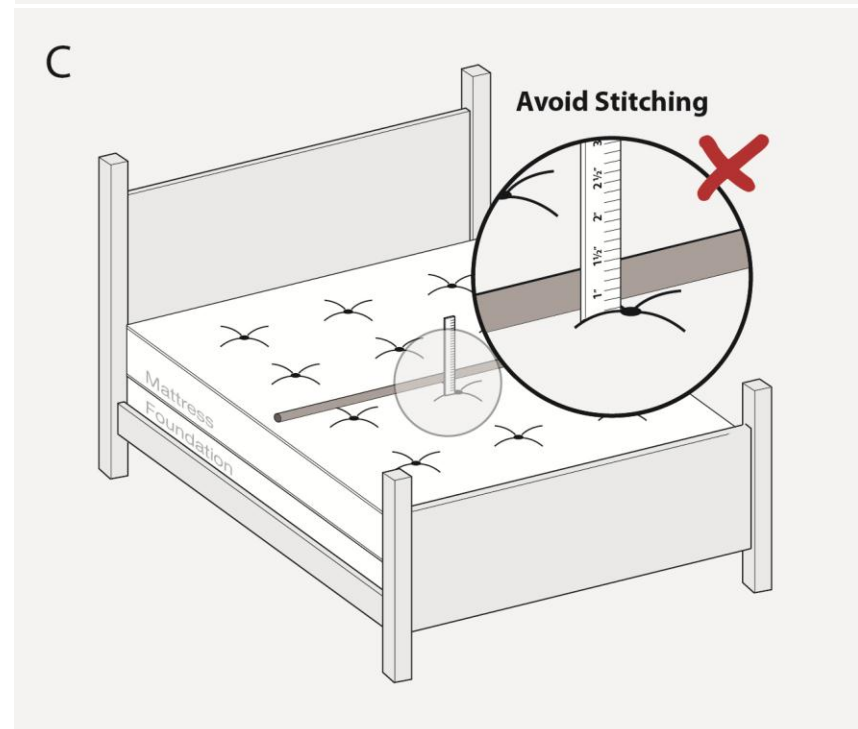
Step 3

Using a ruler, measure the depth of impression from the deepest point of mattress surface to the edge of the yardstick.



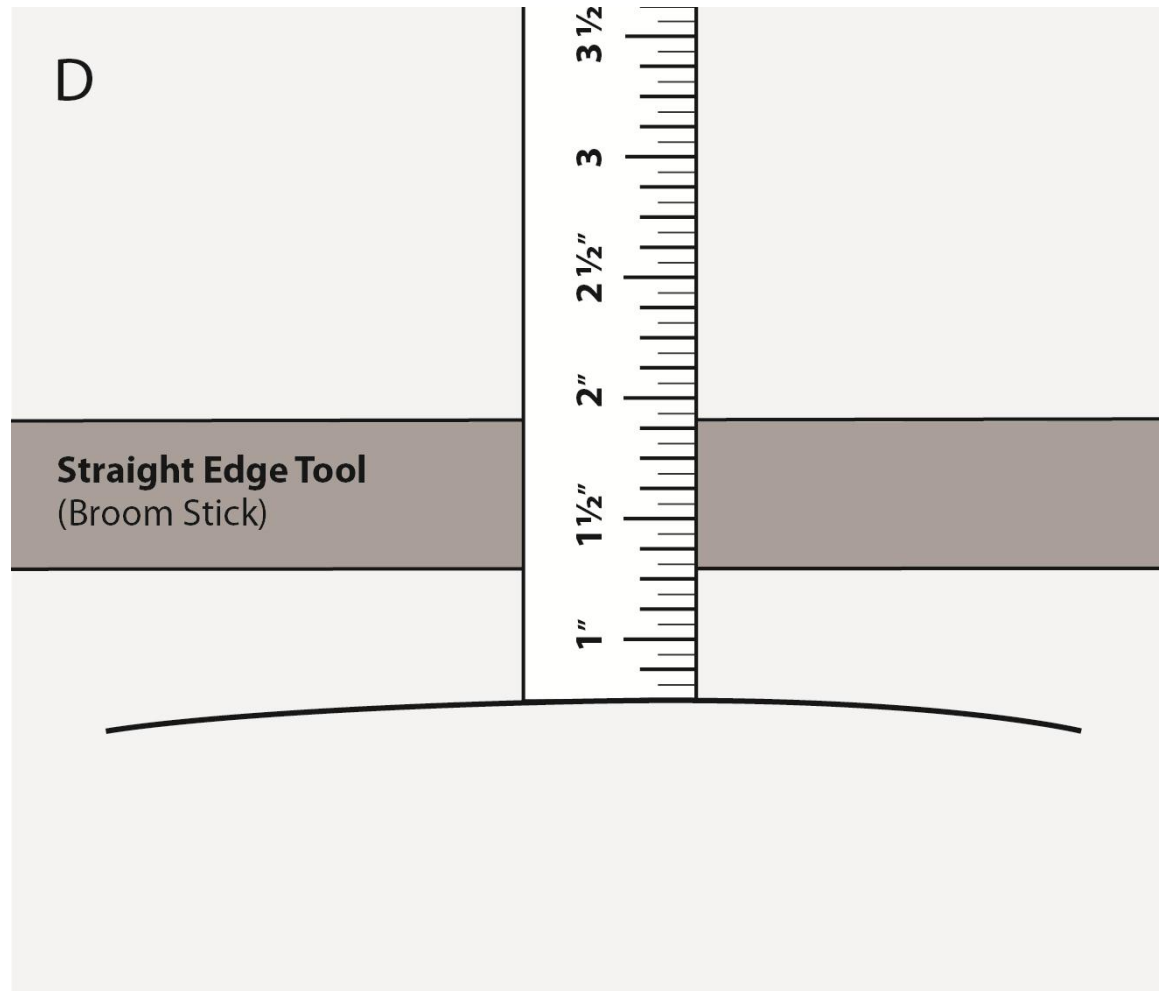
Measure from the center of the padded area of quilting, not the seams of the quilting threads, to ensure that measurements will be accurate.

Fig. (C) is an example of an improper measurement.



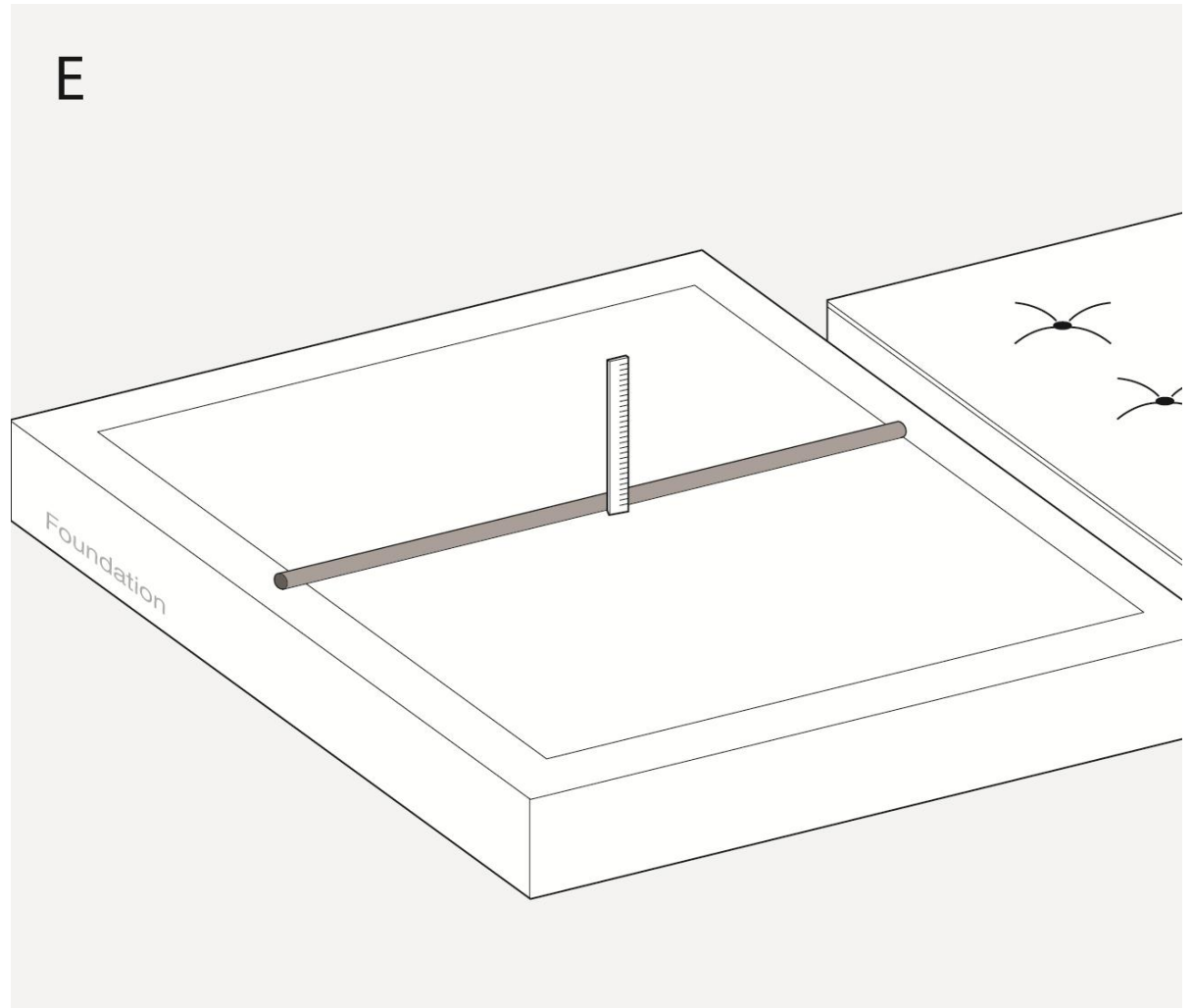
Step 4

A close up of the measuring tool is required.



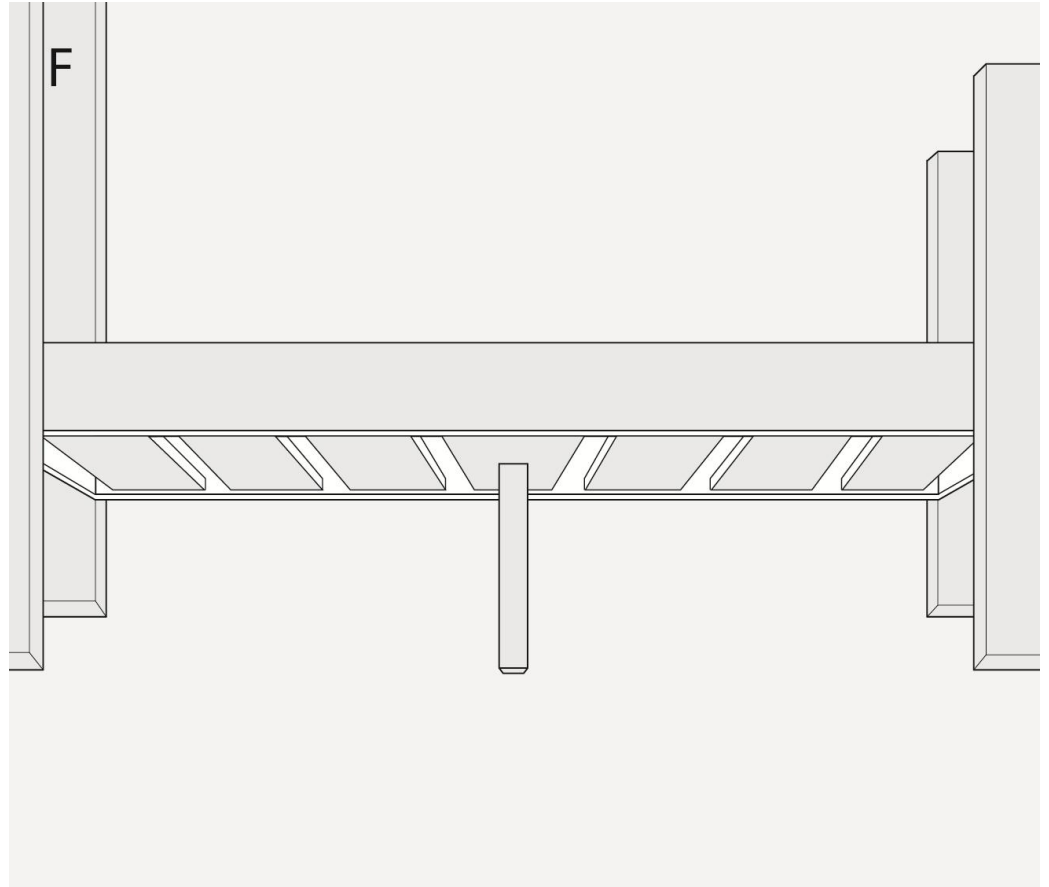
Step 5

Measure your box spring/foundation in the same manner as listed above.



Step 6

A picture of your frame is also required.



G

Step 7

A picture of the law tag is also required.



Step 8

Please note these measurements in question #2 of the Warranty Claim Form