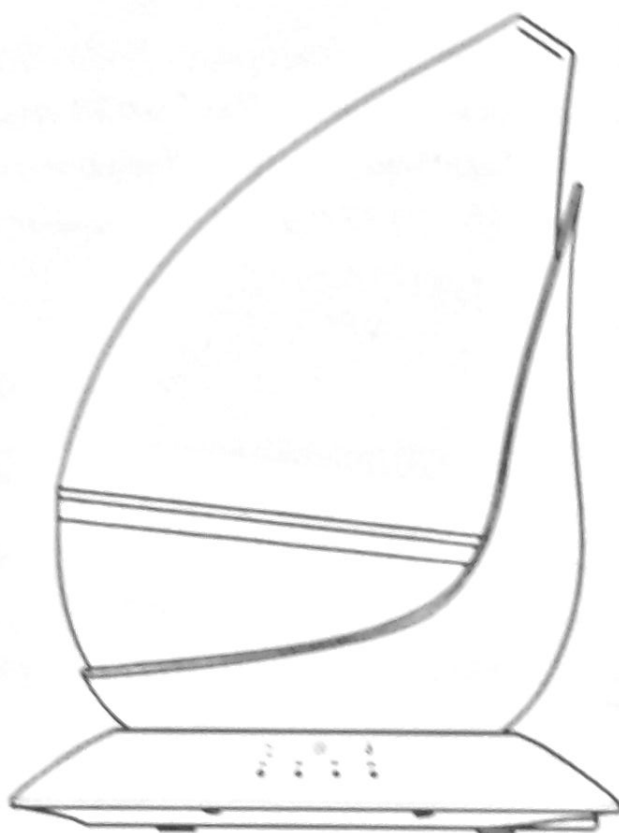

Aroma Diffuser

User Manual

Please read this manual carefully before using



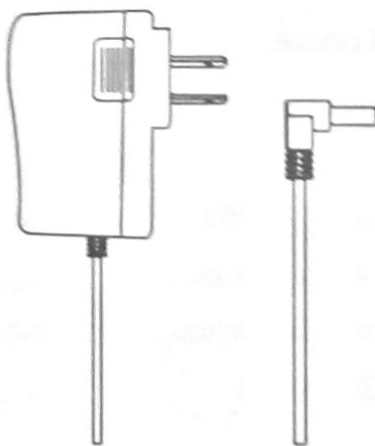
Thank you for choosing our product, you will have an enjoyable experience.

ACCESSORIES

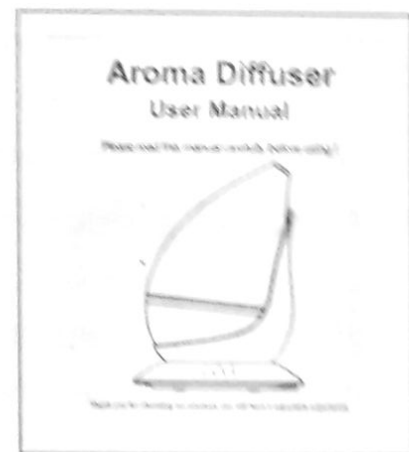
- 1 x 350ml Aroma Diffuser
- 1 x Charger Adapter
- 1 x User Manual



350ml Aroma Diffuser

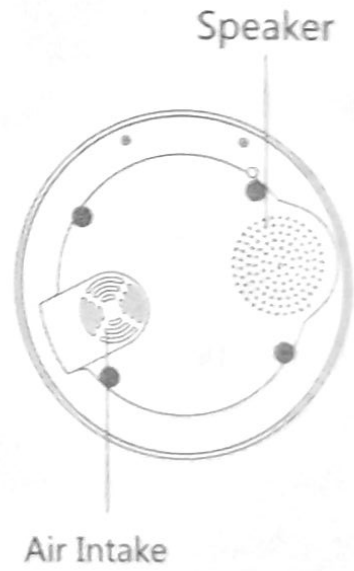
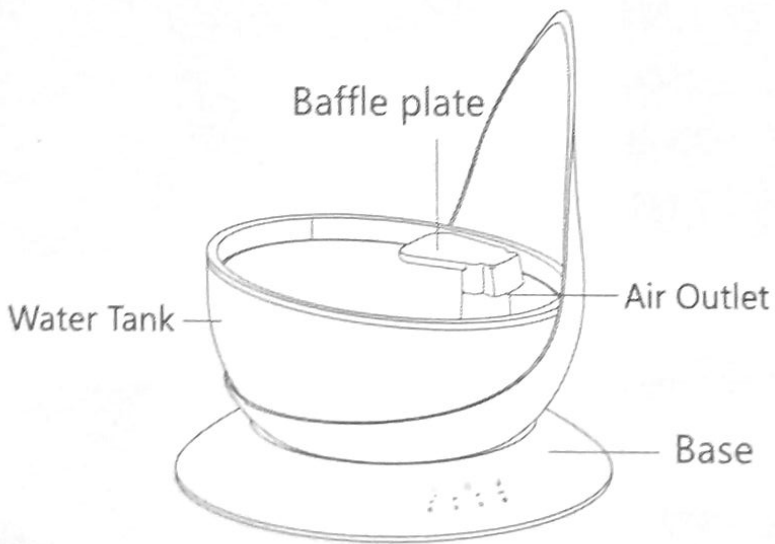
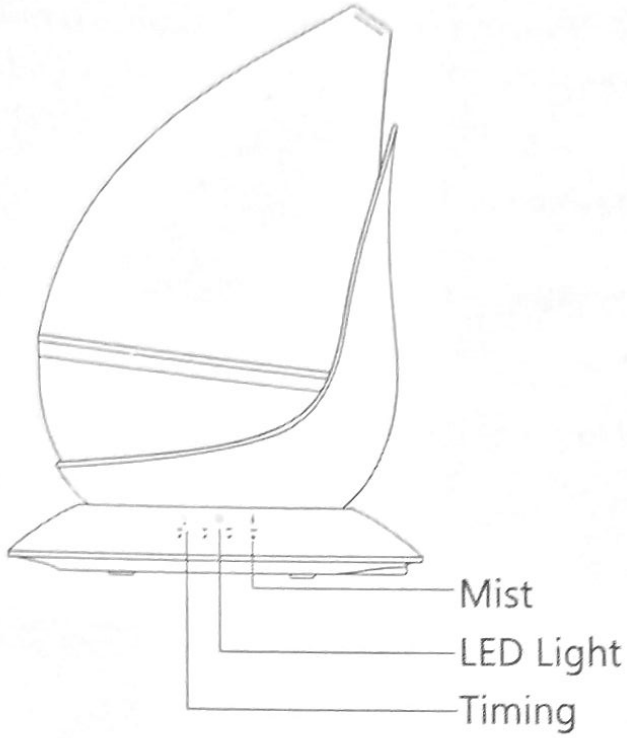


AC Adapter



User Manual

PRODUCT INTRODUCTION



OPERATION

1. Carefully remove the lid from the main unit.



2. Take the AC adapter and measuring cup out of the tank, then connect the AC adapter to the DC jack.



3. Pour approx 350ml water into the water tank with measuring cup (do not exceed the max line on the water tank) and add 3-5 drops of essential oil.



4. Place the lid back, position the nozzle to adjust the the direction of the mist.



5. Plug the AC adapter into household power socket.



6. Quickly press the "TIMING" button one time to turn on the mist.

Hit the "TIMING" button again to set the timer for 60/180/360m/On(as shown by the LED indicator).

Or press the "TIMING" button for 2 seconds to turn it off.



7. Press the "MIST" button to toggle between weak / strong and off.

When you turn on the diffuser, the mist is in the low mist mode by default.



8. Quickly press the "LED LIGHT" button one time to turn the light on auto-changing mode. Hit the "LED LIGHT" button again to change and choose your favorite color. Or press the "LED LIGHT" button for 2 seconds to turn the light off.



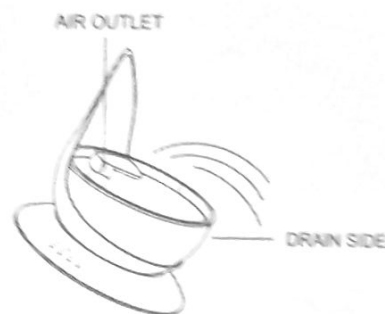
ATTENTION

1. The lid should be covered on the main unit while working.
2. The intensity of the mist may vary a little while working, which is a normal phenomenon, and should not be considered as a fault.
3. If the diffuser is not in use, drain the water off the tank and store it under dry condition.
4. If turning on the unit with no water in the tank, it will make 3 short beeps and auto-shut off to protect the unit. The unit does not work with no water.
5. Please use 100% pure essential oil to prevent the unit from damage.

MAINTENANCE

It is suggested to clean the diffuser every 2-3 days, or when changing to another flavor of essential oil, please clean the unit as following:

1. Remove the power line and the lid from the main unit.
2. Drain water from the "DRAIN SIDE" (as the mark on the unit).
3. Wipe the tank with wet wipes or soft cloth (you may need to clean the ultrasonic vibration tile with cotton swabs).



SPECIFICATION

Model:	SD-01
Size:	160*212mm
Material:	ABS+PP+glass
Product Weight:	1.2KG
Water Capacity:	350ML
Mist Capacity:	20-30ml/h
LED Color:	7 colors
Timer:	1H/3H/6H/ON
Duration Time:	10-12 hours
Vibration:	2.4MHz
Rate Power:	15.6W
Bluetooth wattage:	3W

TROUBLE SHOOTING

Problem 1: Can't turn on.

Cause : Have you connected the AC adapter properly?

Solution: Check the AC adapter.

Problem 2: Once turn on, it just auto shut-off.

Cause : No enough water in the tank? Press the TIMING button for too long?

Solution: Add water to the tank. Short press the TIMING button.

Problem 3: There is no mist or very little mist out of the unit.

Cause : No enough or too much water in the tank?

Dirt on the ultrasonic plate?

Dirt on the air suction port on the underside of the base?

Solution: Use a piece of soft cloth to gently wipe the ultrasonic vibration plate and the air suction port. Add water to the tank.

Problem 4: Water leakage from the unit.

Cause : The cover and inner cover are not installed properly?

Did you add too much water in the tank?

Did you tip over the unit?

Solution : Drain out the water and dry it. Correctly install the cover and inner cover.

Add water to the tank no more than 350 ml. If you tip over the unit, pour out all the water, shake the unit gently to drain out the water inside the machine, then leave it for a dry condition for at least 24 hours.