

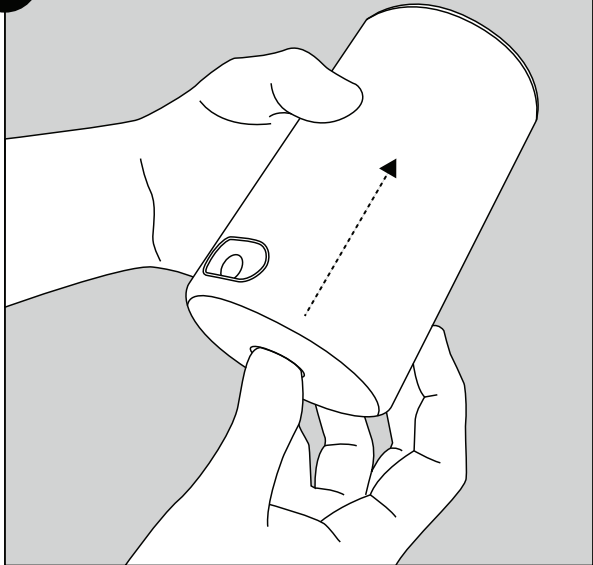
SKY

Portable Battery Base for Amazon Echo 2

QUICK START GUIDE

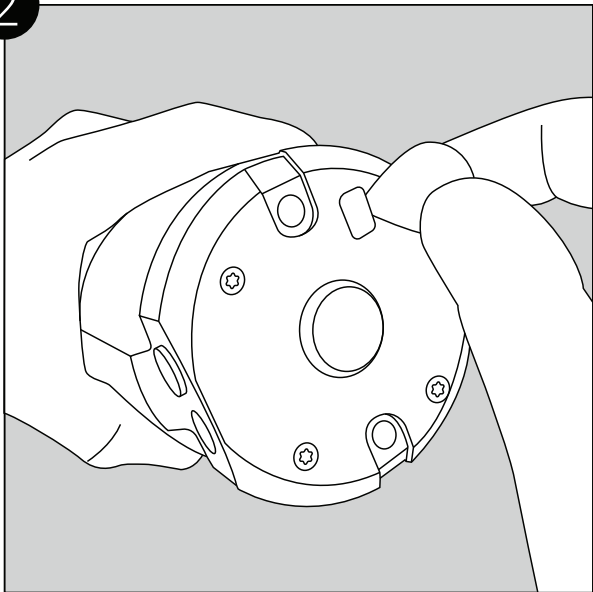
IMPORTANT: READ BEFORE OPERATING

1



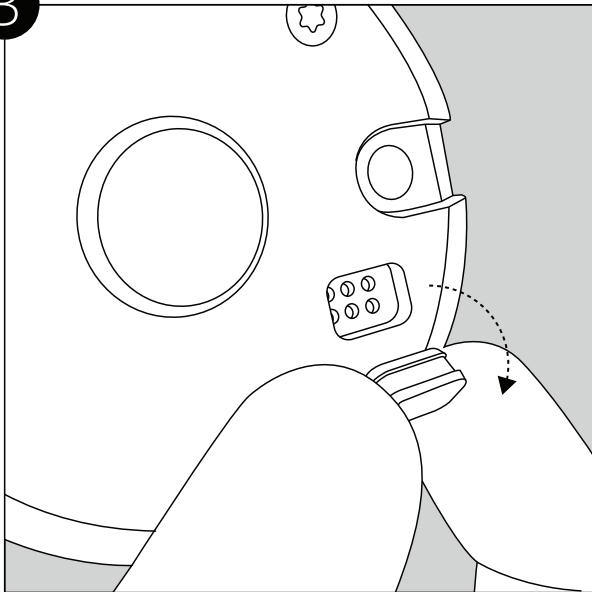
Remove the Echo 2 unit from its sleeve by pressing up on the center bottom of the unit.

2



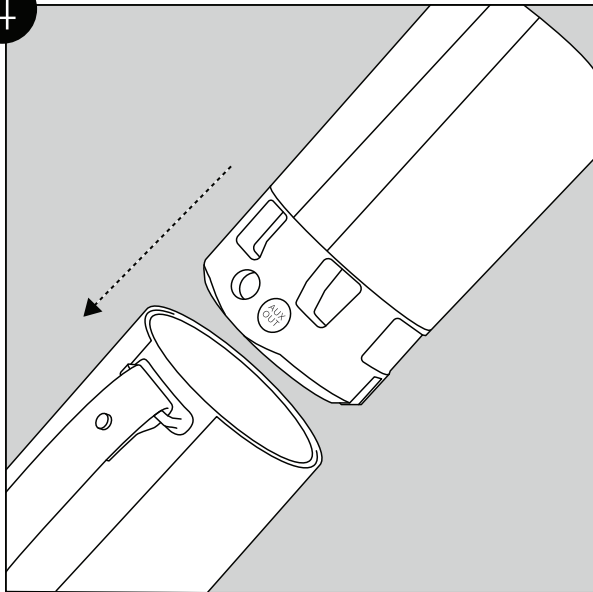
Using the supplied removal tool (guitar pick), gently pry out small rectangular rubber plug from the bottom of the Echo 2 unit.

3



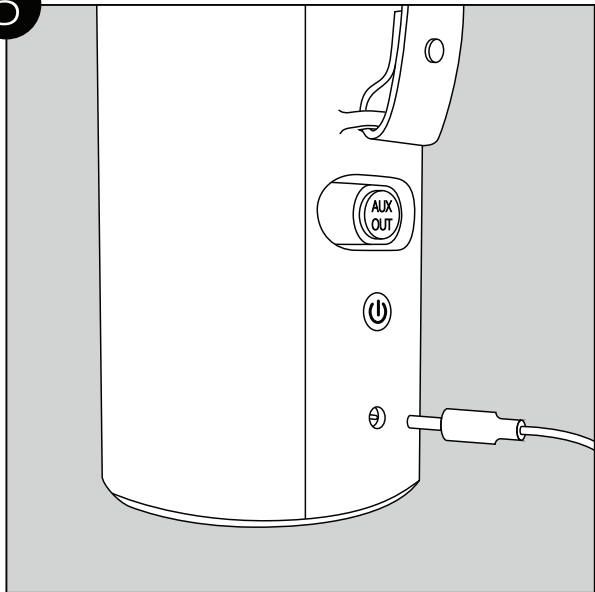
Remove rubber plug completely exposing Echo 2 auxiliary contacts.

4



Align Echo 2 unit with SKY battery sleeve and slide Echo 2 unit until it is fully seated into SKY.

5



Using your original Echo 2 charger, fully charge SKY until all four LEDs are illuminated on the front of the unit. Grab and go!

1. Please add the use ambient temperature, the input and output of the specific parameters.
2. Do not install this equipment in a confined or building-in space such as a book case or similar unit, and remain a well ventilation conditions at open site. The ventilation should not be impeded by covering the ventilation openings with items such as newspaper, table-cloths, curtains etc.
3. WARNING: Only use attachments/accessories specified or provided by the manufacturer (such as the exclusive supply adapter, battery etc).
4. WARNING: The batteries (battery pack or batteries installed) shall not be exposed to excessive heat such as sunshine, fire or the like.
5. No naked flame sources, such as lighted candles, should be placed on the apparatus.
6. Attention should be drawn to environmental aspects of battery disposal.
7. WasteSymbol-3 Correct Disposal of this product. This marking indicates that this product should not be disposed with other household wastes throughout the EU. To prevent possible harm to the environment or human health from uncontrolled waste disposal, recycle it responsibly to promote the sustainable reuse of material resources. To return your used device, please use the return and collection systems or contact the retailer where the product was purchased. They can take this product for environmental safe recycling.





For questions or customer support, email us at
[ninety7.com/support](mailto:support@ninety7.com)



Join us on social @Ninety7life
#ninety7
www.ninety7.com