
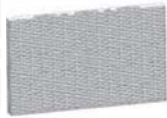

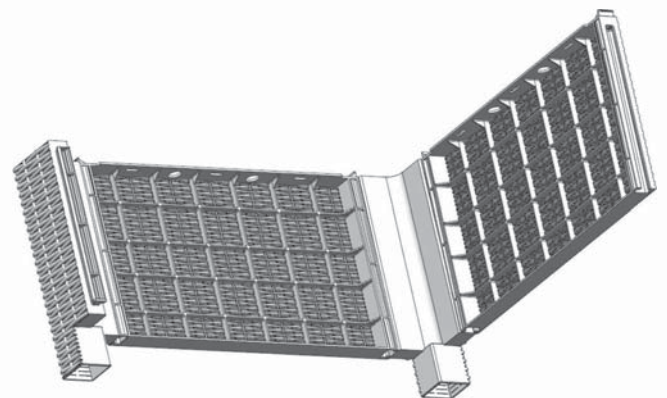
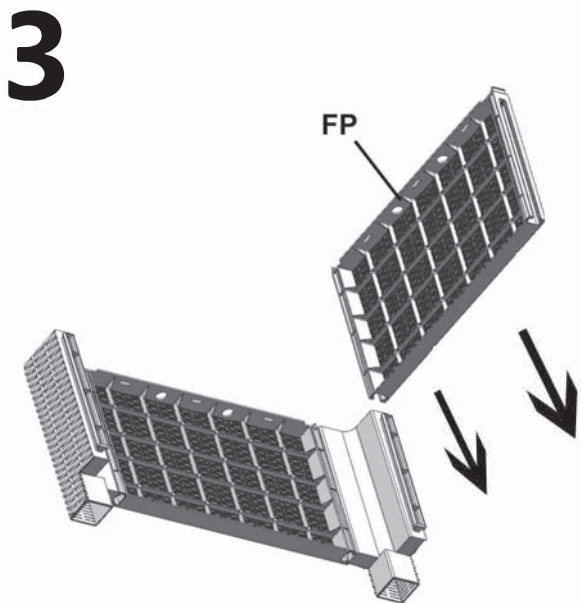
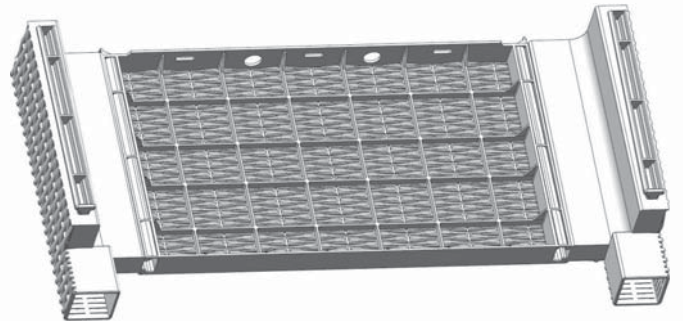
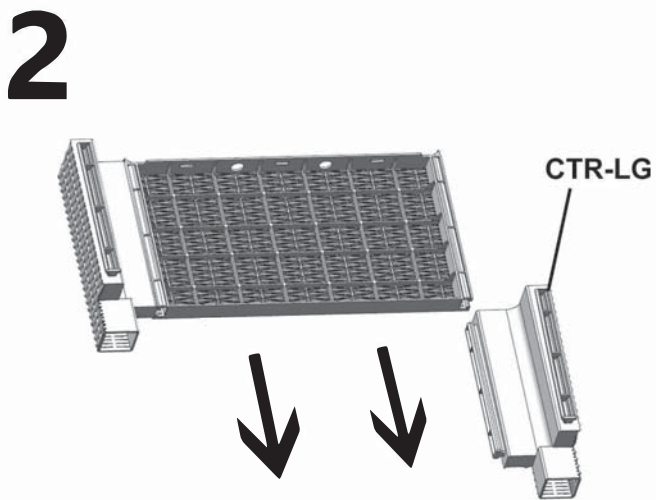
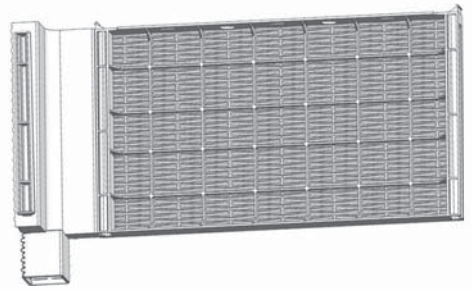
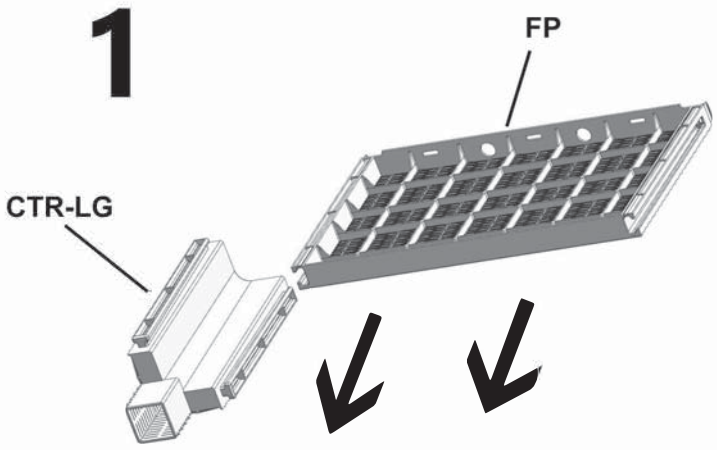


OTTOMAN ASSEMBLY PARTS

PART	DESCRIPTION	IMAGE	QUANTITY
SC-TP	Table Top		1
FP	Front Panel		4
CTR-LG	Coffee Table Legs		4

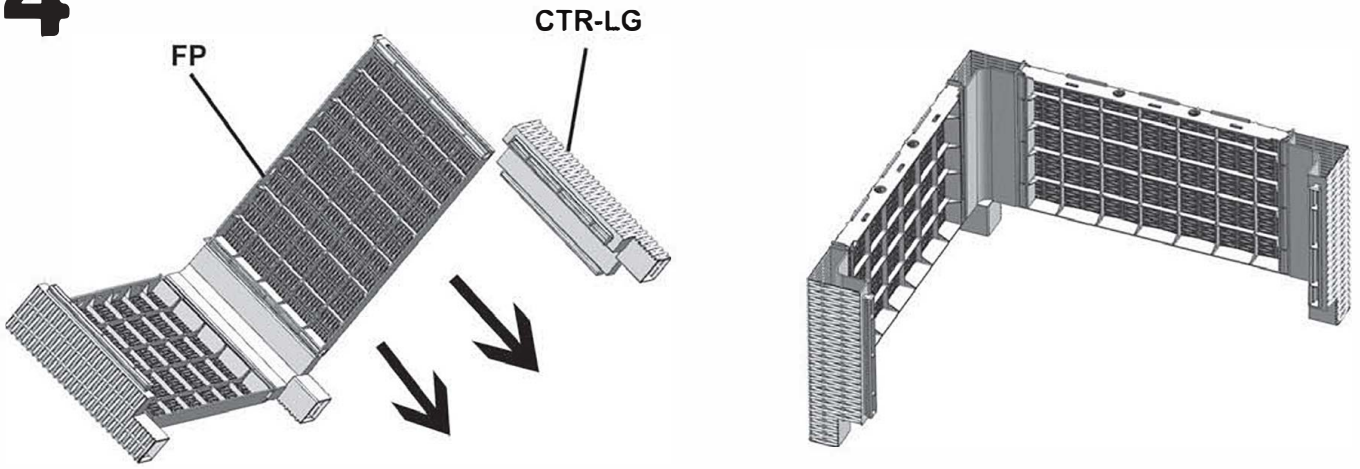
All Parts for this assembly are bagged and sealed with **BLUE** Bag !

ASSEMBLY

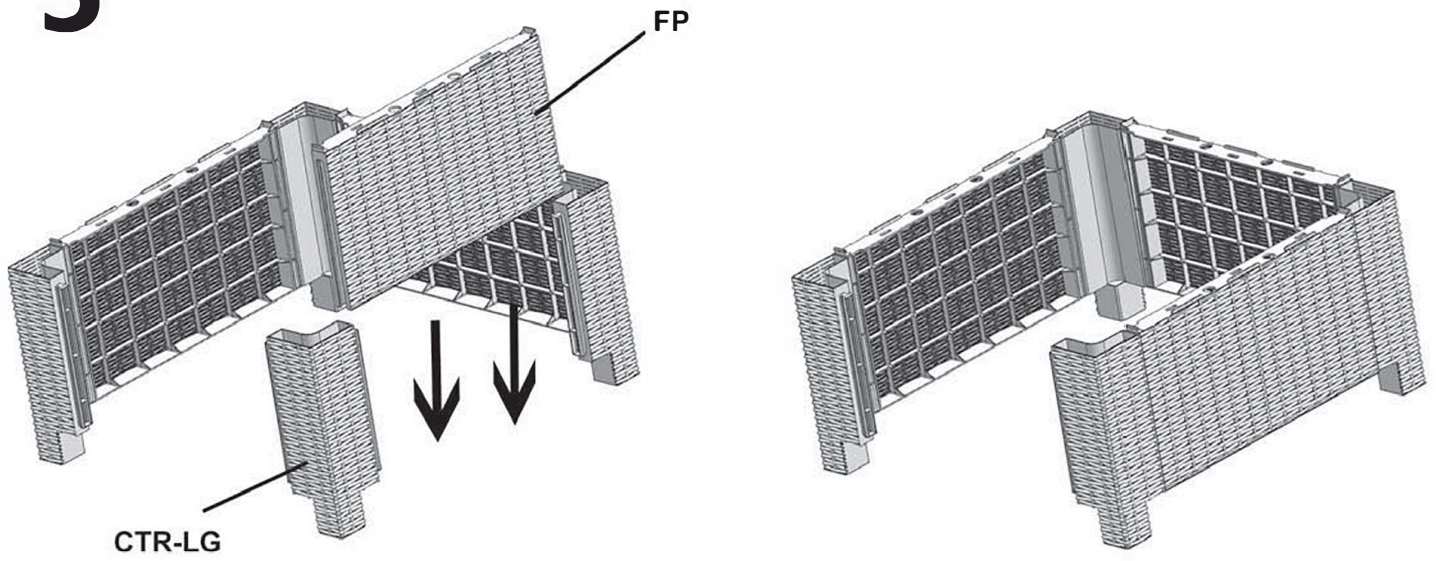


*Patent pending

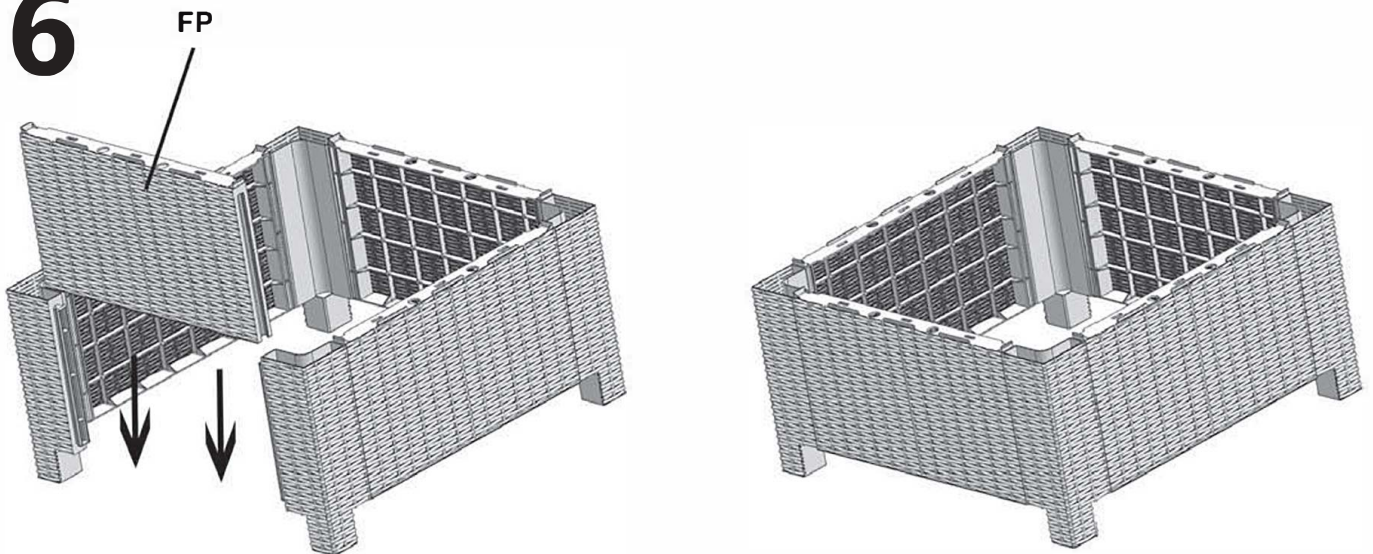
4



5

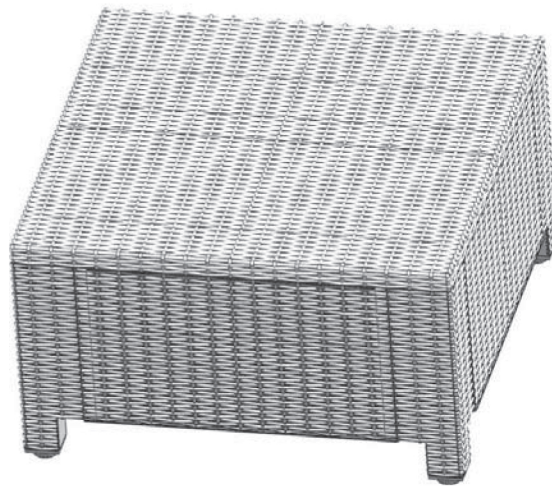
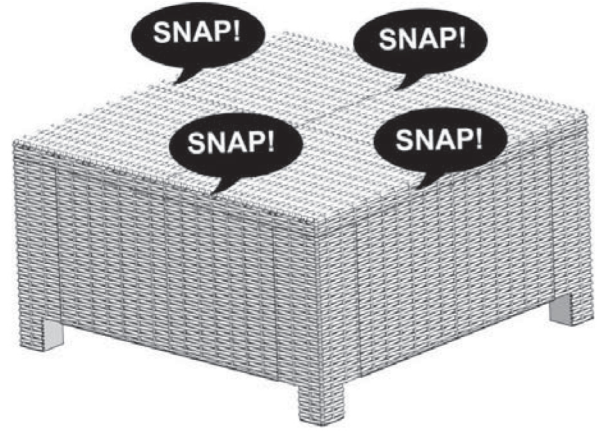
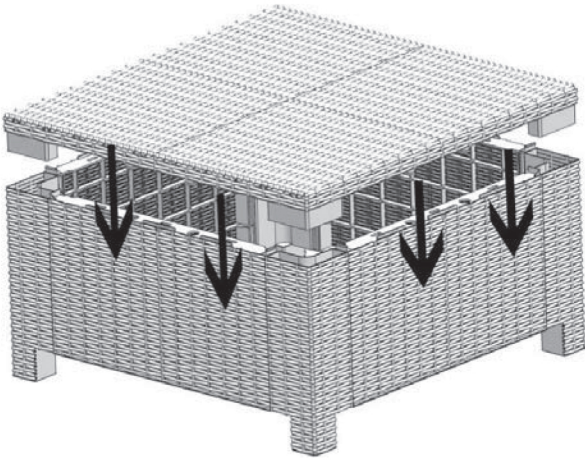


6







*Patent pending

7

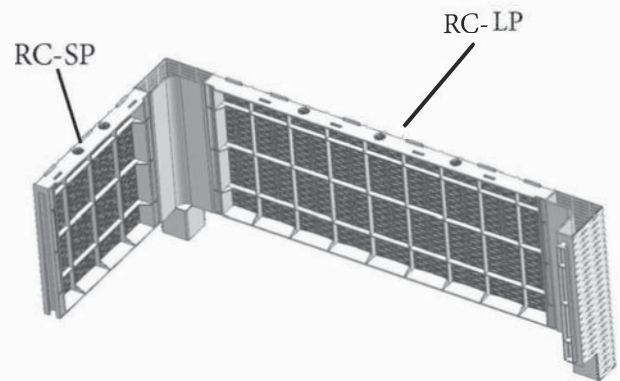
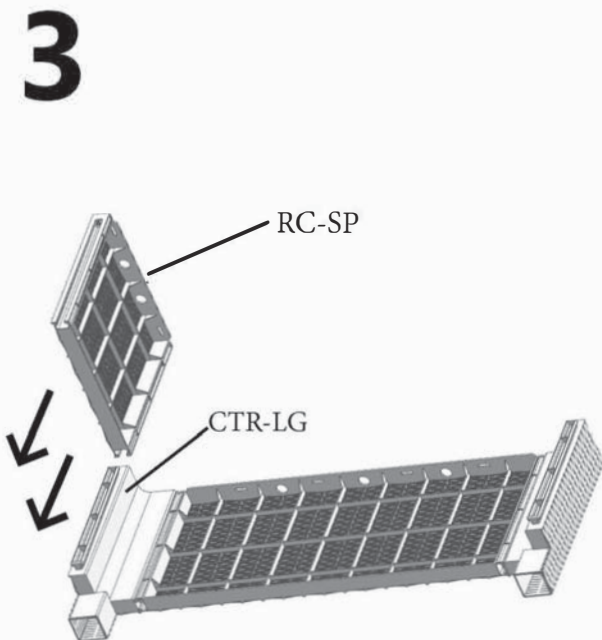
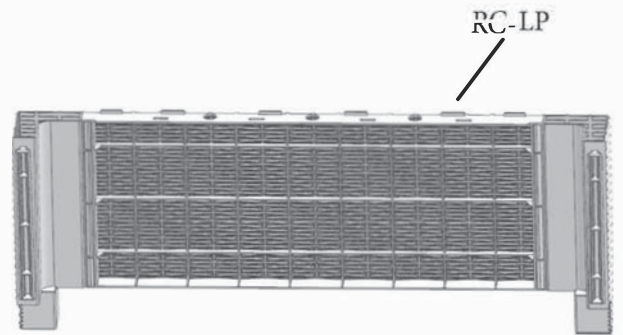
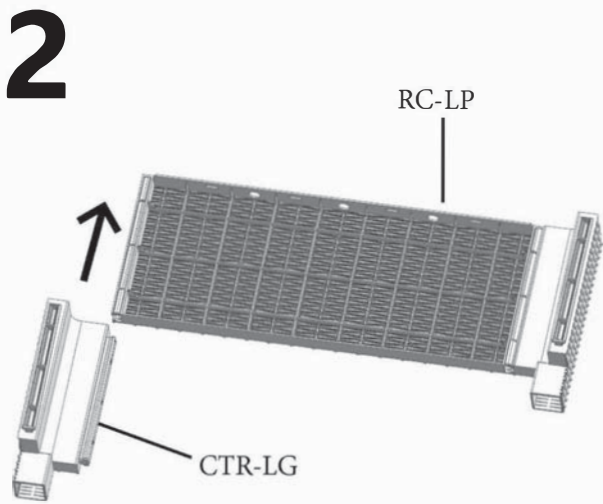
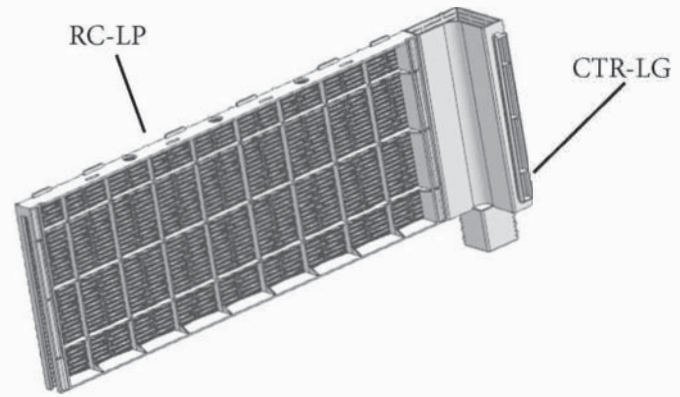
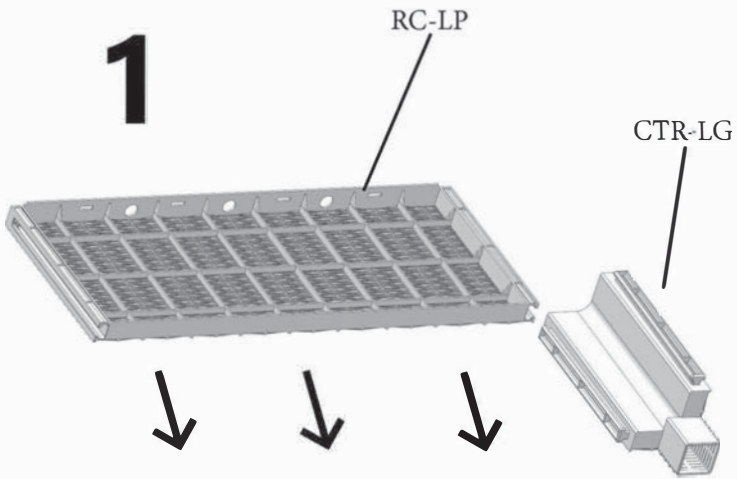


RECTANGULAR COFFEE TABLE ASSEMBLY PARTS

PART	DESCRIPTION	IMAGE	QUANTITY
RC-TT	Table Top		1
RC-LP	Long Side Panel		2
RC-SP	Short Side Panel		2
CTR-LG	Coffee Table Legs		4

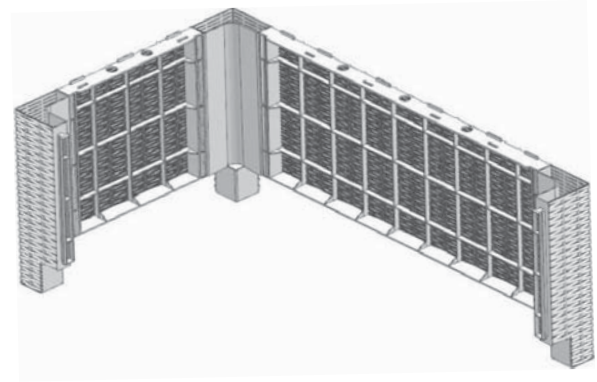
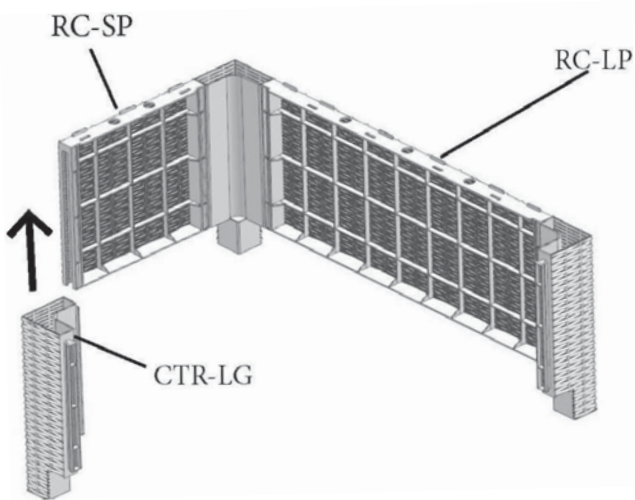
All parts for this assembly are bagged and sealed with **PINK** Bag !

ASSEMBLY

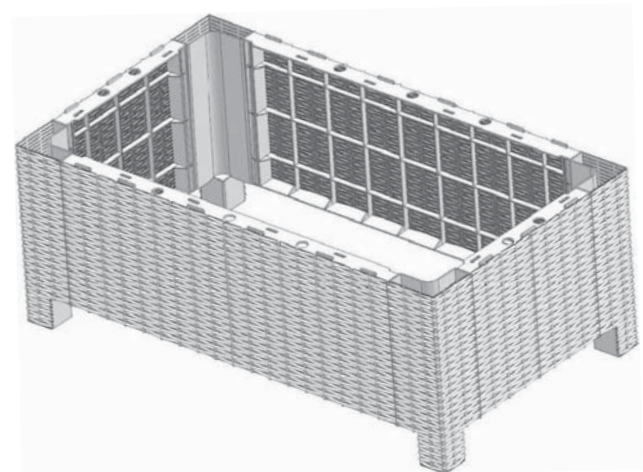
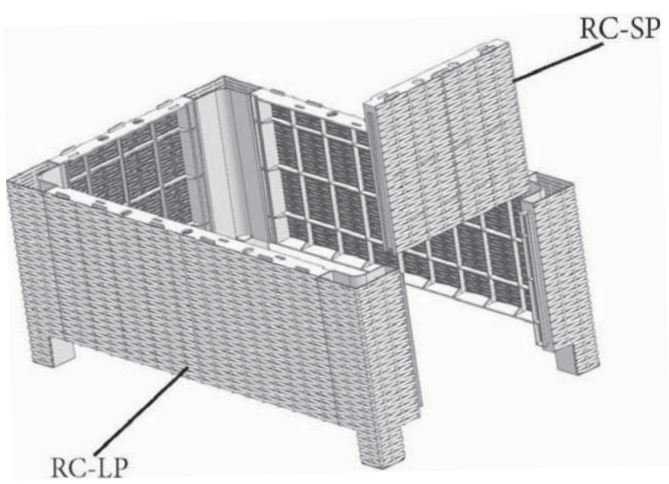
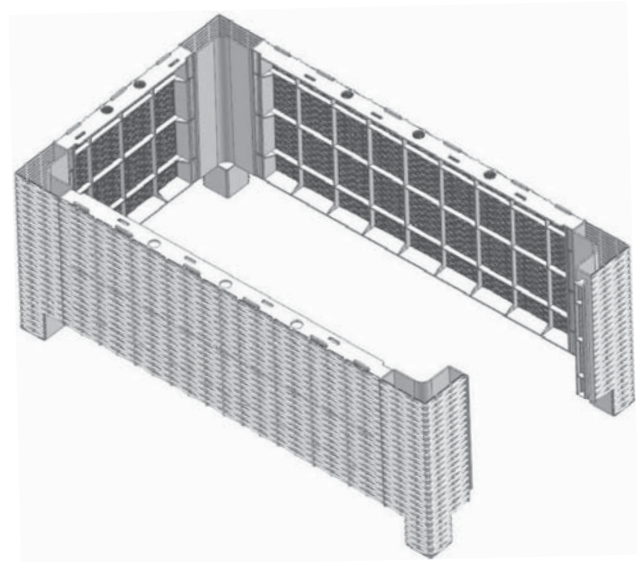
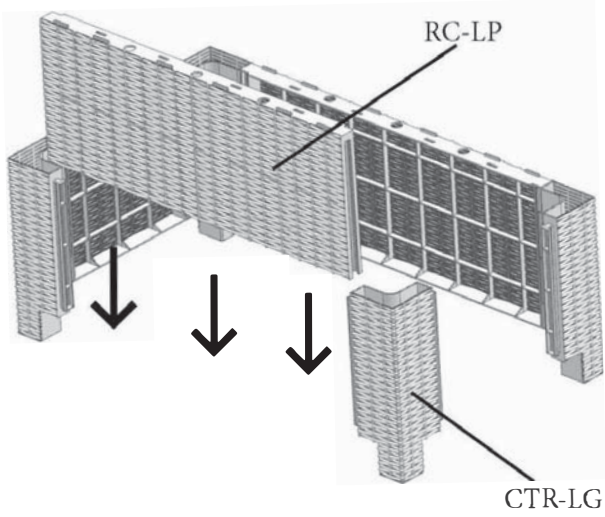


*Patent pending

4

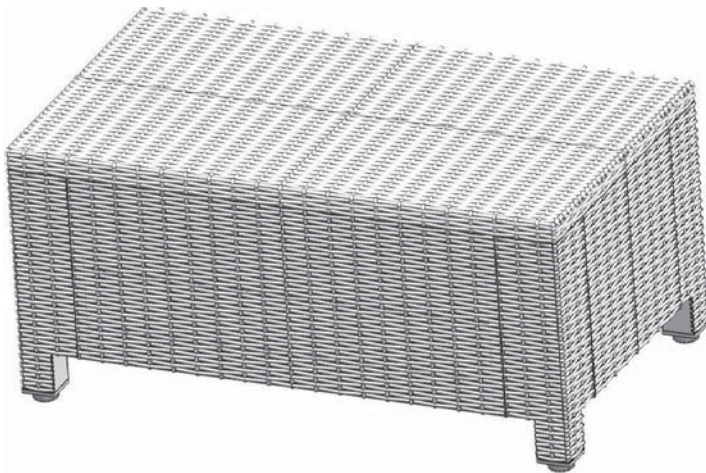
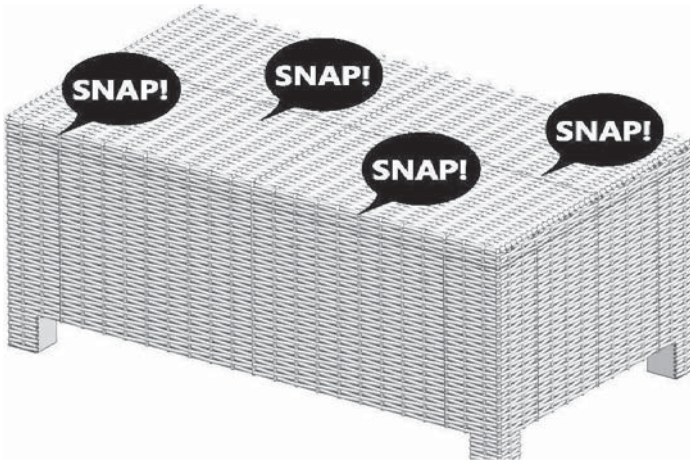
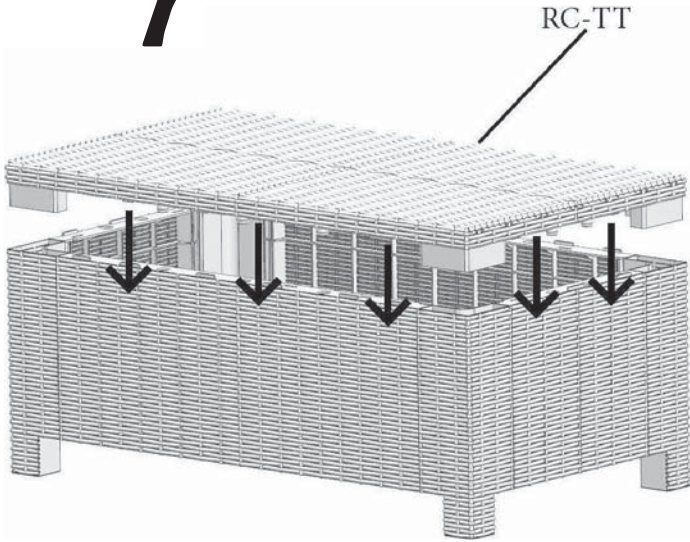


5



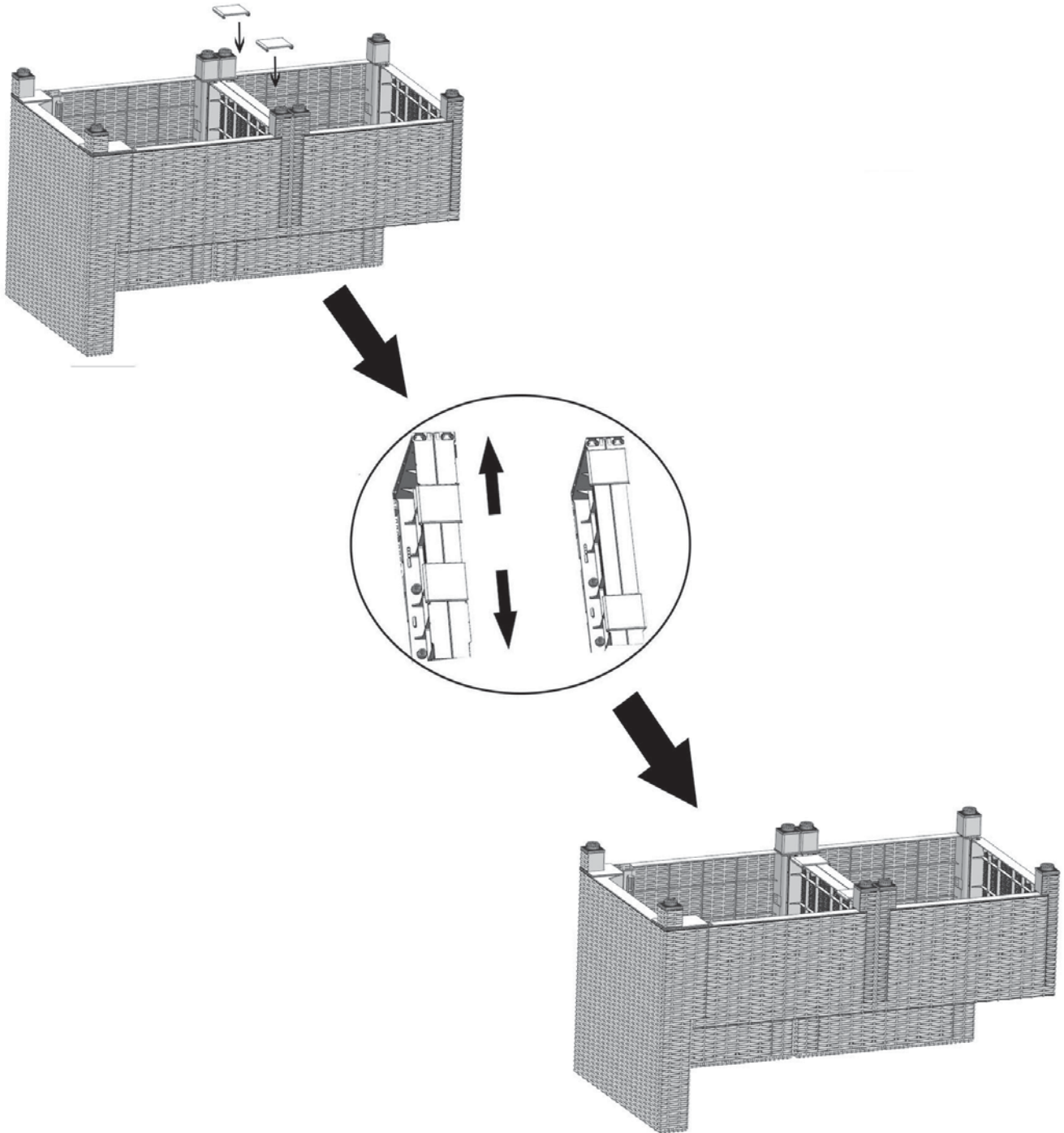
*Patent pending

7



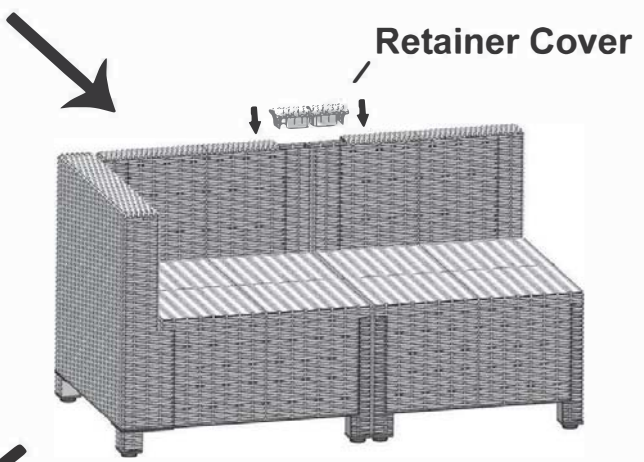
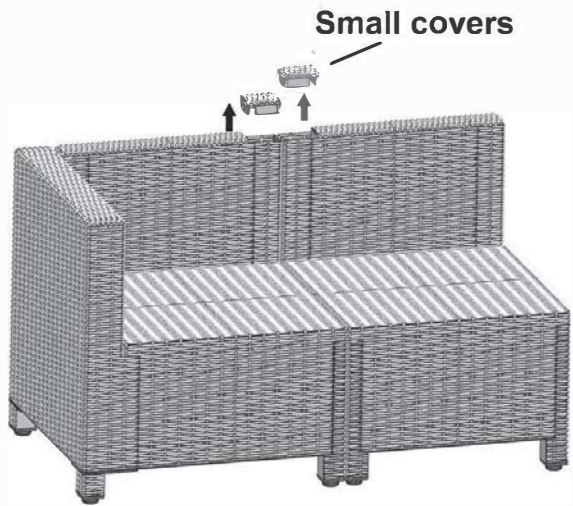
CLIP ASSEMBLY

If you need to keep all assembly together , use the clips to assemble.
Please see as below:



RETAINER COVER ASSEMBLY

In order to retain/combine 2 chairs together, please remove the small covers as shown and replace it with a "Retainer Cover"



Replace small covers with the retainer cover in these places as required.



*Patent pending