

Product data sheet (PDF)

Axor Montreux Rim-Mounted Tub Filler w/Lever Handles

Description

- Solid brass
- Handshower: Full Spray with AIR-injection
- 90-degree ceramic cartridge
- Diverter for 1/2" handshower outlet
- 50" Metal hose
- Flow rate 5.8 GPM @ 44 PSI
- ADA Compliant

Compliance

Finishes

Part no.

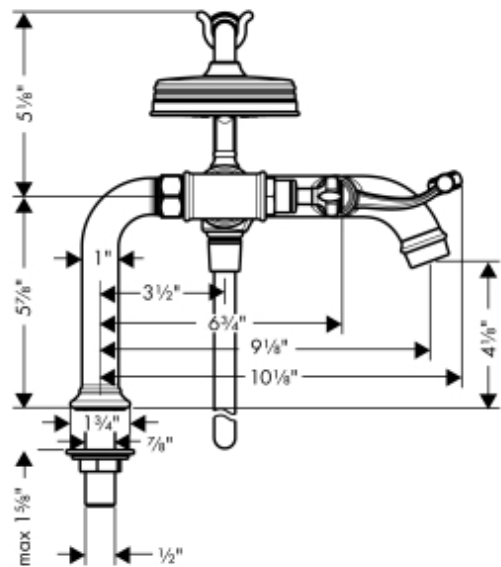
List Price

Finishes	Part no.	List Price
Chrome	16552001	\$ 1,638.00
Brushed Nickel	16552821	\$ 2,372.00
Polished Nickel	16552831	\$ 1,971.00

Product image



Scale drawing



Product data sheet (PDF)

Axor Montreux Rim-Mounted Tub Filler w/Lever Handles

Description

- Solid brass
- Handshower: Full Spray with AIR-injection
- 90-degree ceramic cartridge
- Diverter for 1/2" handshower outlet
- 50" Metal hose
- Flow rate 5.8 GPM @ 44 PSI
- ADA Compliant

Compliance

Finishes

Part no.

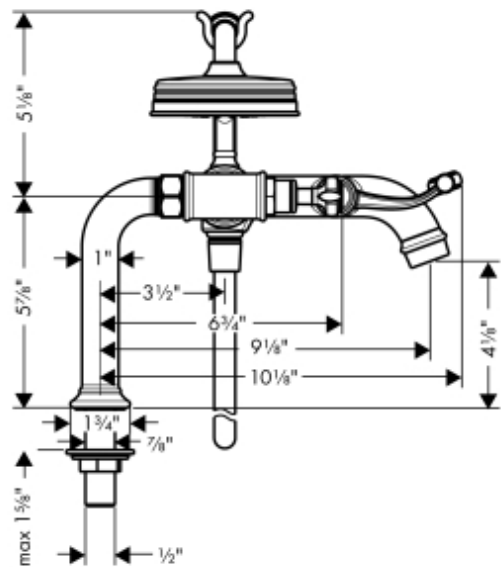
List Price

Finishes	Part no.	List Price
Chrome	16552001	\$ 1,638.00
Brushed Nickel	16552821	\$ 2,372.00
Polished Nickel	16552831	\$ 1,971.00

Product image



Scale drawing



Product data sheet (PDF)

Axor Montreux Rim-Mounted Tub Filler w/Lever Handles

Description

- Solid brass
- Handshower: Full Spray with AIR-injection
- 90-degree ceramic cartridge
- Diverter for 1/2" handshower outlet
- 50" Metal hose
- Flow rate 5.8 GPM @ 44 PSI
- ADA Compliant

Compliance

Finishes

Part no.

List Price

Finishes	Part no.	List Price
Chrome	16552001	\$ 1,638.00
Brushed Nickel	16552821	\$ 2,372.00
Polished Nickel	16552831	\$ 1,971.00

Product image



Scale drawing

