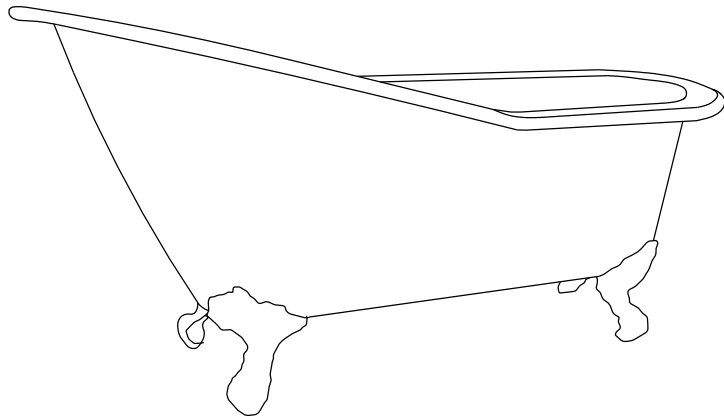
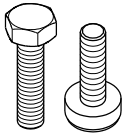

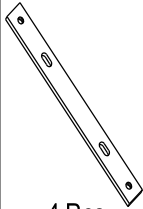
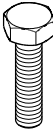

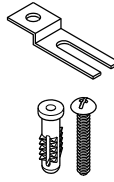


Acrylic Bath Tub Installation



Parts:

Bolts	Washer & Metal Washer	Bar	Bolt (installed on tub already)	Nut & Washers (installed on tub already)	"S" bracket & Mounting Screw & Anchor
					
8 Pcs	8 Pcs	4 Pcs	4 Pcs	4 Pcs	4 Pcs

www.kingstonbrass.com
 TOLL-FREE CUSTOMER SERVICE: 1-877-2-KBRASS
 TECHNICAL SUPPORT E-mail: service@kingstonbrass.com
 12775 Reservoir Street, Chino, CA91710

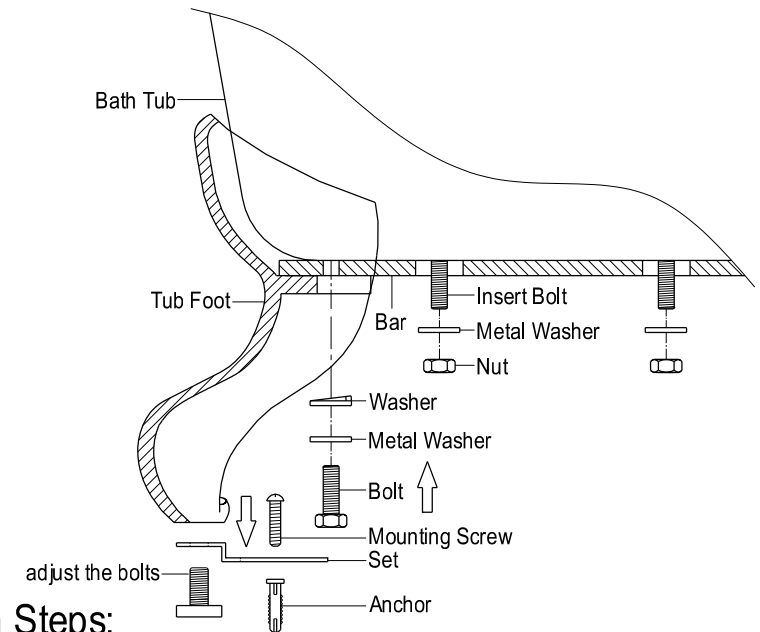
TOOLS REQUIRED



Adjustable Wrench



Rubber Mallet



Installation Steps:

- Step 1. Turn tub over and set on non-abrasive mat, loosen the nuts and washers secured on the insert bolts of the tub..
- Step 2. Install the feet onto the metal bars using the included hardware. Insert bolt into metal bar and insert into tub foot. Secure the foot using the two washers and nut with a wrench. Repeat for remaining feet.
- Step 3. Align the holes of the bar with the insert bolts and place the bar onto the bolts. Install the metal washer and nut to the bolt and secure tightly with the wrench.
- Step 4. Insert metal "S" bracket into adjustment bolt and thread bolt to the bottom of each tub foot.
- Step 5. Make sure all bolt and nuts are tightened on the tub feet and bar.
- Step 6. Turn tub over carefully as not to damage finish or flooring surface.
- Step 7. Once tub has been properly positioned and you are positive it will not be moved, Swivel the attachment "S" brackets into the desired position, these brackets are designed to secure the tub to the floor, and they can be swiveled to any position, insert anchors if needed.
- Step 8. Use adjustment bolts to level tub and insure a wobble free installation.

Cleaning

Clean with a damp cloth only.
 Avoid using metal or abrasive polishes.