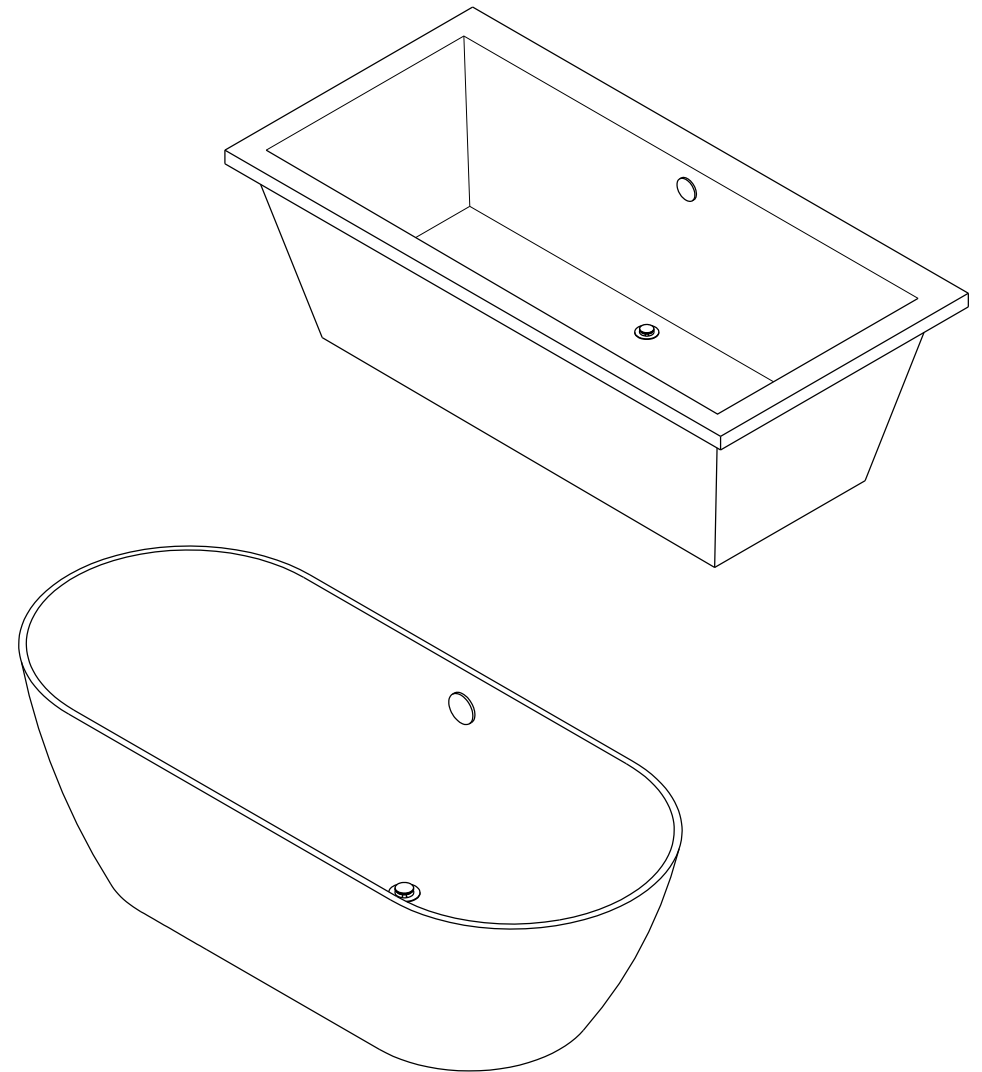


KINGSTON BRASS

THE TRADITION OF FINE BRASS



www.kingstonbrass.com

TOLL-FREE CUSTOMER SERVICE: 1-877-2-KBRASS

TECHNICAL SUPPORT E-mail: service@kingstonbrass.com

12775 Reservoir Street, Chino, CA91710

INSTALLATION INSTRUCTIONS
For Use With KB's Acrylic Tub with or without Drain

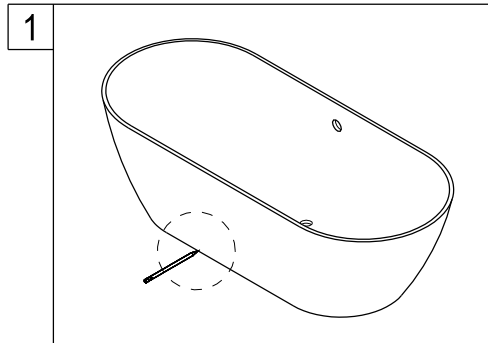
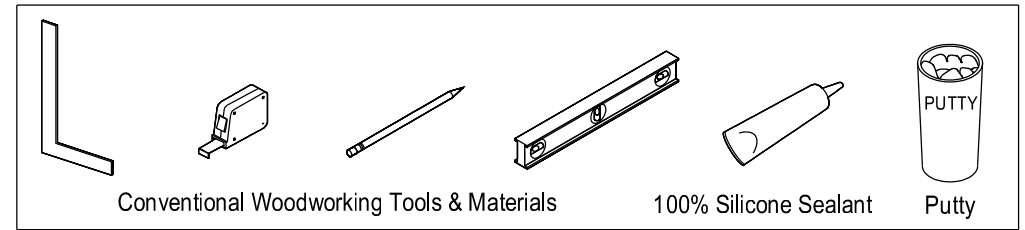
Caution

This bathtub is heavy. Get help lifting and moving this tub. Read all instructions thoroughly before starting the installation.

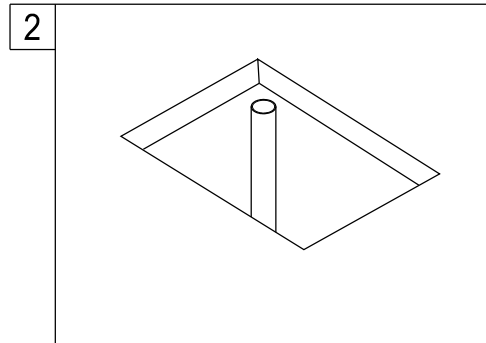
Important Points to Remember:

1. Provide adequate floor support.
2. Make sure the subfloor is level. Provide drain access from below. Provide access to all plumbing connections. Observe local building and plumbing codes.

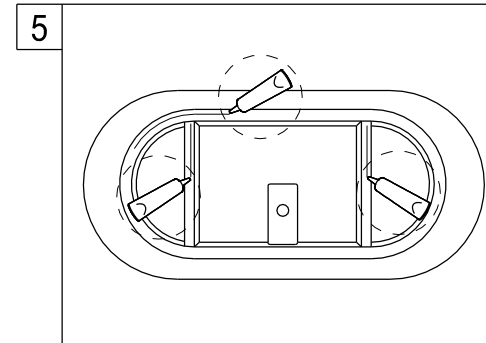
Need Tools:



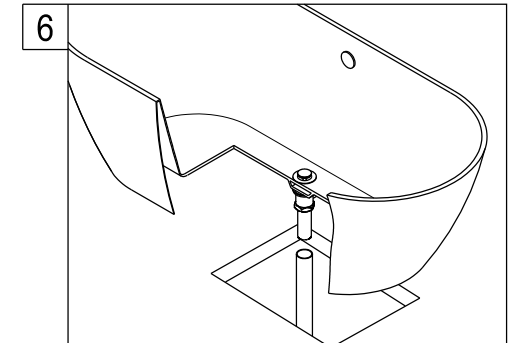
1. Clean, level, and prepare the floor for installation. Place the unit in the exact installed position on the floor and trace the outline of the bath with a pencil or any erasable marking.



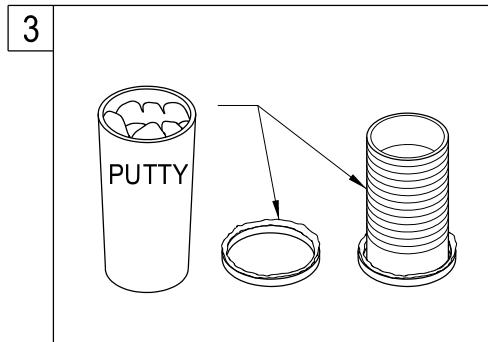
2. Determine the location of the drain pipe, on the floor by taking measurements of the drain and waste location underneath the unit.
Note: Drain and waste locations will vary by model. Using a blanket, cardboard, or other clean protective surface, turn the unit on its side so that the unit is properly supported during drain installation.



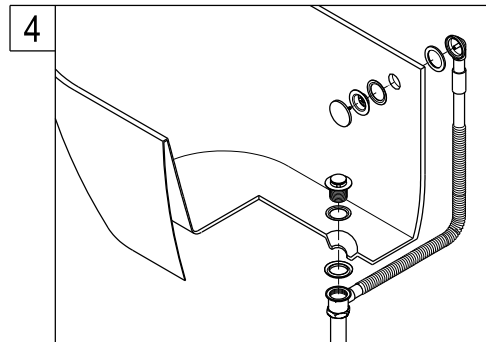
5. Apply a generous bead of adhesive or silicone to the bottom of the tub supports. Then apply a bead of tub and tile caulk around the edge of the base.



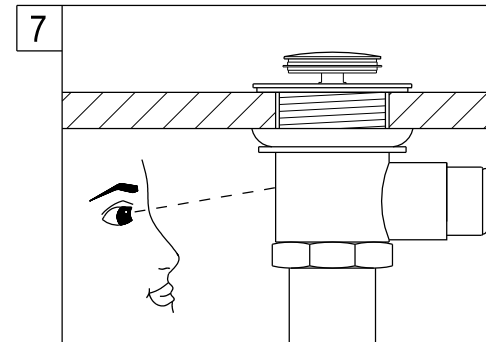
6. Carefully set tub into position and connect the drain hardware (previously installed). Finish the installation of the tailpiece installation.



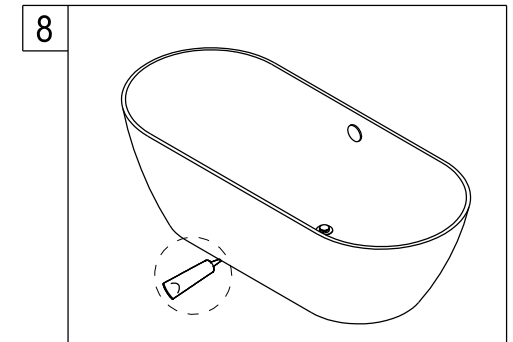
3. Clean the drain hole area in preparation of setting the drain. The area should be dry and free of any debris. Apply a bead of clear silicone or plumbers putty around the Drain Body and pass it through the drain hole. Apply plumbers putty to the Washer and slide it over the bottom of the Drain Body.



4. Refer to clawfoot tub drain installation recommended by manufacturer.



7. Fill the tub with water to the overflow and then drain the tub while inspecting the waste connections below the floor for leaks. Access from below will be necessary for this step.



8. With the bathtub now in place, wipe off any excess tub and tile caulk and adhesive where the tub meets the floor. Run a bead of tub and tile caulk around the bottom edge of the bathtub where it meets the floor. Wipe off any excess caulk with a wet cloth.

Cleaning

Clean with a damp cloth only.
Avoid using metal or abrasive polishes.