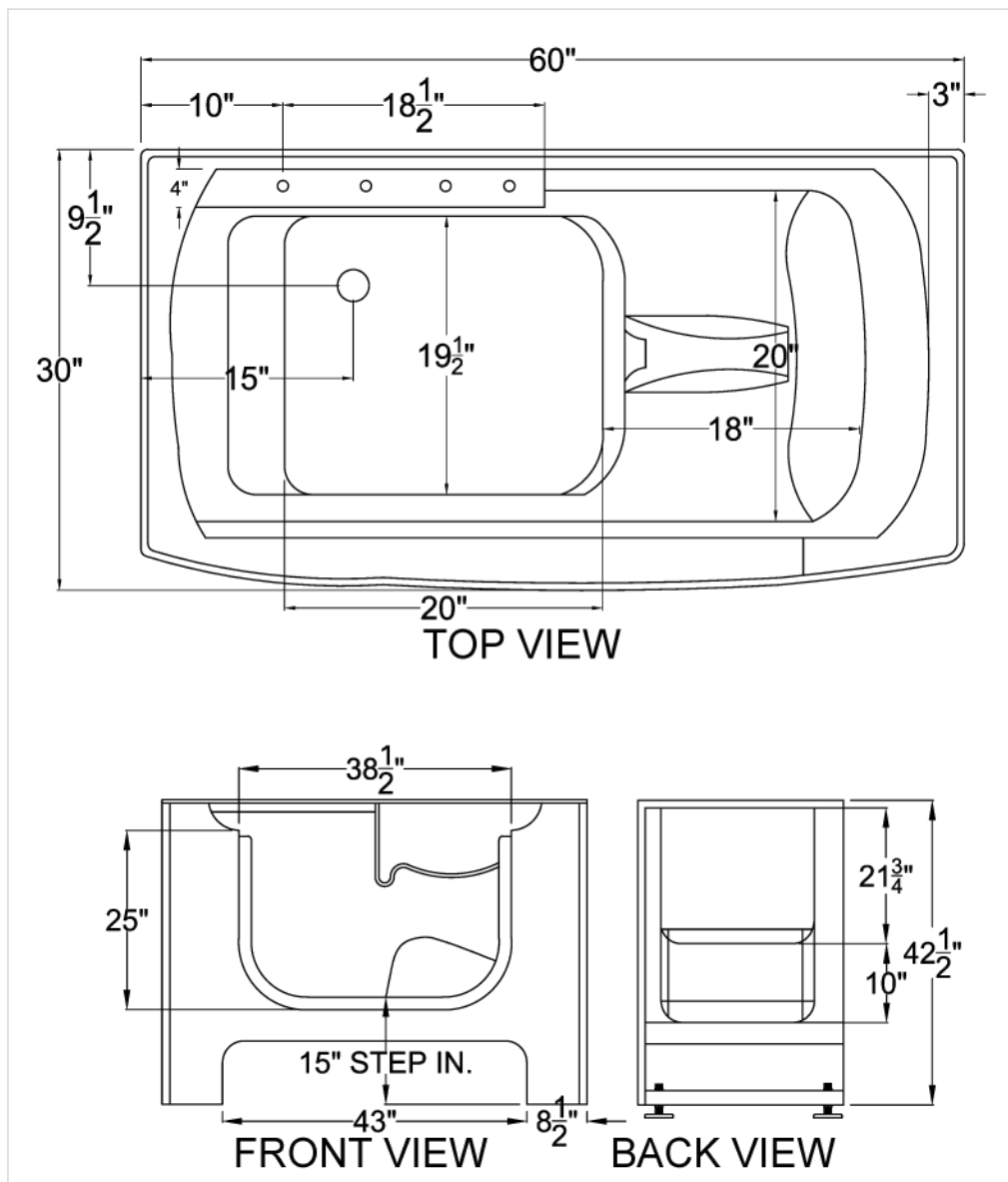




## 3060WCA<sup>&</sup>

**WHEELCHAIR-ACCESSIBLE • TILE FLANGE NOT INCLUDED**

Meditub's 30x60WCA (Wheelchair Accessible) Slide-In Tub is constructed of the highest grade fiberglass composites with a triple gel coat finish for beauty and durability. The 30x60WCA Slide-In Tub is perfect for new construction and retro fitting because of its industry standard size. It comes with a stainless steel frame for a long lasting strength and adjustable feet for easy installation and leveling.



### UNIT COLORS:

- white
- biscuit

### TRIM COLORS:

- chrome
- color-matched

### OPTIONS:

- soaker
- air therapy
- hydro therapy
- dual therapy

### ACCESSORIES:

- chromatherapy
- aromatherapy
- autodrain

### DOOR / DRAIN SIDE OPTIONS:

- left
- right

Available Colors.....	White / Biscuit	Air System Available .....	Yes
Material .....	Gelcoat	Hydro System Available .....	Yes
Door Swing .....	Outward	Dual System Available .....	Yes
Enclosed on three sides.....	Yes	Non Slip Floor .....	Yes
Dimensions.....	30(W)x60(L)x42(H)	Faucet Deck .....	Yes
Seat .....	Yes	Capacity .....	80Gal
Seat Height .....	21"	Unit Weight .....	311Lbs
Seat Contoured.....	Yes	Approx Shipping Weight.....	331Lbs