

G i a g n i

Owner's Manual & Installation Guide Contemporary Faucets

Note: Read all instructions before proceeding with installation.

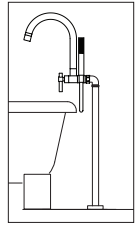
All specifications are subject to change without notice.

Table of Contents:

Installing a Floormount Faucet	1
Installing a Wallmount Faucet.....	4

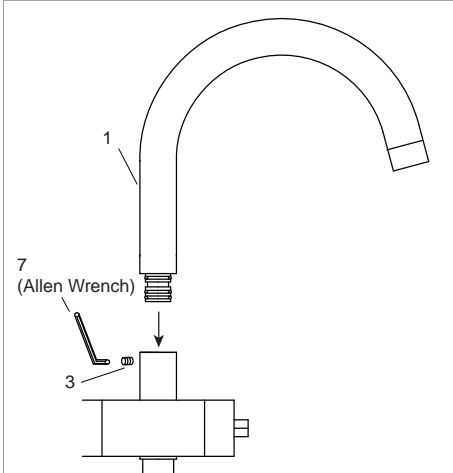
NOTE: Due to the complexities of this installation a professional plumber is required.

CONTEMPORARY FLOOR MOUNT TUB FAUCET

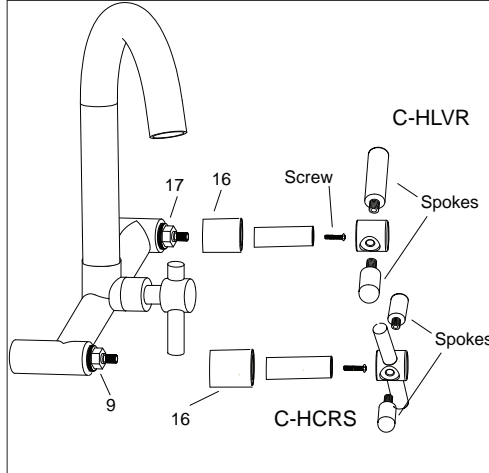


Notes:

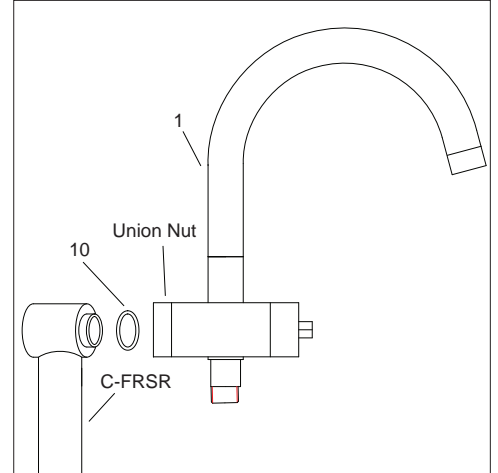
1. Faucet is not for use on concrete floors.
2. Please ensure all local plumbing codes are observed during installation
3. Water supply lines must be roughed in on 8" centers.



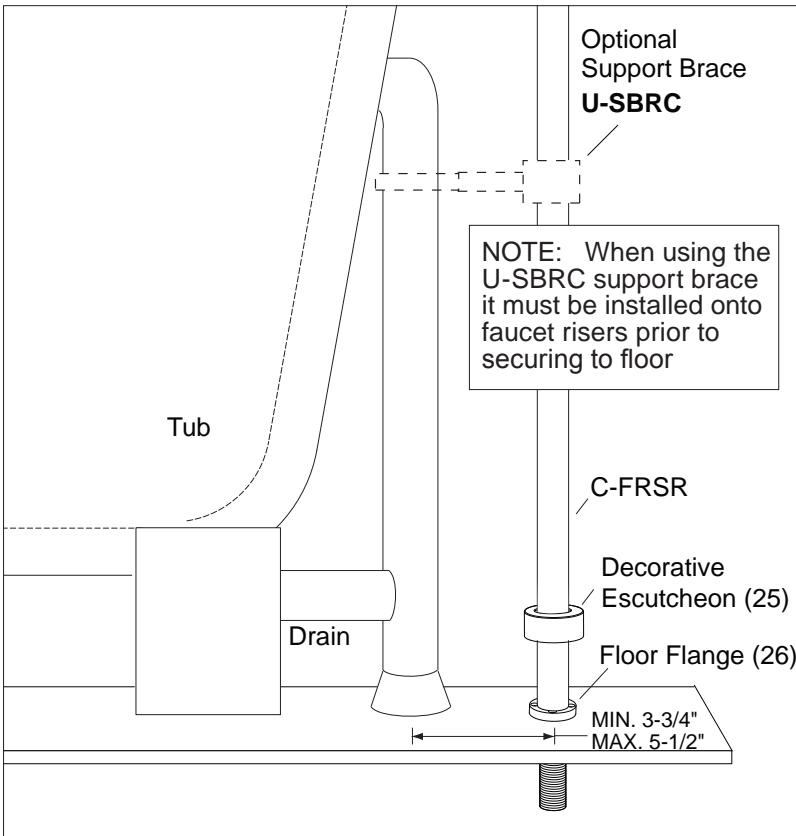
Step 1 Install #1 spout into faucet body by pushing straight down. Align spout facing forward then tighten with #3 allen screw (packaged separately with #7 allen wrench). Do Not Over Tighten.



Step 2 Screw #16 handle hub onto hot/cold cartridges #9 & #17. Disassemble handle by unscrewing spokes and install onto cartridge by securing with screw included. Reassemble handle.



Step 3 Attach hot and cold risers C-FRSR to union nuts on back of faucet body using one #10 rubber gasket on each riser.



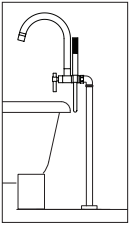
Step 4- Drill (2) 1-1/8" holes into floor on 8" centers for hot and cold water supplies (see fig. 5 next page). Supply holes should be drilled at 3 3/4" minimum to 5 1/2" maximum from drain outlet (center to center).

Step 5- If desired, attach U-SBRC support bracket to risers. See page 4. (*Tub model LCAT-167 does not have an exposed drain so support brace will not be used*)

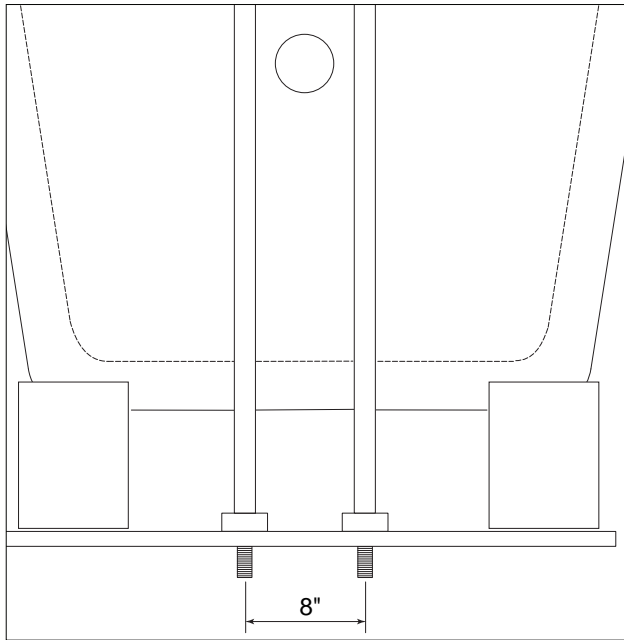
Step 6- Slide #25 decorative escutcheon onto bottom of risers C-FRSR and push part way up. Screw #26 floor flange onto threaded portion of each riser until it stops.

Step 7- Insert risers into hole in floor and secure floor flanges with appropriate screws/bolts for your flooring type. (Hardware not included)





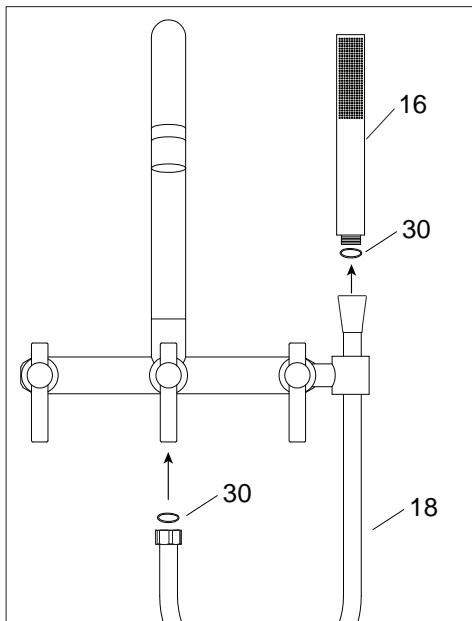
CONTEMPORARY FLOOR MOUNT TUB FAUCET (cont.)



Step 8- Slide #25 decorative escutcheon down to cover floor flange.

Step 9- Tighten optional support bracket to risers and drain

FIGURE 5 Supply line spacing



Step 10- Attach small end of #18 handshower hose with #30 washer to outlet below diverter faucet handle.

Step 11- Attach large end of #18 hand shower hose to #16 handshower with #30 washer and place in holder.

Step 12- Connect preferred 1/2" pipe (supplied by installer) into female threaded riser C-FRSR from under flooring. Make hot/cold water connections. Turn on water and check all connections for leaks.

SUPPORT BRACKET INSTALLATION (for floormount faucets)

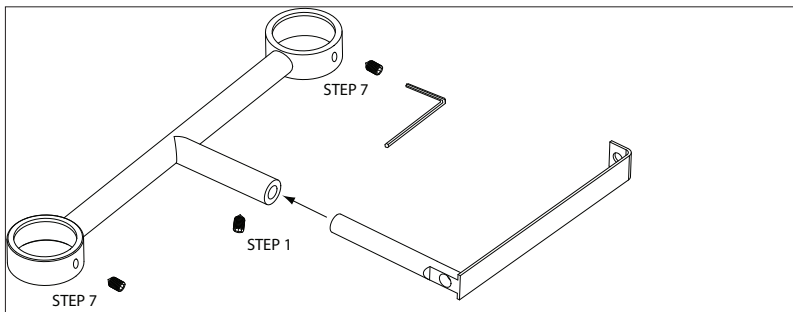


FIGURE 1 Bracket Assembly

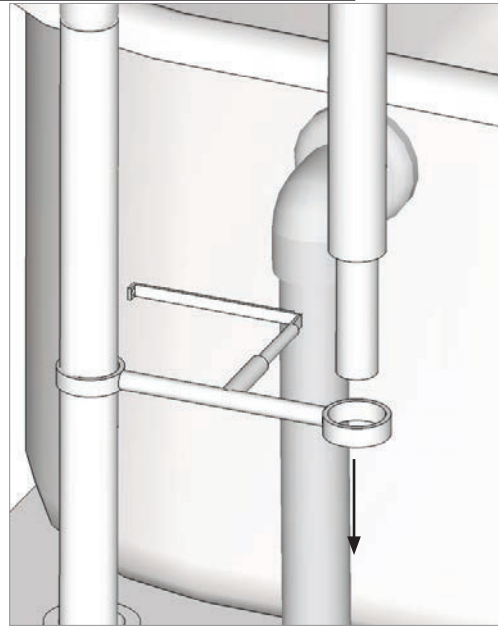


FIGURE 2 & 3 Slide Bracket

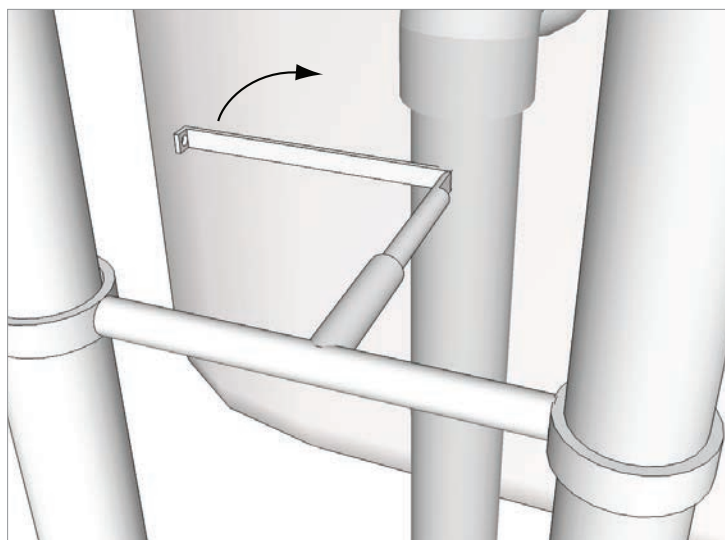
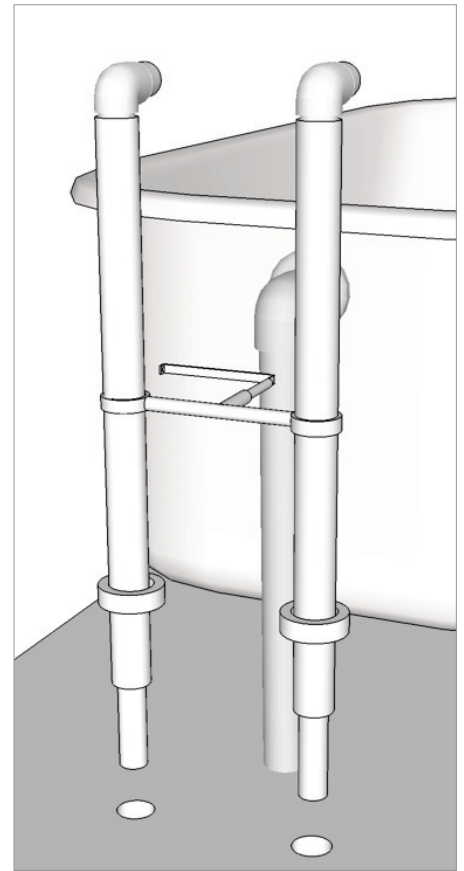


FIGURE 4 Bend Strap

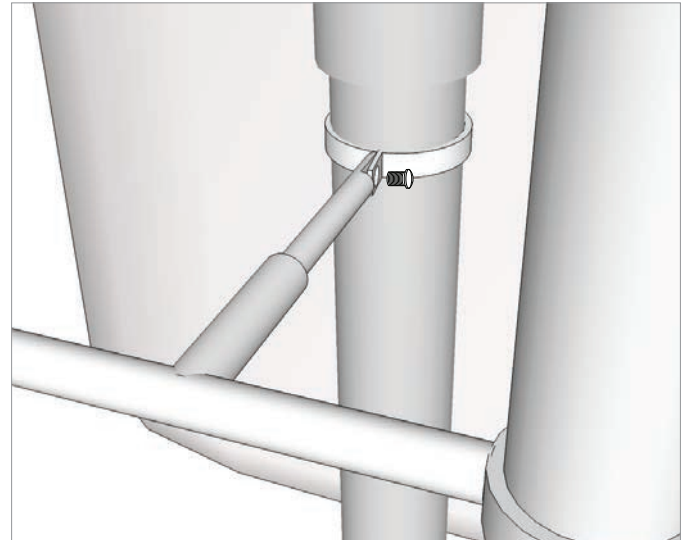
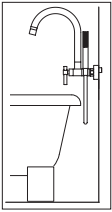


FIGURE 5 Secure Strap

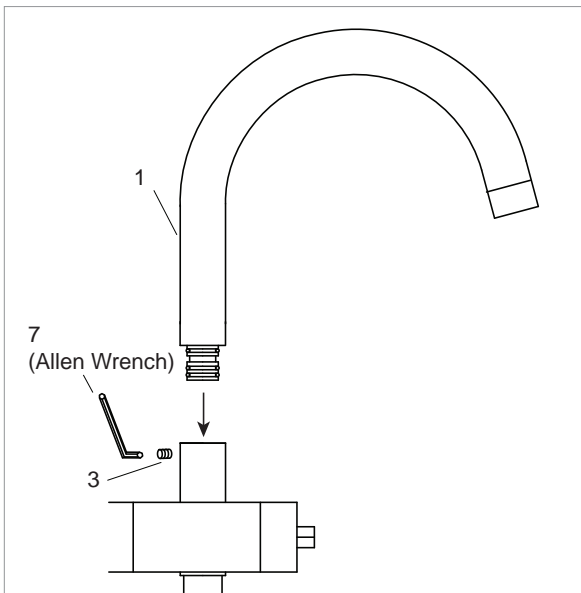
1. Assemble bracket as shown.
2. Slide support bracket onto risers before decorative escutcheons.
3. Bend metal strap around drain to create a clamp. Secure with screw provided. Recommended height is just below drain overflow.
4. Proceed with step 6 of faucet installation.



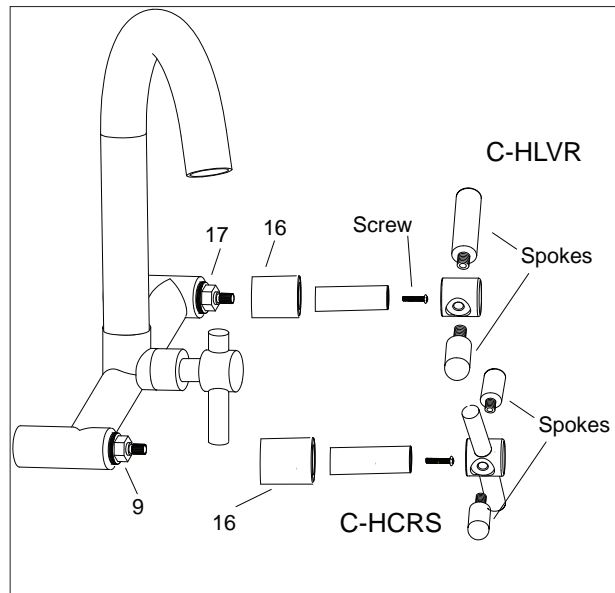
CONTEMPORARY WALL MOUNT TUB FAUCET

Notes:

1. Please ensure all local plumbing and building codes are observed when installing these faucets.
2. Mounting location depends on tub design and location. Be sure to identify tub height when determining faucet location.
3. There must be a minimum of 2" gap between top of tub rim and bottom of the faucet spout to comply with plumbing codes.
4. Water supply lines must be roughed in on 8" centers.

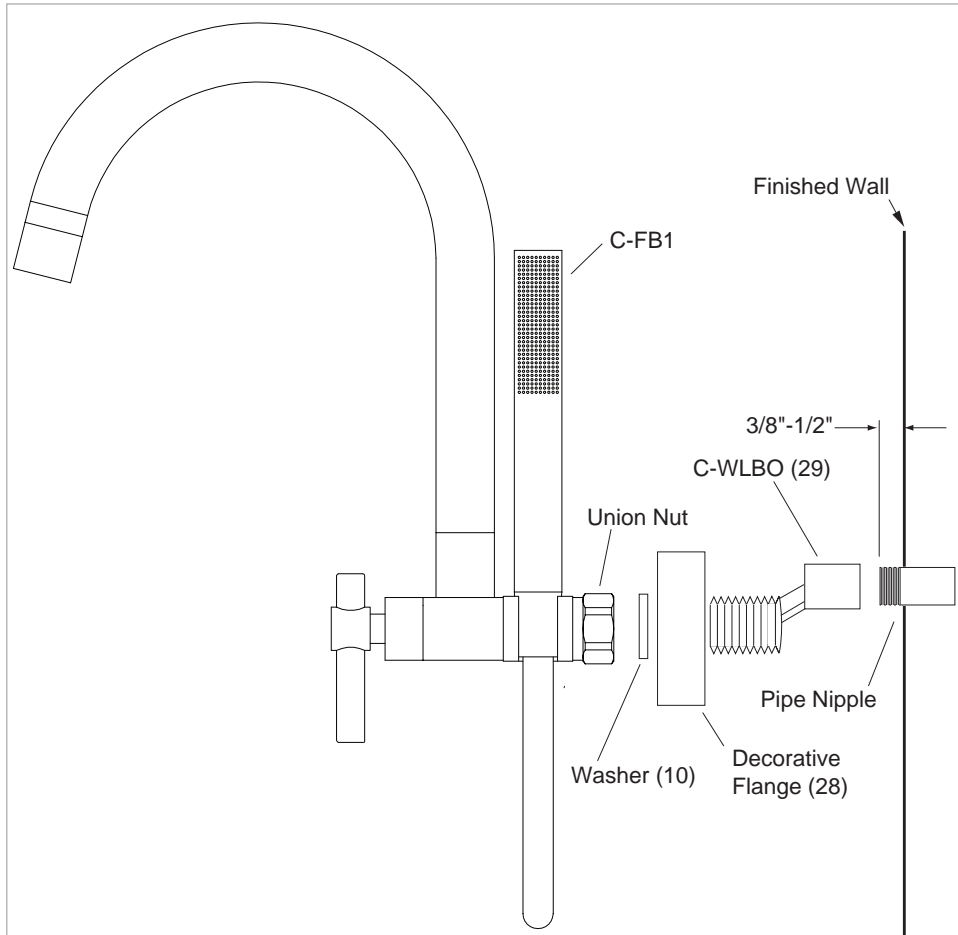
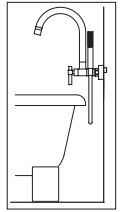


Step 1- Install #1 spout into faucet body by pushing straight down. Align spout facing forward then tighten with #3 allen screw (packaged separately with #7 allen wrench). Do Not Over Tighten.



Step 2- Screw #16 handle hub onto hot/cold cartridges #9 & #17. Disassemble handle by unscrewing spokes and install onto cartridge by securing with screw included. Reassemble handle.

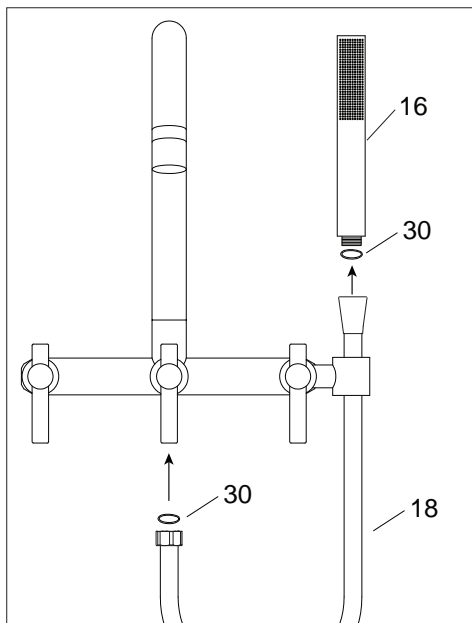
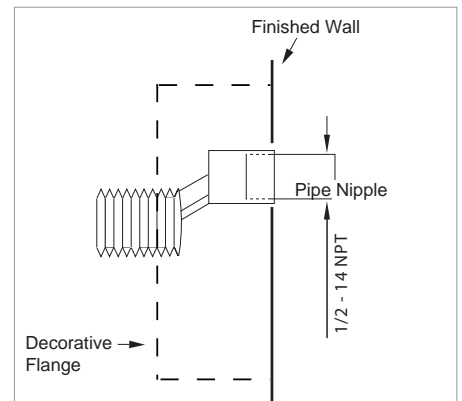
CONTEMPORARY WALL MOUNT TUB FAUCET (cont.)



Step 3: Rough-in #29 C-WLBO flush to finished wall. Hot/Cold supplies should be roughed in on 8" centers and 1/2" pipe should extend 3/8" to 1/2" beyond the finished wall.

Step 4: Screw #28 decorative flange included with C-WLBO onto rough portion of #29.

Step 5: Attach faucet to wall by screwing the union nuts onto the C-WLBO wall elbows with #10 washers.



Step 6- Attach small end of #18 handshower hose with #30 washer to outlet below diverter faucet handle.

Step 7- Attach large end of #18 hand shower hose to #16 handshower with #30 washer and place in holder.

Step 8- Turn on water and check all connections for leaks.

Contact information

Giagni

550 South Columbus Avenue
Mount Vernon, New York 10550

Phone: 888-560-5222

Fax: 888-560-8727